



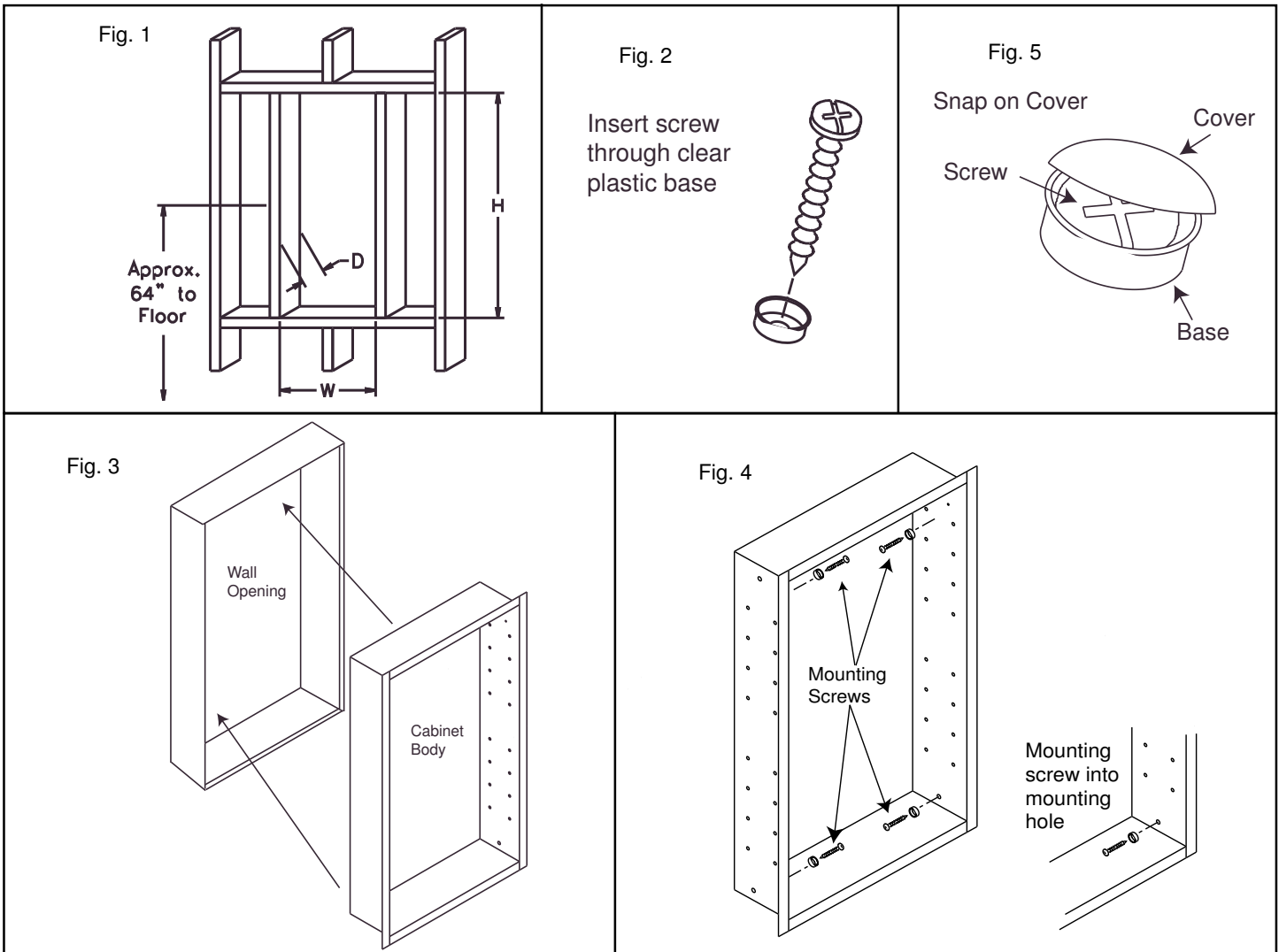
MODEL: 52WH244P, 52WH244PF,
52WH244DP, 52WH246DP,
52WH244DPF, 52WH246DPF
RECESSED MOUNTED, STEEL
MEDICINE CABINETS

INSTALLATION INSTRUCTIONS

MODEL NO.	WALL OPENING			OVERALL SIZE		
	W	H	D	W	H	D
52WH244P	14 ¹ / ₄	24	4	15	25	5
52WH244PF	14 ¹ / ₄	24	4	15	25	5
52WH244DP	14 ¹ / ₄	24	4	15	25	5
52WH246DP	14 ¹ / ₄	24	6	15	25	7
52WH244DPF	14 ¹ / ₄	24	4	15	25	5
52WH246DPF	14 ¹ / ₄	24	6	15	25	7

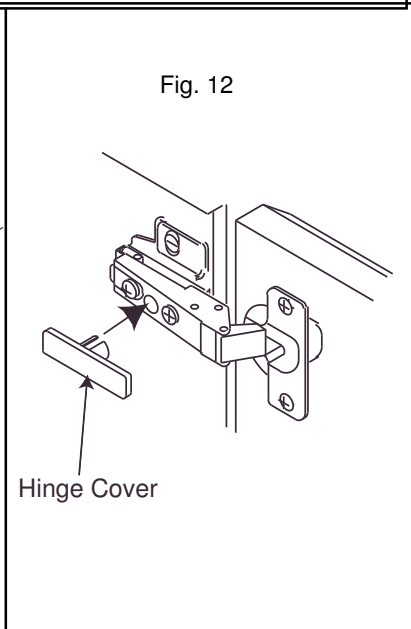
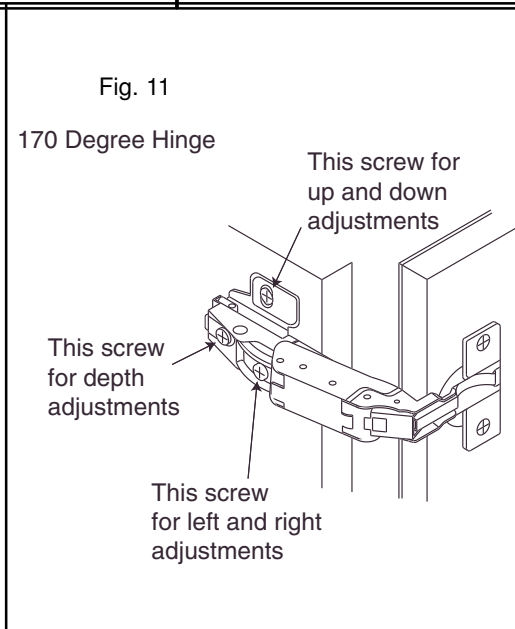
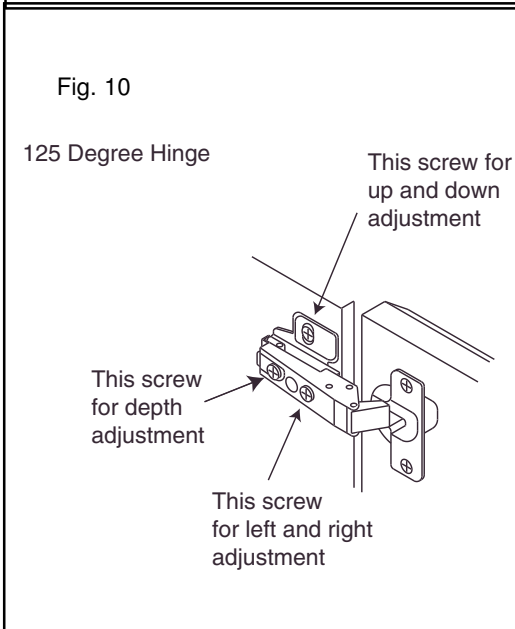
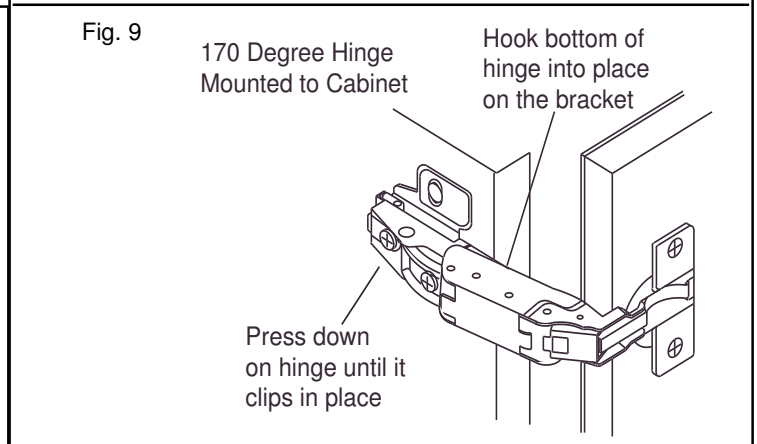
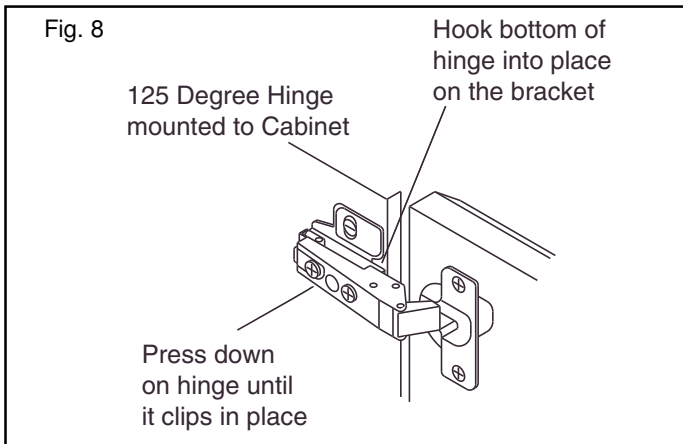
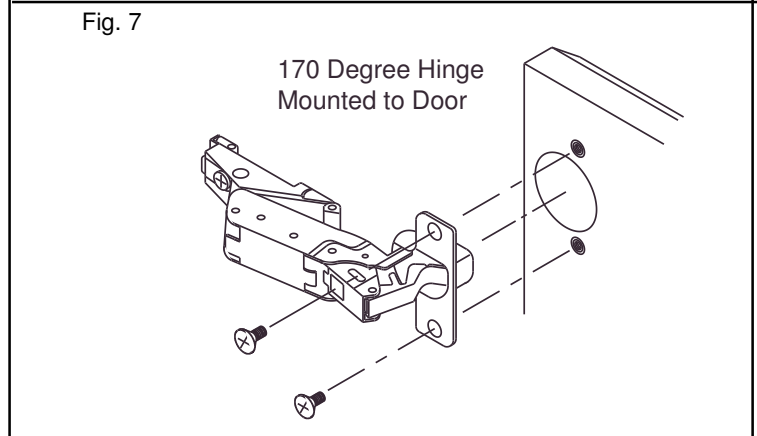
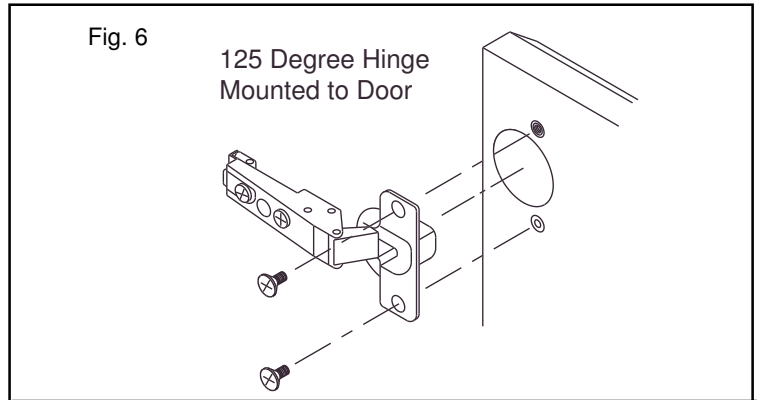
INSTALLATION of CABINET

- Carefully remove all packing material. Place hardware packages, shelves and door aside until needed. Hardware and shelves are located in the fillers identified by "Hardware enclosed" tape.
- Determine desired location of cabinet on wall. Mark wall to show wall opening size (see dimension chart). Generally, the recommended height to the center of the cabinet is 64" from the floor. (Fig. 1)
- CAUTION: Wall studs, plumbing or electrical lines that interfere must be removed or relocated. Cut wall opening, being careful not to damage the surrounding wall surface. Insert framing to support all plaster board edges.
- Prepare the mounting screws by placing the screws into the clear plastic bases. (Fig. 2)
- Note: For ease of installation, an additional person is recommended. Insert cabinet into wall opening. (Fig. 3) Ensure the cabinet is plumb and level. If necessary use a carpenter's level and shim corners of cabinet. Secure to wall studs through the four (4) mounting holes inside cabinet, using the screws that have been placed into the plastic bases. (Fig. 4) Do not over tighten the mounting screws as the body side wall may bend and prevent proper shelf installation. Only tighten screws until they are flush with the body.
- Snap the screw covers over the screw bases. (Fig.5)



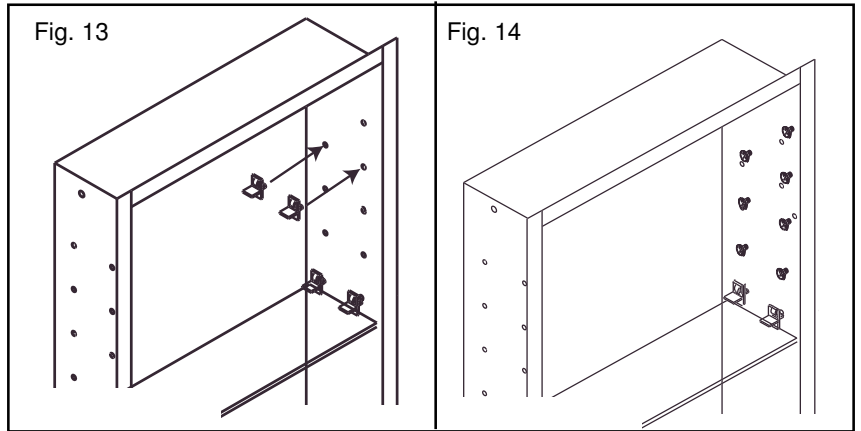
INSTALLATION of DOORS

1. Remove hinges and screws from hardware bag. Mount hinge unit on door as shown in Fig. 6 and Fig. 7 securing with screws provided.
2. Install the door by inserting door side of the hinge into the bracket on the body as shown;
 - A) 125 degree hinge
Insert door side of clip hinge as shown in Fig. 8
 - B) 170 degree hinge
Insert door side of clip hinge as shown in Fig. 9
3. Check door for proper alignment. If the door needs to be adjusted please refer to the adjustment procedures in Fig. 10 and Fig. 11. Door edges should be aligned with the edges of the body and should fit evenly to the face of the body.
4. 125 degree hinge only: Snap on hinge cover plate. (Fig. 12)



INSTALLATION of SHELVES, HOLE PLUGS AND BUMPERS

1. Select where you want the shelves to be placed.
2. Insert two (2) shelf brackets at each end of the shelf location. (Fig. 13)
3. Set shelves in place on the shelf brackets, pressing down on shelf to lock in place. (Fig. 13)
4. Remove hole plugs from hardware bag and place in remaining holes. (Fig. 14)
5. Remove bumpers from hardware bag and position to body. (Refer to Service Parts Drawing - Key No. 9 for bumper locations)



MIRROR CARE

- Use only clean warm water and a clean, soft, lint-free cloth.
- DO NOT USE cleaners that contain solutions of ammonia, vinegar, or chlorine.
- DO NOT USE powdered cleansers or steel wool.
- Never spray cleaning agent directly on mirror, especially on exposed edges and mirror backing. Apply cleaner to soft cloth and wipe mirror. Dry mirror thoroughly.
- Keep mirror dry. A well ventilated bath room is important.