

BROAN

MODEL: 323LP, 327LP, 399-351
SURFACE MOUNT, STEEL
MEDICINE CABINETS

INSTALLATION INSTRUCTIONS

Model Number	Overall Size		
	W	H	D
323LP	24	19 ¹ / ₂	7 ¹ / ₂
327LP	28	19 ¹ / ₂	7 ¹ / ₂
399-351	24	19 ¹ / ₂	7 ¹ / ₂

MIRROR CARE

- Use only clean warm water and a clean, soft, lint-free cloth.
- DO NOT USE cleaners that contain solutions of ammonia, vinegar, or chlorine.
- DO NOT USE powdered cleaners or steel wool.
- Never spray cleaning agent directly on mirror, especially on exposed edges and mirror backing. Apply cleaner to soft cloth and wipe mirror. Dry mirror thoroughly.
- Keep mirror dry. A well ventilated bath room is important.

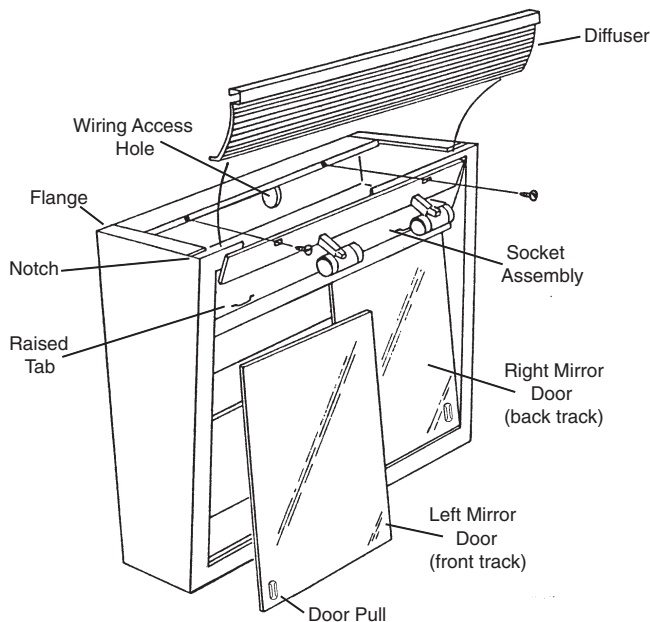


Fig. 2 All electrical connections must be made in accordance with local code ordinances. If you are unfamiliar with methods of installing electrical wiring, secure the services of a qualified electrician.

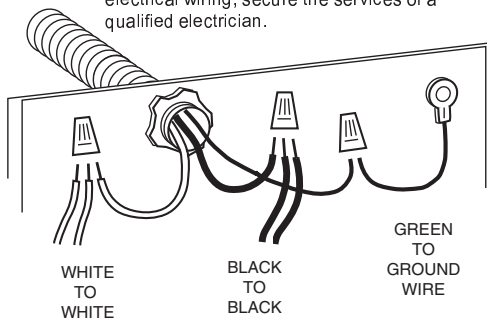


Fig. 3

Door Pull Placement
Mirror Side

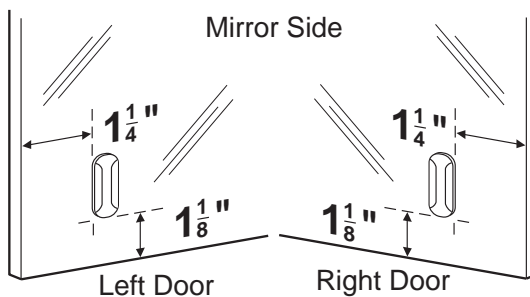
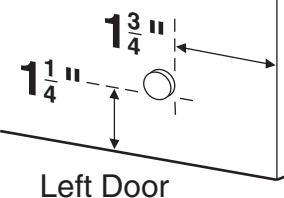


Fig. 4

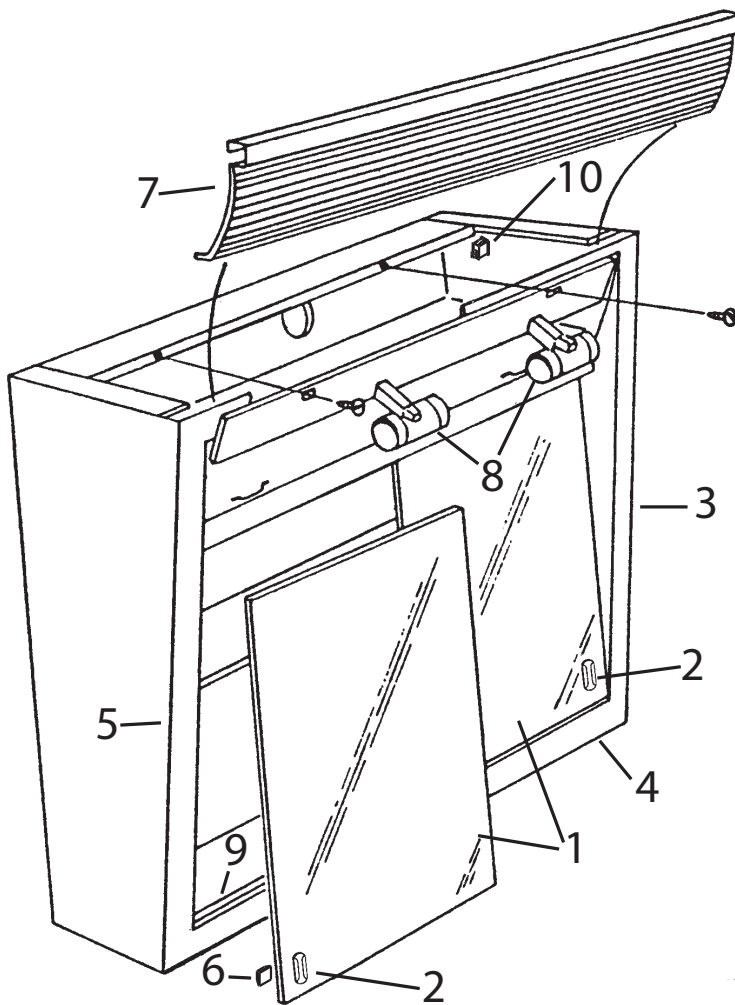
Door Bumper Placement

Back Side



INSTALLATION

1. Position cabinet on wall, making sure it is level.
2. Mark wiring access hole and mounting hole locations through back of cabinet and onto wall material. Set cabinet aside. Cut wiring access holes in wall material. Pre-drill mounting holes if necessary.
3. Re-position cabinet and secure it to wall studs through mounting holes in rear of cabinet. Use four screws (provided). If studs are not available, use 3/16" molly bolts or 3/16" wall anchors, depending on wall material.
4. CAUTION: Before wiring to the power supply, turn off electricity at fuse or circuit breaker box. Remove socket assembly and pull house wires through wiring access hole. Connect black to black, white to white and green to house ground. (Fig. 2) Replace socket assembly.
5. Install 60 W max. incandescent light bulbs (not included).
6. Insert diffuser through notches in sides of cabinet. Push diffuser down until it engages into raised tabs in cabinet body. Secure top of diffuser under flanges of cabinet ends.
7. Clean mirror side of doors thoroughly to prepare surface for self-adhesive door pulls.
8. Remove paper backing from door pulls and press them on to mirror side of doors at locations shown. (Fig. 3)
9. Clean back side of left mirror door at location shown in Fig. 4.
10. Remove paper backing from door bumper and press bumper on to back side of left door at location shown. (Fig. 4)
11. Insert right mirror door into top rear track, lift door to clear cabinet frame, and drop door into bottom rear track. Repeat for left mirror door into front tracks.



SERVICE PARTS

Key No.	Description	Part Number		
		323LP	327LP	399-351
1	Mirrors	2000	2023	2000
2	Handle, plastic	99111106	99111106	99111106
3	Trim, Right	A98010195	A98010195	A98010195
4	Trim, Bottom	A98010196	A98010197	A98010196
5	Trim, Left	A98010194	A98010194	A98010194
6	Bumper	99100485	99100485	99100485
7	Diffuser	6008	6009	6008
8	Socket	1507X	1507	1507X
9	Track, plastic	6108	6109	6108
10	Switch	99030247	99030247	99030247
	Receptacle	---	---	1505
	Mounting Screw #8 x 1 1/2"	**	**	**

**Standard hardware - maybe purchased locally.
 Order replacement parts by "PART NUMBER" - NOT by "KEY NO."