



INSTRUCTIONS FOR “SLIM LINE” SINGLE DOOR CABINETS

We appreciate your purchase of our AFINA “SLIM LINE” Bath Cabinet, and would like to provide you with the following helpful hints.

- For protection in shipping, the **GLASS SHELVES** for your cabinet have been neatly placed outside the cabinet body (top or bottom). They are clearly identified by a label marked “**GLASS SHELVES**”. Please look carefully and remove before installation.
- **SHELF PINS** are inside the cabinet in an envelope marked “**SHELF PINS**”.
- It is important to make sure the cabinet body is level and plumb upon installation. Use a leveling instrument to ensure accuracy, or the door may not close and/or secure itself properly.
- You can hang your new cabinet hinge left or hinge right just by turning the cabinet over.
- **IMPORTANT NOTE:** The door on the **SLIM LINE** cabinet is offset to one side. To make it center perfectly over your sink or vanity. We suggest you move your rough opening **width** dimension 5/8” towards the **hinge side** of the cabinet.
- When **RECESSING** the cabinet, use the two pre-drilled holes on each side of the cabinet interior. Screws are **not** supplied, as we do not know the type of material you are going into (i.e., wood studs, metal studs). Make sure the cabinet is level and plumb before securing into framing studs.
- When **SURFACE MOUNTING** – See separate **SURFACE MOUNTING INSTRUCTIONS** with your optional surface mount kit.
- When cleaning your new Afina cabinet, we recommend a mild cleanser, applied first to a rag or paper towel. Do not spray directly on to the mirror or frame.

We are confident your **AFINA** cabinet will reflect the quality and prestige you wish to convey in your home or business environment.

ASSEMBLY AND ADJUSTMENT

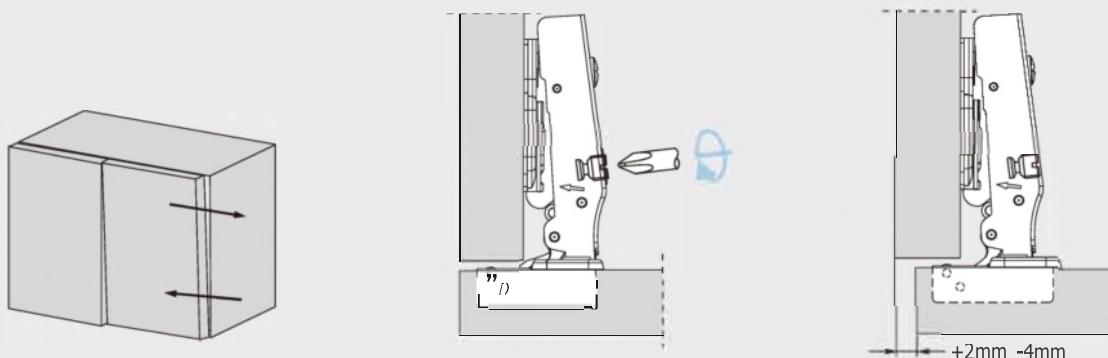
PIVOT-PRO Hinges Installation and Parameters



PLANNING

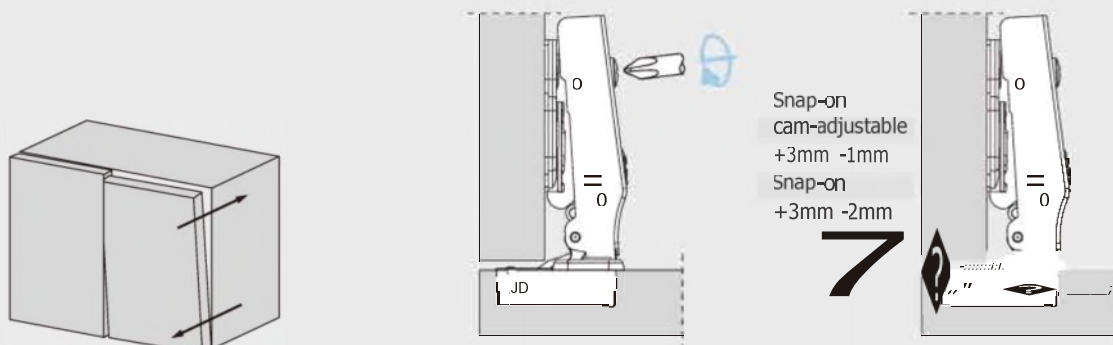
PIVOT-PRO side adjustment

Side adjustment of the door is made by using the indicated screw.



PIVOT-PRO depth adjustment

Depth adjustment is made without loosening any screw. The door can be moved in or out by rotating the cam adjuster on the hinge arm.



PIVOT-PRO height adjustment

By loosening the two fixing screws to allow the mounting plate to slide up or down, the door can be adjusted vertically by ± 2 mm. After retightening the screws, the depth adjustment is done.

