

Omega National

P R O D U C T S

Super Susan Installation

Installation Instructions

Step 1: Make sure the Detent in the steel bearing is engaged.



Step 2: Place the SSusan in the cabinet in the desired location



Step 3: Turn the SSusan to expose the corner of the base plate, making sure to apply enough downward pressure to disengage the detent while not allowing the base plate to turn.

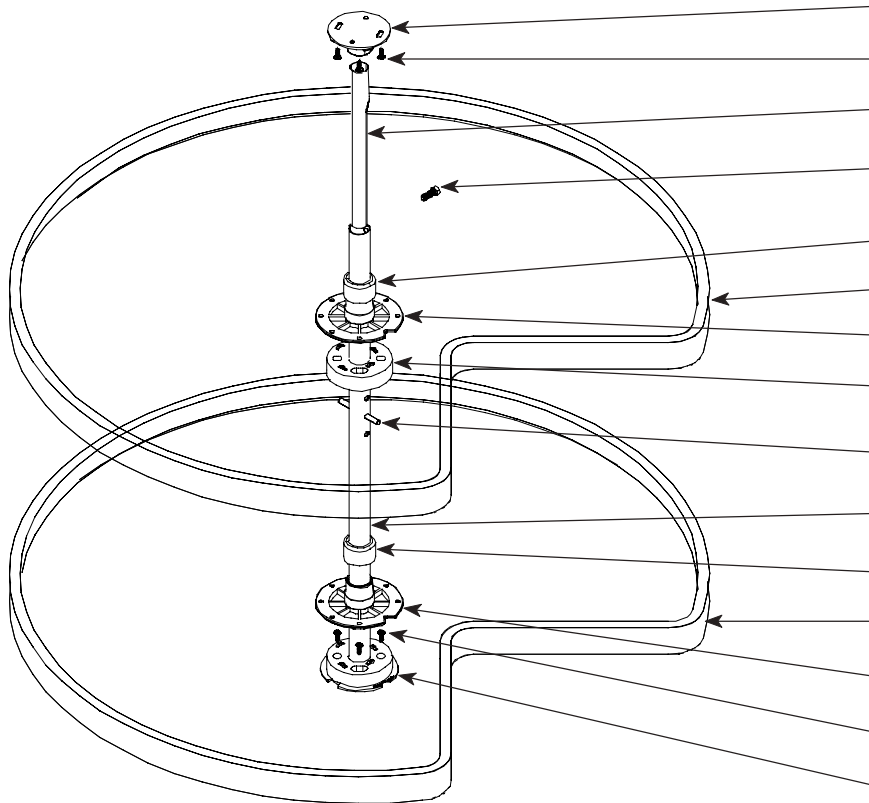


Step 4: Screw the SSusan down to the shelf (pre-drilling may be necessary) through the corner of the base plate. Repeat for the other 3 Corners.





Omega National
P R O D U C T S



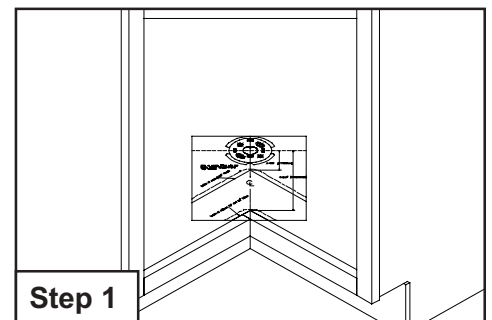
- Top Mount
- 4ea.: #8 X 1/2" Truss Head Screw
- Extension Pole
- Height Adjustment Screw
- Decorative Cap
- Wood Susan Shelf
- Pole-Susan Bearing
- Pole Mount Bearing Assembly
- Retaining Pin
- Center Pole
- Decorative Cap
- Wood Susan Shelf
- Pole-Susan Bearing
- 4ea.: #8 X 3/4" Truss Head Screw
- Base Mount Bearing

Meets **BHMA Class 1 Specifications**
Patents Pending

Important Notes

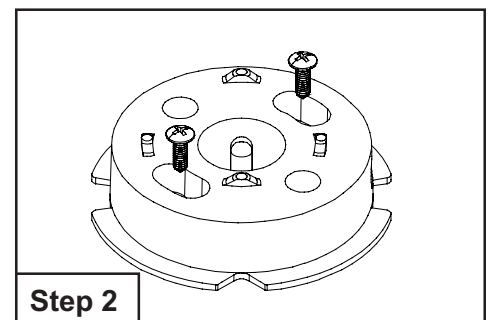
- Always read instructions completely and carefully before beginning assembly.
- Remove and check contents for concealed damage and or missing parts.
- Keep the original carton and packing material, which are required for all returns.

Step 1: Using the template provided, pre-drill holes for mounting the **Base Mount Bearing** and the **Top Mount** using a 3/32" drill bit.



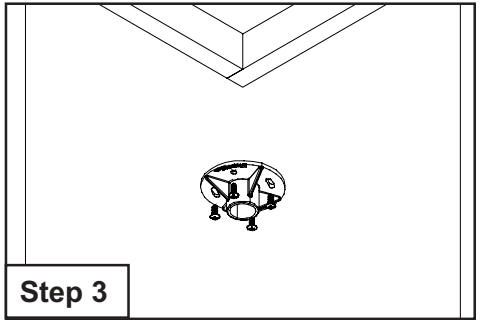
Step 1

Step 2: Align the **Base Mount Bearing** with the pre-drilled holes in the bottom of the cabinet and loosely fasten to the cabinet with only Two **#8 x 3/4" Truss Head Screws** in the center of the elongated holes. Make sure the V-notch is facing towards the front (see Step 11 for final fastening instructions).



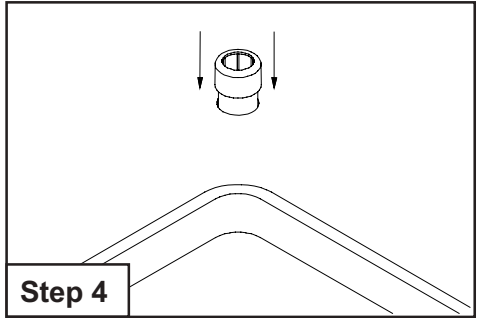
Step 2

Step 3: Fasten the **Top Mount** to the cabinet top with all Four **#8 x 1/2"** **Truss Head Screws**.



Step 3

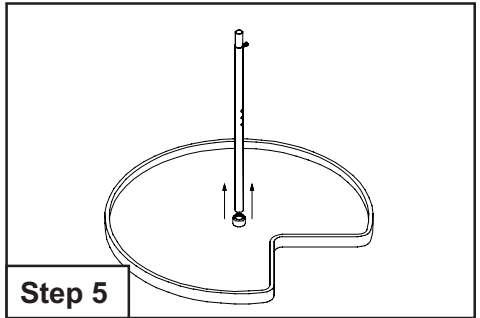
Step 4: Put the **Decorative Caps** on the top of the **Pole-Susan Bearings** that are attached to the Wood Susans.



Step 4

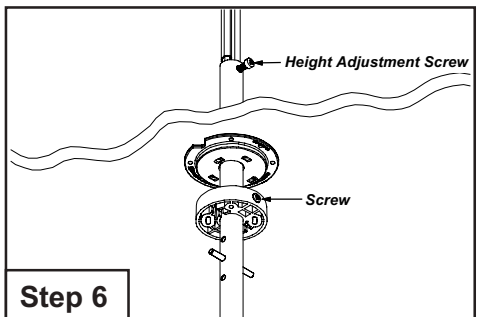
The next steps can be done inside the cabinet or outside the cabinet if there is room to maneuver the complete assembly into the cabinet.

Step 5: Install a Wood Shelf Assembly, which includes a **Wood Susan Shelf, Pole-Susan Bearing, and Decorative Cap**, by sliding it onto the **Center Pole** from the bottom. Follow this with the **Pole Mount Bearing Assembly** and slide it up the **Center Pole** above the holes and insert a **Retaining Pin** in one of the three holes in the **Center Pole (choose the specific hole for the height desired)**.



Step 5

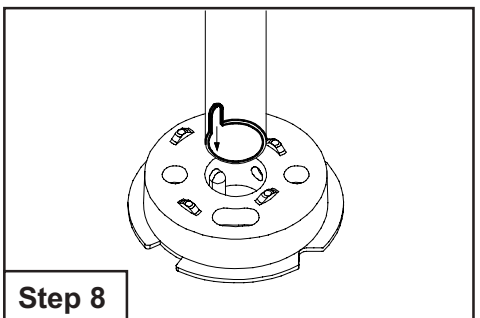
Step 6: Slide the **Pole Mount Bearing Assembly** back down and press on to the **Retaining Pin** by lining it up to the slot in the **Pole Mount Bearing Assembly**. Tighten the screw on the **Pole Mount Assembly** making sure it is on the same side as the **Height Adjustment Screw**. Note: The **Pole Mount Bearing Assembly** can be positioned at any random height by removing the **Retaining Pin** and using the screw on the side of the **Pole Mount Bearing Assembly**. Make sure it is **TIGHTLY** screwed down.



Step 6

Repeat Steps 5&6, If you are installing a 3 Shelf Unit.

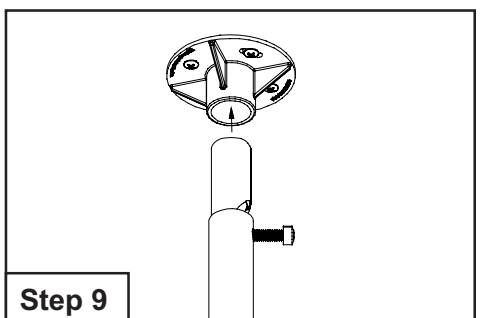
Step 7: Slide another Wood Shelf Assembly which includes a **Susan, Pole Susan Bearing, and Decorative Cap**, on to the bottom of the **Center Pole**. If the parts were assembled outside of the cabinet, tilt the Pole and Susan Assembly and insert it into the cabinet at this time.



Step 8

Step 8: Slide the bottom of the **Center Pole** into the **Base Mount Bearing** lining up the notch in the **Center Pole** with the protrusion in the **Base Mount Bearing** (make sure the **Center Pole** is seated all the way down).

Step 9: Holding the **Center Pole** down in position, slide the **Extension Pole** into the **Top Mount** (make sure it is all the way in) and tighten the **Height Adjustment Screw** on the **Center Pole**.



Step 9

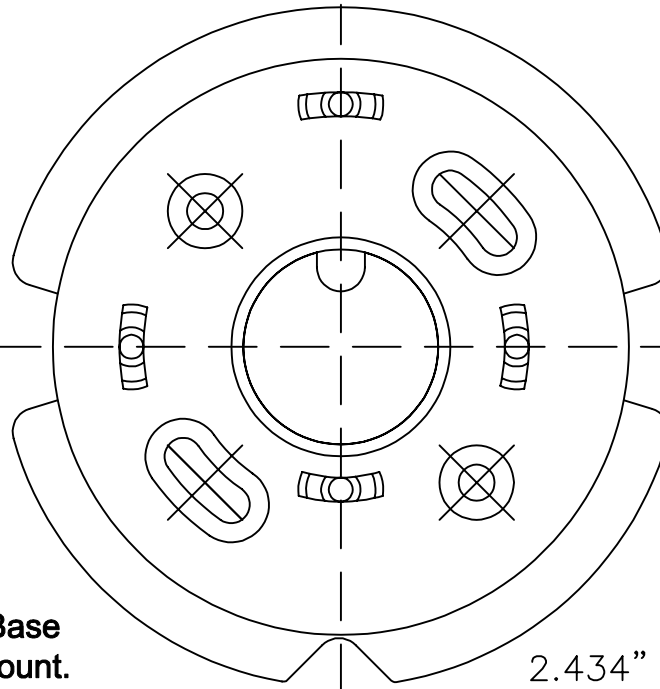
Step 10: Rotate all the **Wood Susan Shelves** until they detent. Rotate the **Center Pole** until the Wood Susan Shelves are in the desired position, aligned with the front of the cabinet.

Step 11: Carefully lift the bottom shelf and add two additional **#8 x 3/4"** **Truss Head Screws** in the **Base Mount Support** and make sure all the screws are tight.



Omega National P R O D U C T S

Installation Template
for 24", 28", 32"
Kidney Shaped Susan



Drill 4 Holes $\frac{3}{32}$ " on X's for Base
Mount Support and Top Mount.

Notes:
Template is for Standard 36"
Corner Cabinet. Always check
your application for adequate
clearances before installing.

2.434" [61.83mm]

6.491" [164.87mm]

Inside of Cabinet 24" Susan

Inside of Cabinet 28" and 32" Susan

