



Omega National

P R O D U C T S

T8224 SSusan Installation

Installation Instructions

Step 1: Position the T8224 SSusan in the cabinet in the desired position making sure the 4 inch steel bearing top, and bottom, races are aligned (see Fig. 01).

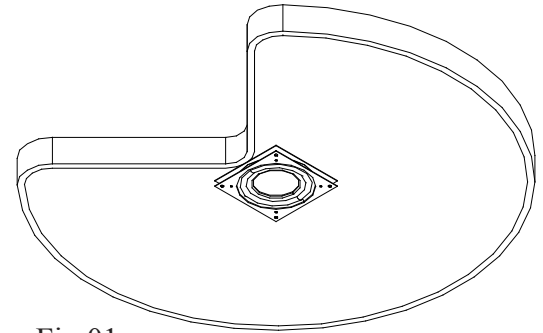


Fig 01

Step 2: Put slight downward pressure on the SSusan and rotate 45 degrees Counterclockwise to expose the right front mounting hole in the 4 inch bearing. Make sure the bottom race of the bearing has not moved and then screw the bearing to the shelf through the exposed hole.

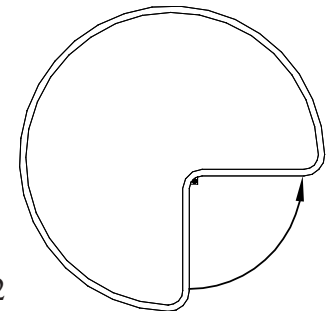


Fig 02

Step 3: Again put slight downward pressure on the SSusan and turn back clockwise 90 degrees to expose the front left hole in the bearing. Screw the bearing to the shelf through the exposed hole.

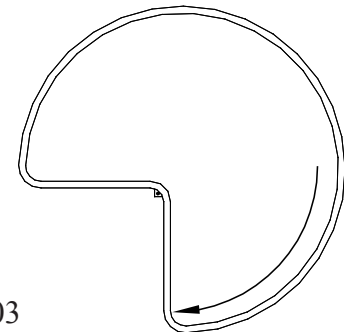


Fig 03

Step 4: Make sure the SSusan is still in the correct position on the shelf and rotate several times to make sure it turns freely inside the cabinet. Now fasten the bearing to the shelf through the remaining 2 holes.