

Easy Access



Easy Access Corner Pantry

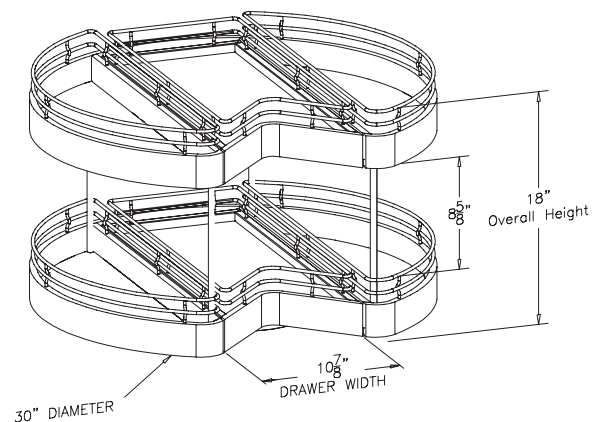
- Double Shelf Unit,
With 2 Full Extension Drawers:

- Provides efficient space utilization of the corner cabinet
- 30" diameter with 25" deep drawers
- Rotates 360 degrees, and has the addition of 2 full-extension drawers
- Pull-out drawers are 5/8" solid birch and have 90 lb. full-extension soft close under-mount slides
- Also available with Blum Tandem slides
- Drawers provide easy access to contents
- Double unit designed to be attached to bottom of corner cabinet
- Maple and birch construction with catalyzed natural finish
- Chrome surrounds provide contemporary flare
- 4-1/2" rim height prevents items from falling out (drawer fence ht. is 2-3/4")
- Spins on heavy-duty cast aluminum bearing (unattached)
- Comes fully assembled as a single unit, except for bearing (included in box)
- Simple installation – attach bearing to cabinet bottom and then double corner pantry to bearing
- Designed to fit most 36" base cabinets



Easy Access Corner Pantry - Double Shelf

PART #	RETAIL PRICE EACH
T8730K51MNL5	\$748.51
T8730K54MNL5 (Blum Tandem version)	\$820.51



Omega National
P R O D U C T S