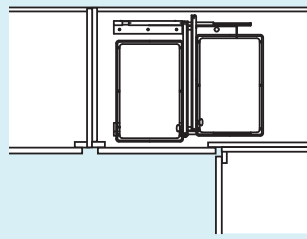
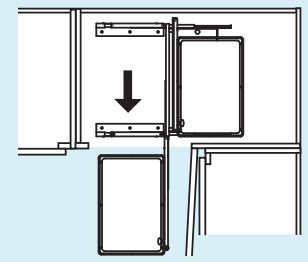




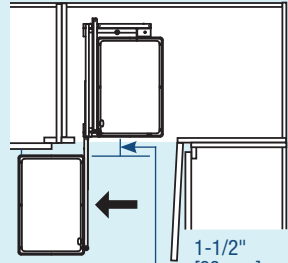
**BBCS-R-15-FN**  
(for RIGHT blind corner cabinet)



**Position 1** (closed)

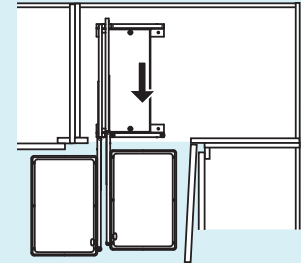


**Position 2**



**Position 3**

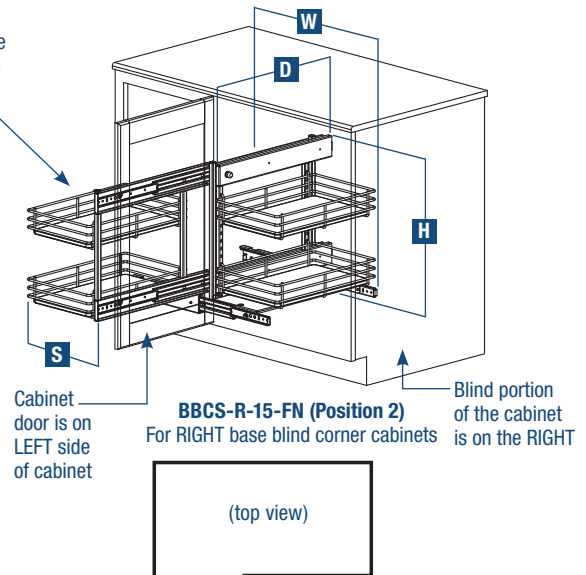
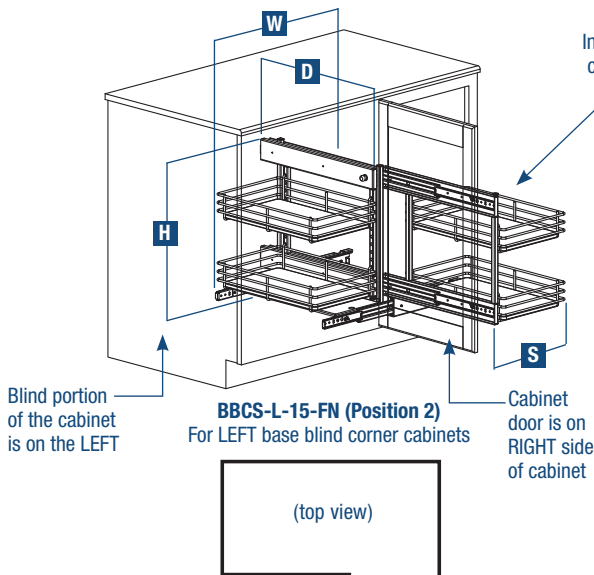
1-1/2"  
[38 mm]  
Clearance  
for Adjacent  
Cabinet Door



**Position 4** (fully open)

## Slide-Out Base Blind Corner Unit

- NEW KV eco-friendly Frosted Nickel finish
- Provides easy access to hard-to-reach blind corners
- Opens by manually pulling each half of the unit out of cabinet in three easy steps
- KV® heavy-duty precision ball bearing slides

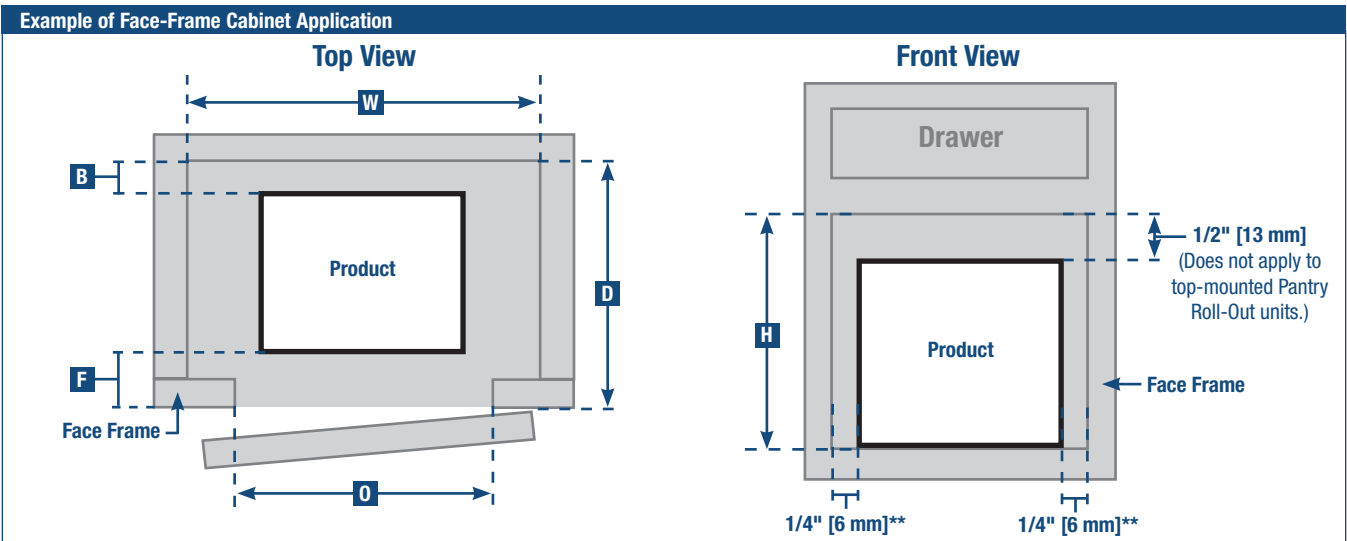


Stock #	Sliding Assembly		Assembled Product Dimensions			Finish	Units per Carton	Weight per Carton
	S Width	H Height	W Width	D Depth				
<b>SLIDE-OUT BASE BLIND CORNER UNITS</b>								
<b>LEFT Blind Corner Units</b>								
BBCS-L-15-FN	14" [356 mm]	19-3/4" [502 mm]	26-3/16" [665 mm]	22-3/16" [564 mm]	Frosted Nickel/Wood	1	63.9 lb.s [29 kg.]	
BBCT-L-15-FN	14" [356 mm]	26-3/4" [679 mm]	26-3/16" [665 mm]	22-3/16" [564 mm]	Frosted Nickel/Wood	1	67.6 lb.s [30.7 kg.]	
<b>RIGHT Blind Corner Units</b>								
BBCS-R-15-FN	14" [356 mm]	19-3/4" [502 mm]	26-3/16" [665 mm]	22-3/16" [564 mm]	Frosted Nickel/Wood	1	63.9 lb.s [29.0 kg.]	
BBCT-R-15-FN	14" [356 mm]	26-3/4" [679 mm]	26-3/16" [665 mm]	22-3/16" [564 mm]	Frosted Nickel/Wood	1	67.6 lb.s [30.7 kg.]	

See page 62 - 63 for recommended cabinet dimensions and clearances.

# Cabinet Dimensions

Stock #	Min. Cabinet Opening	Minimum Interior Cabinet Dimensions			Minimum Cabinet Clearances	
	O Width	W Width	H Height	D Depth	F Front	B Back
<b>WIRE</b>						
<b>Center-Mount Pantry Roll-Out</b>						
P4250CM-W	*	*	42-1/2" [1080 mm]	22-1/4" [565 mm]	-	-
P4650CM-W	*	*	46-1/2" [1080 mm]	22-1/4" [565 mm]	-	-
P5450CM-W	*	*	54-1/2" [1384 mm]	22-1/4" [565 mm]	-	-
P1875CM-W	*	*	18-3/4" [476 mm]	22-1/4" [565 mm]	-	-
P2500CM-W	*	*	22-1/2" [572 mm]	22-1/4" [565 mm]	-	-
<b>Side-Mount Pantry Roll-Out</b>						
P4250FE-W	*	*	42-1/2" [1080 mm]	22-1/4" [565 mm]	-	-
P4650FE-W	*	*	46-1/2" [1181 mm]	22-1/4" [565 mm]	-	-
P5050FE-W	*	*	50-1/2" [1283 mm]	22-1/4" [565 mm]	-	-
P5450FE-W	*	*	54-1/2" [1384 mm]	22-1/4" [565 mm]	-	-
P6500FE-W	*	*	65" [1651 mm]	22-1/4" [565 mm]	-	-
P4250FE-FN	*	*	42-1/2" [1080 mm]	22-1/4" [565 mm]	-	-
P4650FE-FN	*	*	46-1/2" [1181 mm]	22-1/4" [565 mm]	-	-
P5450FE-FN	*	*	54-1/2" [1384 mm]	22-1/4" [565 mm]	-	-
<b>Vegetable Bin Assembly</b>						
VBA11-3-FN	11" [279 mm]	11-1/2" [292 mm]	20-1/4" [514 mm]	21-3/4" [552 mm]	1/4" [6 mm]	1/4" [6 mm]
VBA11-3-W	11" [279 mm]	11-1/2" [292 mm]	20-1/4" [514 mm]	21-3/4" [552 mm]	1/4" [6 mm]	1/4" [6 mm]
VBA14-3-W	14" [356 mm]	14-1/2" [368 mm]	20-1/4" [514 mm]	21-3/4" [552 mm]	1/4" [6 mm]	1/4" [6 mm]
<b>Base Cabinet Organizer</b>						
BC020E-W	*	*	21-11/16" [551 mm]	22-3/16" [564 mm]	1/4" [6 mm]	1/4" [6 mm]
BC02456-W	*	*	25-1/2" [648 mm]	22-1/2" [572 mm]	1/4" [6 mm]	1/4" [6 mm]
BC02456DM-W	*	*	25-1/2" [648 mm]	22-1/2" [572 mm]	1/4" [6 mm]	1/4" [6 mm]
<b>Base Roll-Out</b>						
B1700-W	*	*	19-3/4" [502 mm]	22-3/16" [564 mm]	1/4" [6 mm]	1/4" [6 mm]
<b>Multi-Use Baskets</b>						
GUSB11-FN	12" [305 mm]	12-5/8" [321 mm]	15-15/16" [405 mm]	19-1/4" [489 mm]	1/4" [6 mm]	1/4" [6 mm]
GUSB14-FN	15" [381 mm]	15-5/8" [397 mm]	15-15/16" [405 mm]	19-1/4" [489 mm]	1/4" [6 mm]	1/4" [6 mm]
USB11-W	12" [305 mm]	12-5/8" [321 mm]	16" [406 mm]	19-1/4" [489 mm]	1/4" [6 mm]	1/4" [6 mm]
USB14-W	15" [381 mm]	15-5/8" [397 mm]	16" [406 mm]	19-1/4" [489 mm]	1/4" [6 mm]	1/4" [6 mm]
USB11TM-W	12" [305 mm]	12-5/8" [321 mm]	9-13/16" [249 mm]	19-5/8" [498 mm]	1/4" [6 mm]	1/4" [6 mm]
USB14TM-W	15" [381 mm]	15-5/8" [397 mm]	9-13/16" [249 mm]	19-5/8" [498 mm]	1/4" [6 mm]	1/4" [6 mm]
MU11-W	12" [305 mm]	12-5/8" [321 mm]	5-11/16" [144 mm]	19-1/4" [489 mm]	1/4" [6 mm]	1/4" [6 mm]
MU14-W	15" [381 mm]	15-5/8" [397 mm]	5-11/16" [144 mm]	19-1/4" [489 mm]	1/4" [6 mm]	1/4" [6 mm]
<b>Tray Divider Roll-Outs</b>						
TDR06-W	6" [152 mm]	6-1/2" [165 mm]	20" [508 mm]	22-1/2" [572 mm]	1/4" [6 mm]	1/4" [6 mm]
TDR09-W	9" [229 mm]	9-1/2" [241 mm]	20" [508 mm]	22-1/2" [572 mm]	1/4" [6 mm]	1/4" [6 mm]



\*\* Slide-out Base Blind Corner Units and Base Cabinet Organizers require 1/2" side clearance on one side, not both.

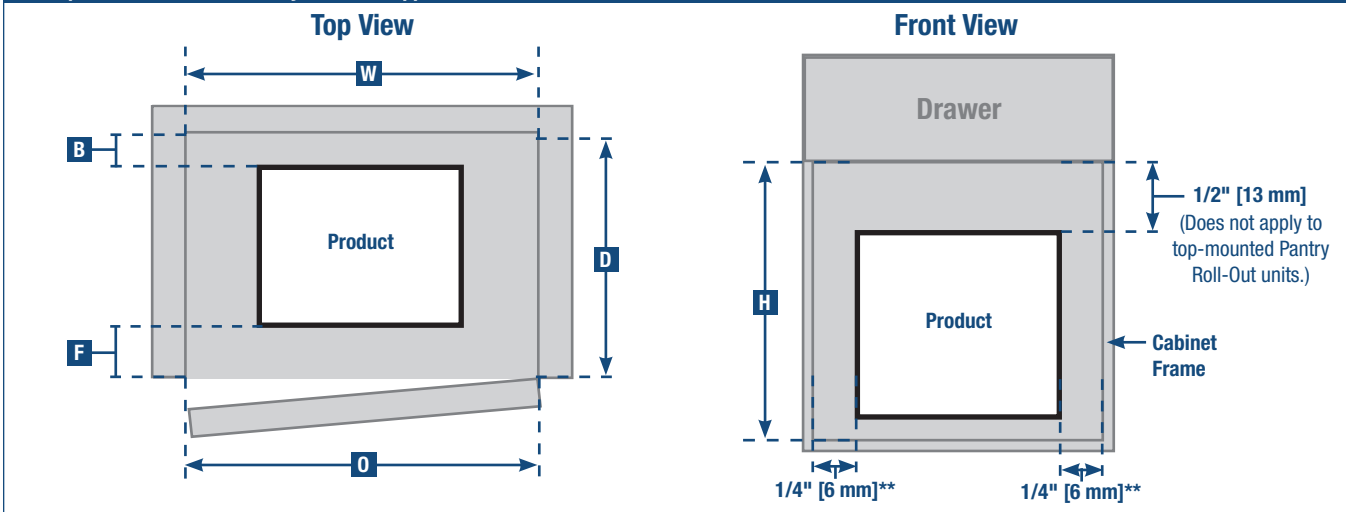
\* Minimum Cabinet Opening Width AND Minimum Cabinet Interior Width equals total width of completely assembled unit with all baskets applied, plus 1/2" clearance per side (1" total clearance for center-mounted units, 1/2" side clearance for side-mounted units).

Dimensions shown are recommended minimum cabinet dimensions and clearances.

# Cabinet Dimensions

Stock #	Min. Cabinet Opening		Minimum Interior Cabinet Dimensions			Minimum Cabinet Clearances						
	O	Width	W	Width	H	Height	D	Depth	F	Front	B	Back
<b>WOOD &amp; WIRE</b>												
<b>Slide-Out Base Blind Corner Units</b>												
BBCS-L-15-FN	15"	[381 mm]	26-11/16"	[678 mm]	20-1/4"	[514 mm]	22-11/16"	[576 mm]	1/4"	[6 mm]	1/4"	[6 mm]
BBCT-L-15-FN	15"	[381 mm]	26-11/16"	[678 mm]	27-1/4"	[692 mm]	22-11/16"	[576 mm]	1/4"	[6 mm]	1/4"	[6 mm]
BBCS-R-15-FN	15"	[381 mm]	26-11/16"	[678 mm]	20-1/4"	[514 mm]	22-11/16"	[576 mm]	1/4"	[6 mm]	1/4"	[6 mm]
BBCT-R-15-FN	15"	[381 mm]	26-11/16"	[678 mm]	27-1/4"	[692 mm]	22-11/16"	[576 mm]	1/4"	[6 mm]	1/4"	[6 mm]
<b>Center-Mount Pantry Roll-Outs</b>												
P1875CM-FN	*	*			18-3/4"	[476 mm]	22-1/4"	[565 mm]	-		-	
P2500CM-FN	*	*			22-1/2"	[572 mm]	22-1/4"	[565 mm]	-		-	
P4250CM-FN	*	*			42-1/2"	[1080 mm]	22-1/4"	[565 mm]	-		-	
P4650CM-FN	*	*			46-1/2"	[1181 mm]	22-1/4"	[565 mm]	-		-	
P5450CM-FN	*	*			54-1/2"	[1384 mm]	22-1/4"	[565 mm]	-		-	
<b>Pot &amp; Pan Pantry Organizer</b>												
PAN1700TM-FN	18"	[457 mm]	18"	[457 mm]	24"	[610 mm]	24"	[610 mm]	-		1/2"	[13 mm]
<b>Pot &amp; Pan Caddy</b>												
SPS21-FN	20"	[508 mm]	20"	[508 mm]	14-3/4"	[375 mm]	22-3/4"	[578 mm]	1/4"	[6 mm]	1/4"	[6 mm]
<b>Wood &amp; Wire Tray Divider Roll-Outs</b>												
TDRO-FNW-6	6"	[152 mm]	6-7/16"	[164 mm]	14-1/2"	[368 mm]	22-3/4"	[578 mm]	1/4"	[6 mm]	1/4"	[6 mm]
TDRO-FNW-9	9"	[229 mm]	9-3/16"	[233 mm]	14-1/2"	[368 mm]	22-3/4"	[578 mm]	1/4"	[6 mm]	1/4"	[6 mm]
<b>SPECIALTY</b>												
<b>Appliance Lift (see page 59 for additional clearances)</b>												
HAL-20	Platform Width + 1" [25 mm]	Platform Width + 2-1/2" [64 mm]			25"	[634 mm]	Maximum of 14-1/2" [368 mm] OR platform depth		1/2"	[13 mm]	1/2"	[13 mm]
<b>Hampers</b>												
PSH15-160-W	15"	[381 mm]	15-5/8"	[397 mm]	21-9/16"	[548 mm]	19-5/8"	[498 mm]	1/4"	[6 mm]	1/4"	[6 mm]
PDMSH15-1-60-W	15"	[381 mm]	15-5/8"	[397 mm]	21-9/16"	[548 mm]	19-5/8"	[498 mm]	1/4"	[6 mm]	1/4"	[6 mm]
H1215-W	12"	[305 mm]	12-5/8"	[321 mm]	15-1/8"	[384 mm]	19-1/4"	[489 mm]	1/4"	[6 mm]	1/4"	[6 mm]
H1218-W	12"	[305 mm]	12-5/8"	[321 mm]	19-3/8"	[492 mm]	19-1/4"	[489 mm]	1/4"	[6 mm]	1/4"	[6 mm]
H1515-W	15"	[381 mm]	15-5/8"	[397 mm]	15-1/8"	[384 mm]	19-1/4"	[489 mm]	1/4"	[6 mm]	1/4"	[6 mm]
H1518-W	15"	[381 mm]	15-5/8"	[397 mm]	19-3/8"	[492 mm]	19-1/4"	[489 mm]	1/4"	[6 mm]	1/4"	[6 mm]
MH1215-W	12"	[305 mm]	12-5/8"	[321 mm]	15-1/8"	[384 mm]	16-1/2"	[419 mm]	1/4"	[6 mm]	1/4"	[6 mm]
TO1710-1-W	11"	[279 mm]	11"	[279 mm]	18-1/4"	[464 mm]	19-5/16"	[491 mm]	1/4"	[6 mm]	1/4"	[6 mm]
TO1710-W	11"	[279 mm]	11"	[279 mm]	18-1/4"	[464 mm]	19-5/16"	[491 mm]	1/4"	[6 mm]	1/4"	[6 mm]
TO1713-1-W	14"	[356 mm]	14"	[356 mm]	18-1/4"	[464 mm]	19-5/16"	[491 mm]	1/4"	[6 mm]	1/4"	[6 mm]
TO1713-W	14"	[356 mm]	14"	[356 mm]	18-1/4"	[464 mm]	19-5/16"	[491 mm]	1/4"	[6 mm]	1/4"	[6 mm]
TO1716-1-W	17"	[432 mm]	17"	[432 mm]	18-1/4"	[464 mm]	19-5/16"	[491 mm]	1/4"	[6 mm]	1/4"	[6 mm]
TO1716-W	17"	[432 mm]	17"	[432 mm]	18-1/4"	[464 mm]	19-5/16"	[491 mm]	1/4"	[6 mm]	1/4"	[6 mm]
<b>Slide-Out Towel Bar</b>												
P79 3 ANO	5-5/16"	[135 mm]	5-5/16"	[135 mm]	1-13/16"	[46 mm]	18-1/4"	[464 mm]	1/4"	[6 mm]	1/4"	[6 mm]
TB-3P-W	7-1/4"	[184 mm]	7-1/4"	[184 mm]	4-1/16"	[103 mm]	19-1/2"	[495 mm]	1/4"	[6 mm]	1/4"	[6 mm]

**Example of Frameless / Euro-Style Cabinet Application**



\*\* Slide-out Base Blind Corner Units and Base Cabinet Organizers require 1/2" side clearance on one side, not both.

\* Minimum Cabinet Opening Width AND Minimum Cabinet Interior Width equals total width of completely assembled unit with all baskets applied, plus 1/2" clearance per side (1" total clearance for center-mounted units, 1/2" side clearance for side-mounted units).

Dimensions shown are recommended minimum cabinet dimensions and clearances.