

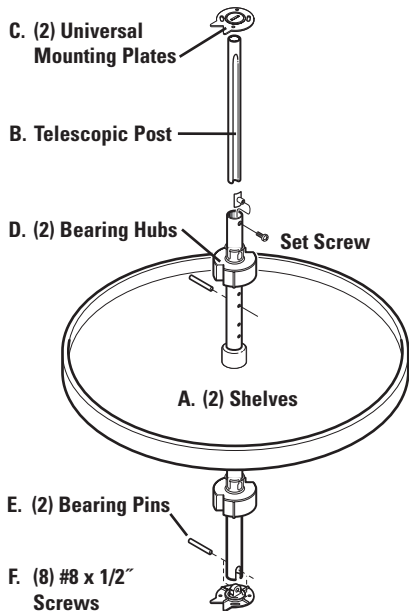
# POLYMER FULL-ROUND LAZY SUSAN

## Installation Instructions

*Inspect all parts and read all instructions prior to beginning assembly and installation.*

### Parts Included

- A. (2) Shelves
- B. (1) Telescopic Post
- C. (2) Universal Mounting Plates
- D. (2) Bearing Hubs
- E. (2) Bearing Pins
- F. (8) #8 x 1/2" screws



### Tools Required

- Phillips Screwdriver
- Ruler
- Pencil
- Drill with 1/16" diameter drill bit

### Product Assemblies

- PFN18
- PFN20
- PFN24
- PFN28
- PFN32

**Step 1** Use installation template to mark and drill 1/16" pilot holes for universal mounting plates in top and bottom interior of cabinet.

**Step 2** Fasten each of the universal mounting plates with (2) #8 x 1/2" screws using the slots so that future adjustment can be made, if necessary.

**Step 3** Insert bearing hubs into the underside of each of the shelves. Note that the keyway on the side of the bearing hub must be aligned with the key on the inside of the shelf.

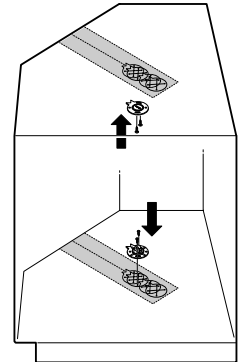
**Step 4** Slide the shelves onto the lower portion of the telescopic post from the bottom (slotted side).

**Step 5** Place the assembly into the cabinet. Align the bottom of the telescopic post over the top of the bottom universal mounting plate making sure that the slot in the post fits over the lug in the mounting plate. Push a bearing pin through the slot in the pole and the hole in the mounting plate. Slide the bottom shelf down onto the pin.

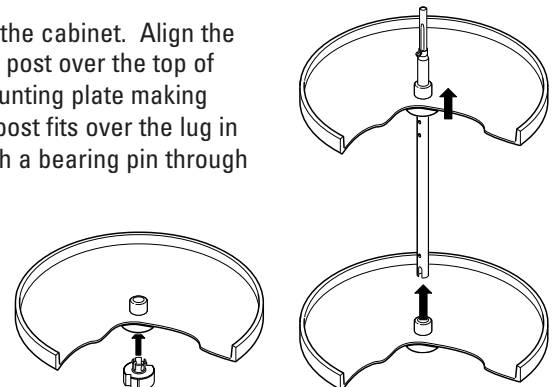
**Step 6** Loosen the set screw that holds the upper portion of the telescopic post enough to allow the upper portion to move. Slide the upper portion up onto the top universal mounting plate so that it is engaged securely. Tighten the set screw to hold the upper and lower portions of the post together securely.

**Step 7** Insert second bearing pin into one of the post's upper holes to give desired shelf separation. Slide top shelf down over it.

Your installation is complete! Please affix the enclosed "Care Instructions" to an inside wall of the cabinet for future reference.

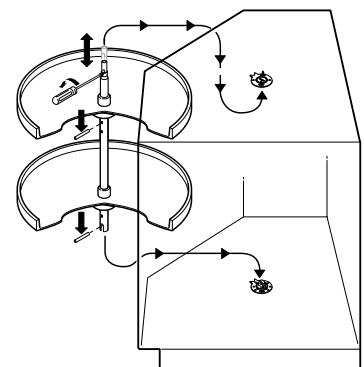


steps 1 & 2



step 3

step 4



steps 5, 6, & 7



**Real Solutions**  
For Real Life.™

KNAPE & VOGT MANUFACTURING COMPANY

P.O. Box 191, Muncie, IN 47308

0.899.6535 • 765.288.8730 • Fax 765.288.0851 • www.kv.com

RN-205EFS 02/03