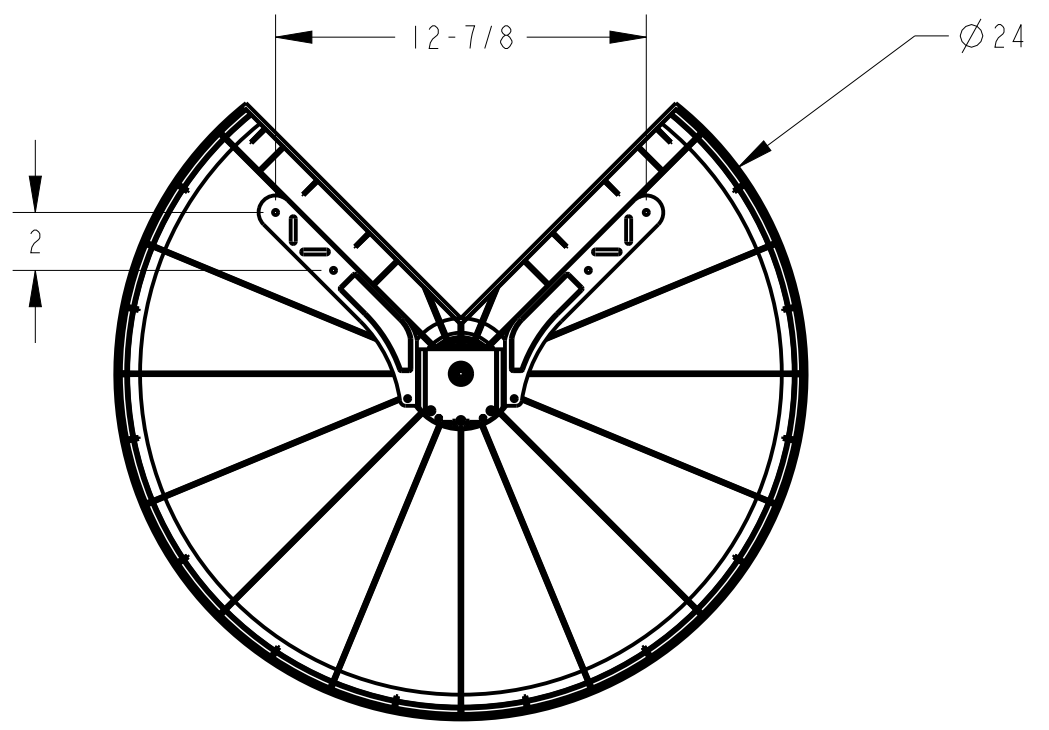
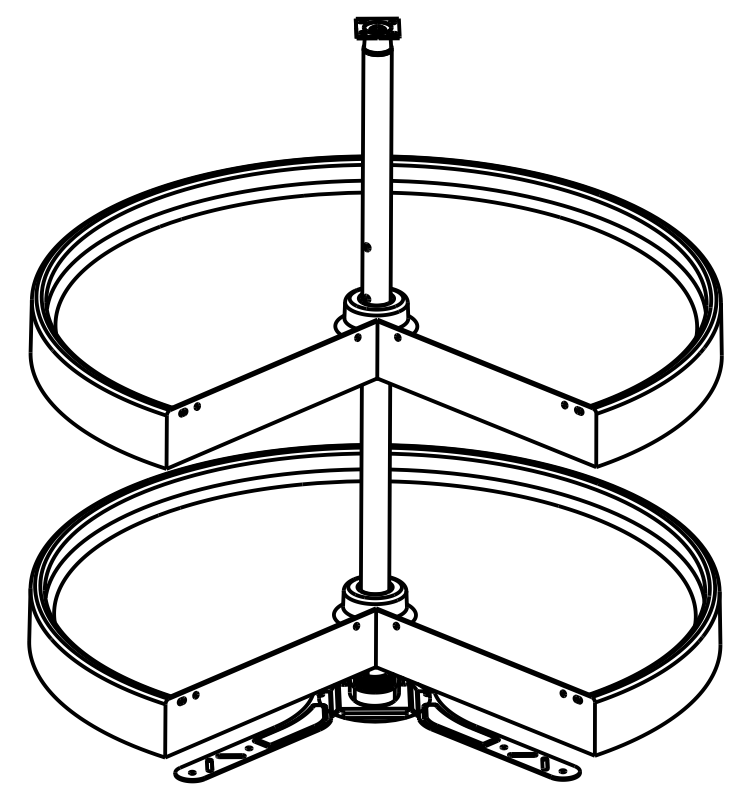
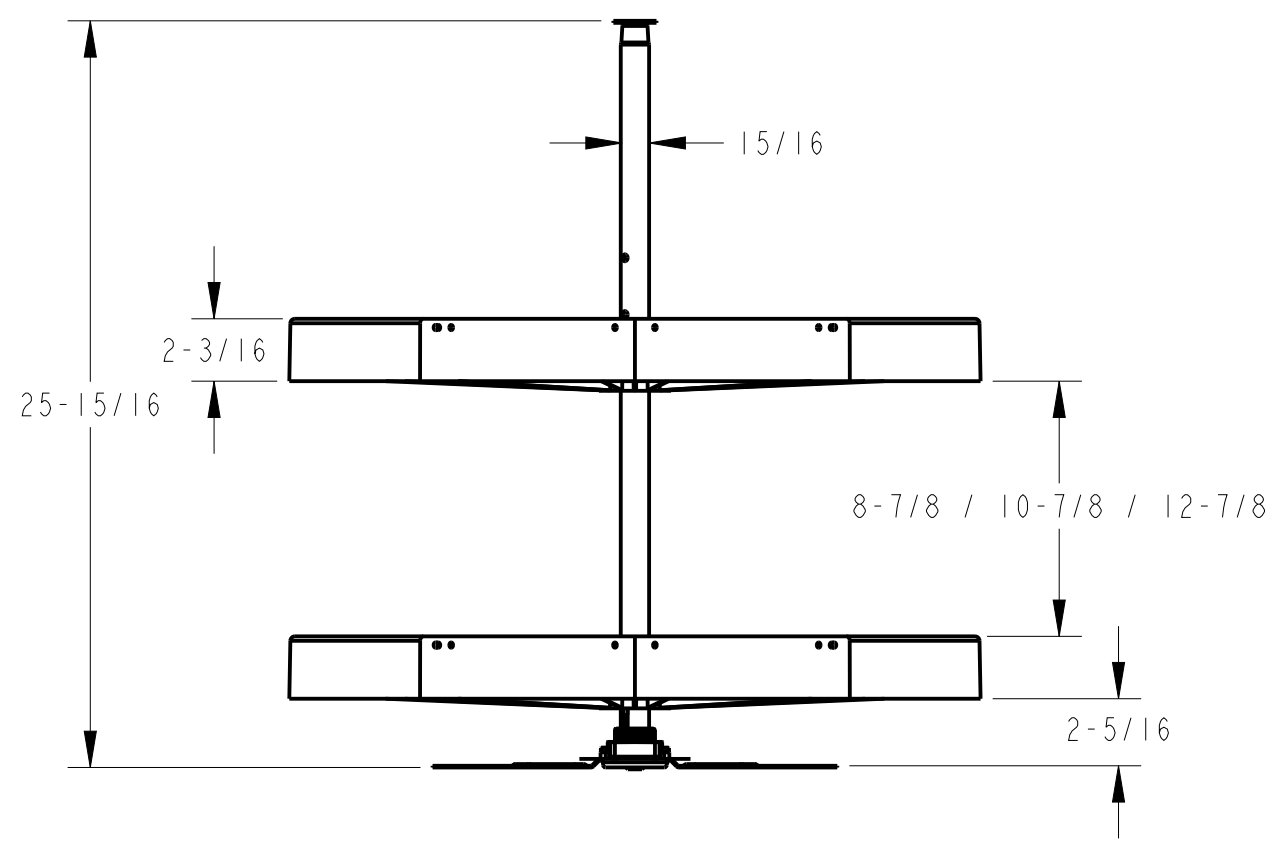


8 7 6 5 4 3 2

F E D C B A



THIRD ANGLE PROJECTION 		hardware resources		
MATERIAL N/A	FINISH N/A			
DRAWN BY J.GOMEZ	DATE 23JAN18	DRAWING NUMBER PLSP24		REV A
DESIGNED BY J.GOMEZ	DATE 18DEC17	SIZE A3	SCALE 0.150	SHEET 1 / 1
APPROVED BY G.DAVIS	DATE 25JAN18			

DOCUMENT STATUS Released

HARDWARE RESOURCES RESERVES THE RIGHT TO CHANGE SPECIFICATIONS WITHOUT NOTICE.
IN CASE OF A DISCREPANCY, ACTUAL PART GEOMETRY SUPERSEDES THIS DOCUMENT.

THE INFORMATION CONTAINED WITHIN THIS DRAWING IS THE SOLE PROPERTY OF HARDWARE RESOURCES INC. ANY REPRODUCTION IN PART OR WHOLE WITHOUT WRITTEN PERMISSION OF HARDWARE RESOURCES INC. IS PROHIBITED.

8 7 6 5 4 3 2 1