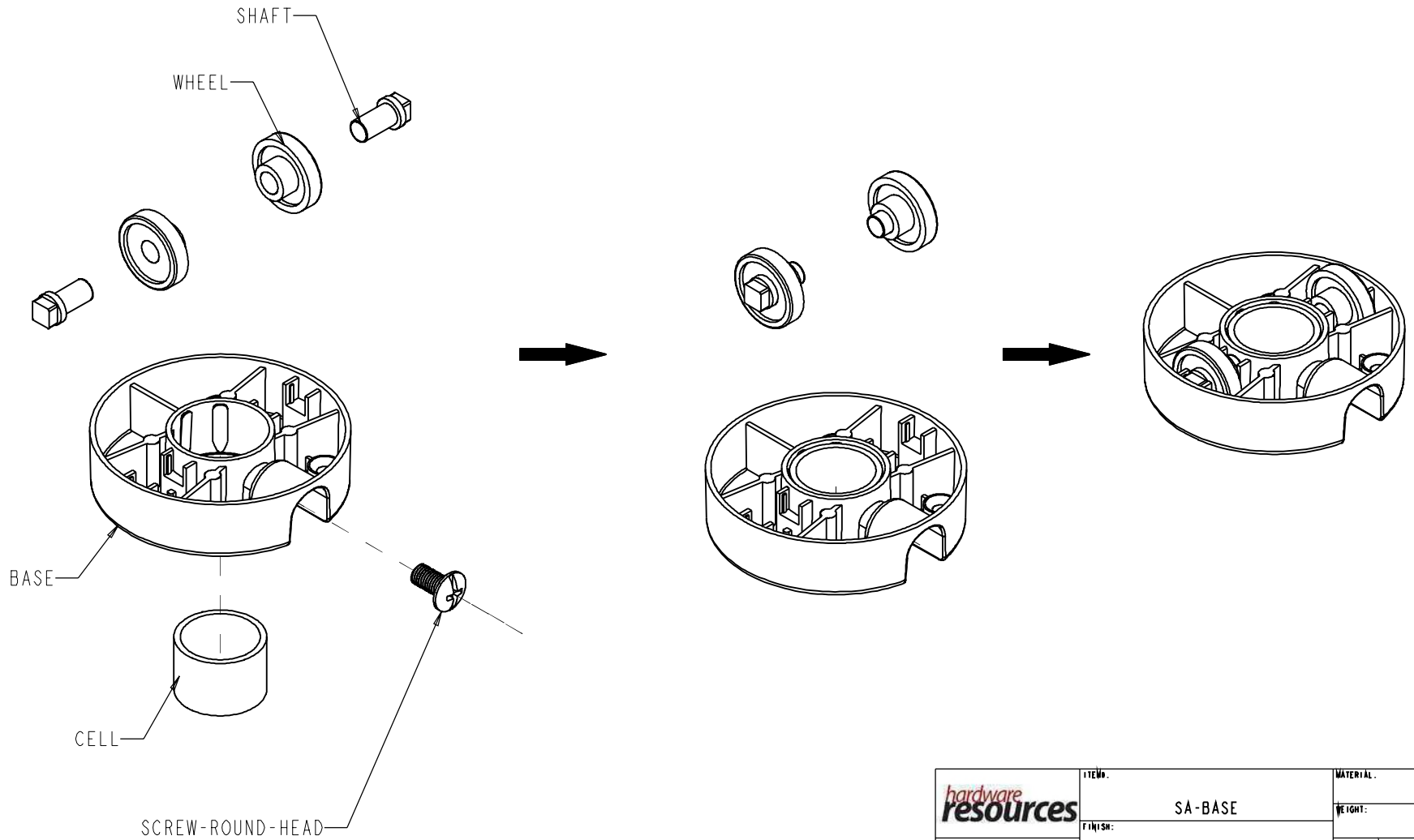


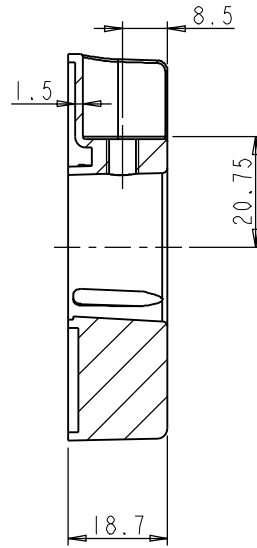
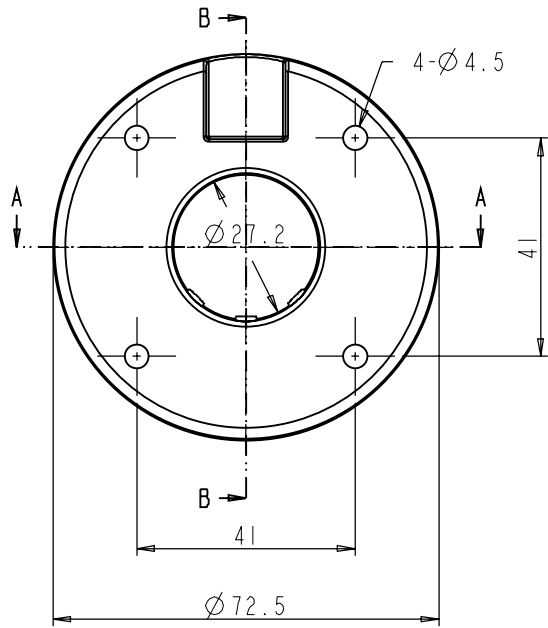
BILLS OF MATERIAL:

NO.	ITEM#	MATERIAL	QTY	UNIT WEIGHT	TOTL WEIGHT	TYPE	ASSY LEVEL	
9	SA-INNER-PIPE	ASSEMBLY	1	238.81	238.81	ASSEMBLY	1	
8	SA-LOCKER	ASSEMBLY	1	83.83	83.83	ASSEMBLY	1	
7	SCREW-FLAT-HEAD-LONG	STEEL	6	1.33	7.95	PART	1	
6	SA-COVER	ASSEMBLY	2	140.58	281.16	ASSEMBLY	1	
5	LSR	WOOD	2			PART	1	
4	SA-CONNECTOR	ASSEMBLY	2	225.90	451.81	ASSEMBLY	1	
3	SCREW-WOODEN	STEEL	4	0.71	2.82	PART	1	
2	SA-BASE	ASSEMBLY	2	159.39	318.78	ASSEMBLY	1	
1	PIPE-OUTER	STEEL	1	326.59	326.59	PART	1	
NO.		ITEM#	MATERIAL	QTY	UNIT WEIGHT	TOTL WEIGHT	TYPE	ASSY LEVEL

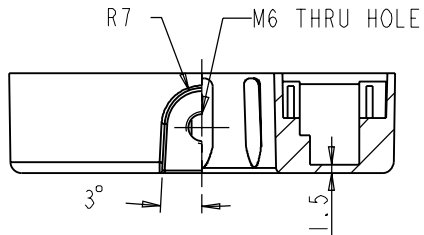
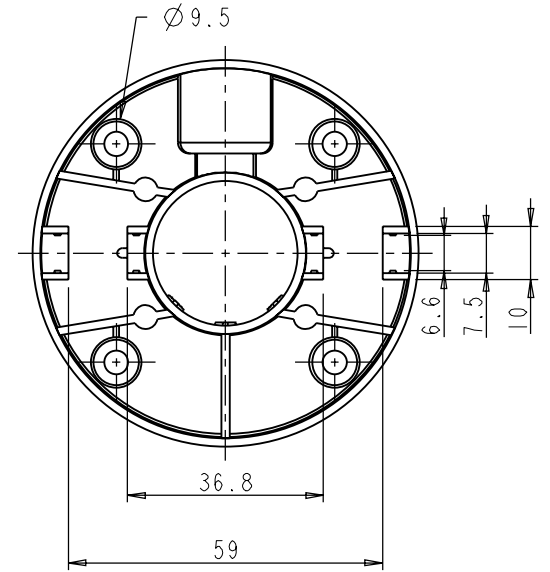
	ITEM#		LSR-SET		MATERIAL		
	FINISH:				WEIGHT:		
PROPRIETARY AND CONFIDENTIAL THE INFORMATION CONTAINED IN THIS DRAWING IS THE SOLE PROPERTY OF HARDWARE RESOURCES INC. ANY REPRODUCTION IN PART OR AS A WHOLE WITHOUT THE WRITTEN PERMISSION OF HARDWARE RESOURCES INC. IS PROHIBITED.		TOLERANCE UNLESS OTHERWISE SPECIFIED: X ±0.20 X.I ±0.10 X.II ±0.05 ANGULAR: ±0.5° DO NOT SCALE DRAWING		UNITS: SIZE: A4 SHEET:		DRAWN BY: <i>Shawn Liu</i> APPROVED BY: DATE:	
		RELEASE LEVEL:		REVISION:		PROJECTION 	



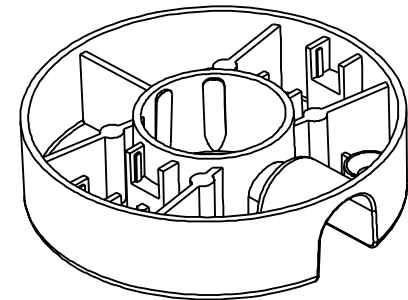
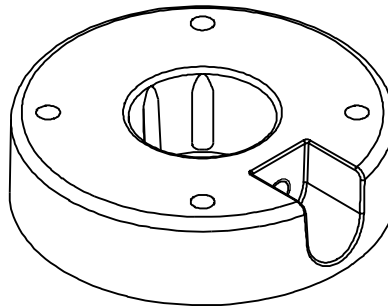
<p>hardware resources</p> <p>PROPRIETARY AND CONFIDENTIAL</p> <p>THE INFORMATION CONTAINED IN THIS DRAWING IS THE SOLE PROPERTY OF HARDWARE RESOURCES INC. ANY REPRODUCTION IN PART OR AS A WHOLE WITHOUT THE WRITTEN PERMISSION OF HARDWARE RESOURCES INC. IS PROHIBITED.</p> <p>DO NOT SCALE DRAWING</p>	ITEM#:	SA-BASE	MATERIAL:	
	FINISH:		WEIGHT:	9
	PROJECTION:		UNITS:	A4
	TOLERANCE UNLESS OTHERWISE SPECIFIED: X ±0.20 X.II ±0.10 X.III ±0.05 ANGULAR: ±0.5°	DRW BY: <i>Shanika</i> APPROVED BY: RELEASE LEVEL:	DATE: DATE: REVISION:	



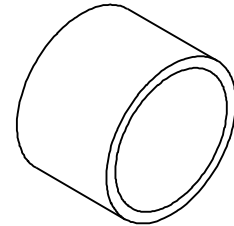
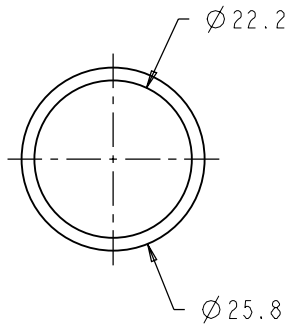
SECTION B-B


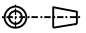



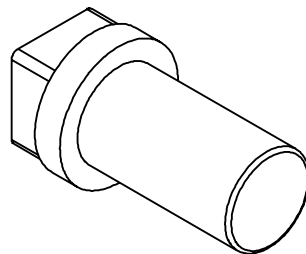
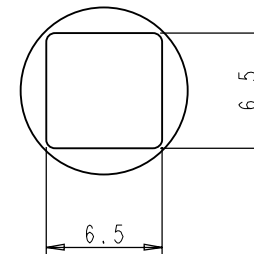
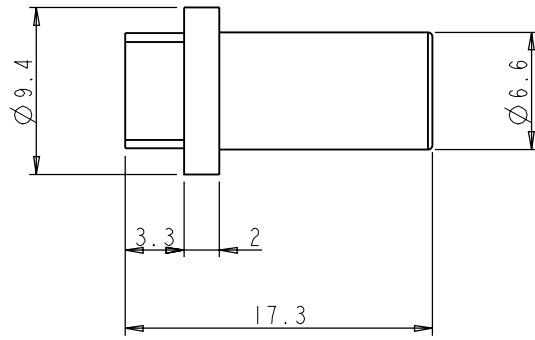
SECTION A-A



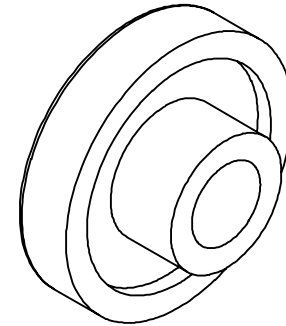
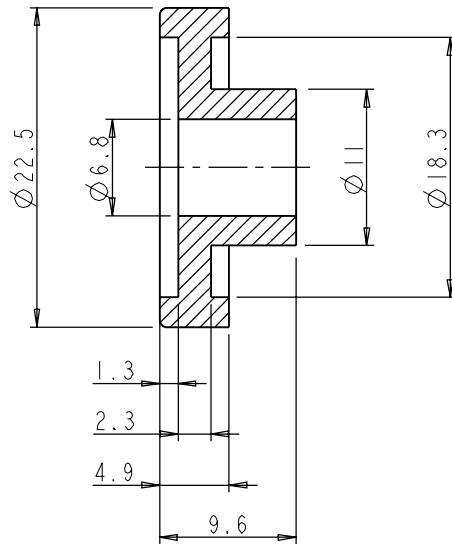
hardwareresources <small>PROPRIETARY AND CONFIDENTIAL</small> THE INFORMATION CONTAINED IN THIS DRAWING IS THE SOLE PROPERTY OF HARDWARE RESOURCES INC. ANY REPRODUCTION IN PART OR AS A WHOLE WITHOUT THE WRITTEN PERMISSION OF HARDWARE RESOURCES INC. IS PROHIBITED.	ITEM#:	BASE	MATERIAL:	ZINC
	FINISH:		WEIGHT:	133.30 g
	TOLERANCE UNLESS OTHERWISE SPECIFIED:	UNITS: MM	PROJECTION:	
	X ±0.20 X.I ±0.10 X.II ±0.05 ANGULAR: ±0.5° DO NOT SCALE DRAWING	DRAWN BY: <i>Shawn Liu</i>	DATE:	
APPROVED BY:		DATE:		
SHEET:	RELEASE LEVEL:	REVISION:		



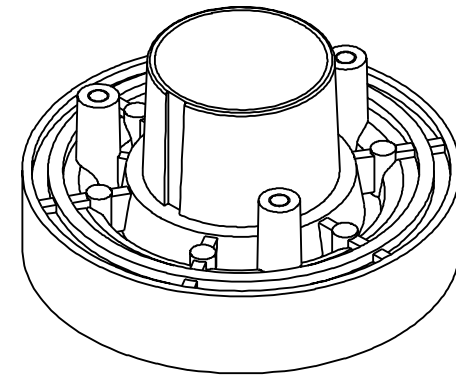
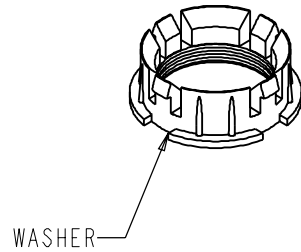
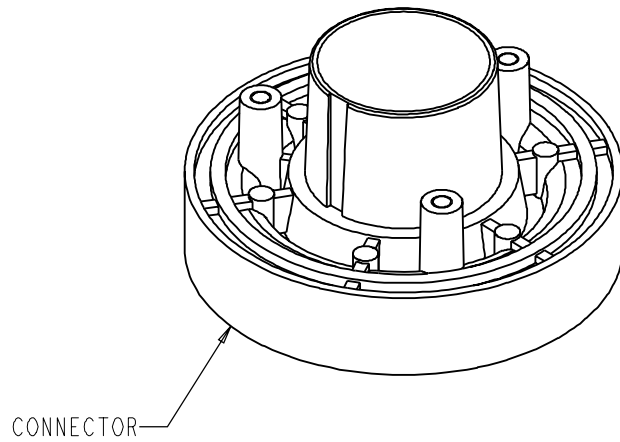
 PROPRIETARY AND CONFIDENTIAL THE INFORMATION CONTAINED IN THIS DRAWING IS THE SOLE PROPERTY OF HARDWARE RESOURCES INC. ANY REPRODUCTION IN PART OR AS A WHOLE WITHOUT THE WRITTEN PERMISSION OF HARDWARE RESOURCES INC. IS PROHIBITED. DO NOT SCALE DRAWING	ITEM#:	CELL		MATERIAL:	PA
	FINISH:			WEIGHT:	2.80 g
	PROJECTION:				
	TOLERANCE UNLESS OTHERWISE SPECIFIED: X ±0.20 X.I ±0.10 X.II ±0.05 ANGULAR: ±0.5°	UNITS:	MM	DRAWN BY:	
	SIZE:	A4	APPROVED BY:	DATE:	
	SHEET:		RELEASE LEVEL:	REVISION:	



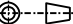


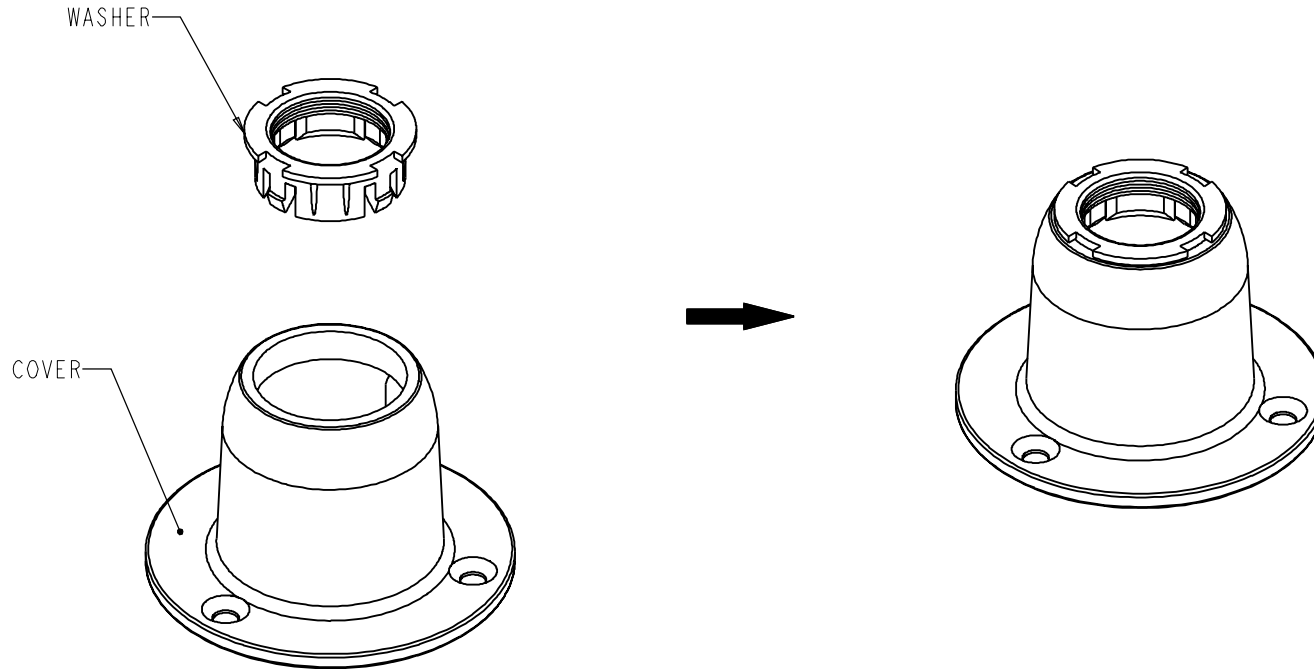
<p>hardware resources</p> <p>PROPRIETARY AND CONFIDENTIAL</p> <p>THE INFORMATION CONTAINED IN THIS DRAWING IS THE SOLE PROPERTY OF HARDWARE RESOURCES INC. ANY REPRODUCTION IN PART OR AS A WHOLE WITHOUT THE WRITTEN PERMISSION OF HARDWARE RESOURCES INC. IS PROHIBITED.</p> <p>DO NOT SCALE DRAWING</p>	ITEM#:	SHAFT		MATERIAL:	ABS
	FINISH:			WEIGHT:	0.50 g
	PROJECTION:				
	TOLERANCE UNLESS OTHERWISE SPECIFIED: X ±0.20 X.I ±0.10 X.II ±0.05 ANGULAR: ±0.5°	UNITS:	MM	DRAWN BY:	
	SIZE:	A4	APPROVED BY:	DATE:	
	SHEET:		RELEASE LEVEL:	REVISION:	



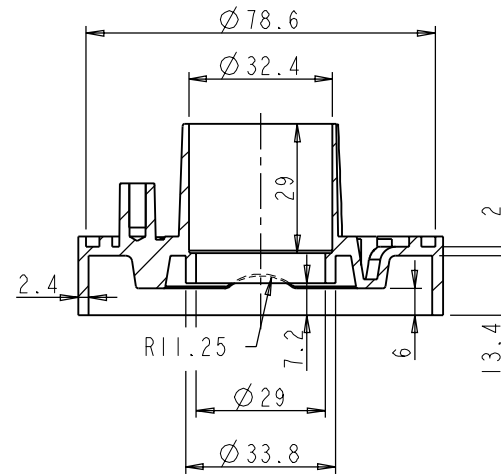
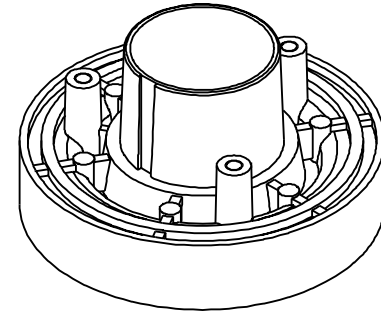
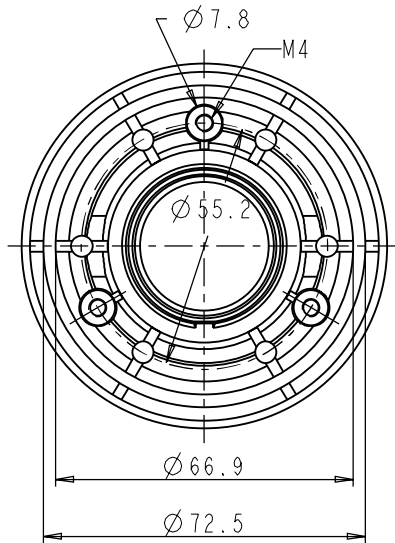
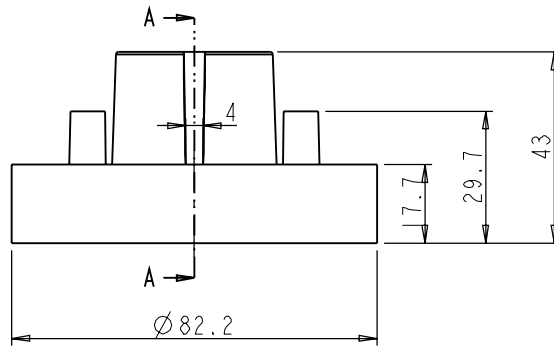
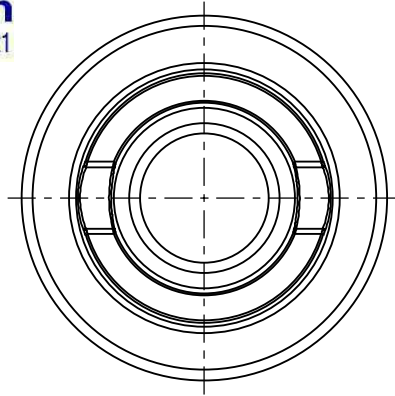
<p>hardware resources</p> <p>PROPRIETARY AND CONFIDENTIAL</p> <p>THE INFORMATION CONTAINED IN THIS DRAWING IS THE SOLE PROPERTY OF HARDWARE RESOURCES INC. ANY REPRODUCTION IN PART OR AS A WHOLE WITHOUT THE WRITTEN PERMISSION OF HARDWARE RESOURCES INC. IS PROHIBITED.</p>	ITEM:	WHEEL		MATERIAL:	ABS
	FINISH:			WEIGHT:	1.30 g
	<p>PROJECTION</p>			DATE:	
	<p>UNITS: MM</p> <p>SIZE: A4</p> <p>SHEET:</p>	<p>DO NOT SCALE DRAWING</p>	<p>DRW BY: <i>Shawn Liu</i></p> <p>APPROVED BY:</p> <p>RELEASE LEVEL:</p>	<p>DATE:</p> <p>REVISION:</p>	



 PROPRIETARY AND CONFIDENTIAL THE INFORMATION CONTAINED IN THIS DRAWING IS THE SOLE PROPERTY OF HARDWARE RESOURCES INC. ANY REPRODUCTION IN PART OR AS A WHOLE WITHOUT THE WRITTEN PERMISSION OF HARDWARE RESOURCES INC. IS PROHIBITED.	ITEM#:	SA-CONNECTOR		MATERIAL:
	FINISH:			WEIGHT:
	TOLERANCE UNLESS OTHERWISE SPECIFIED: X ±0.20 X.II ±0.10 X.III ±0.05 ANGULAR: ±0.5° DO NOT SCALE DRAWING	UNITS:	DRAWN BY: 	DATE:
	SIZE: A4	APPROVED BY:	DATE:	
	SHEET:	RELEASE LEVEL:	REVISION:	
				9
				PROJECTION 

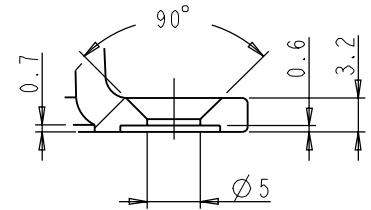
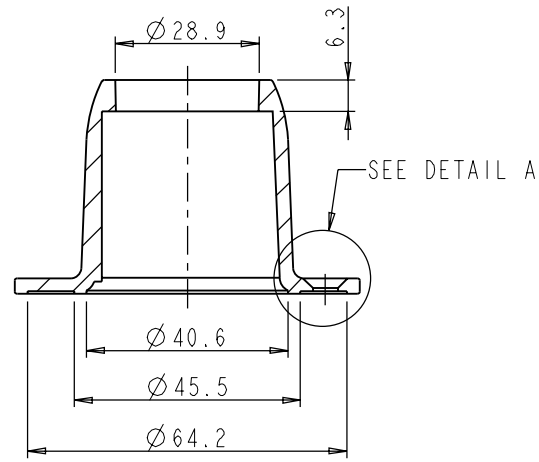
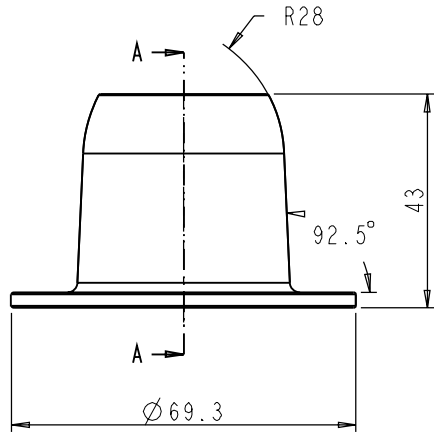
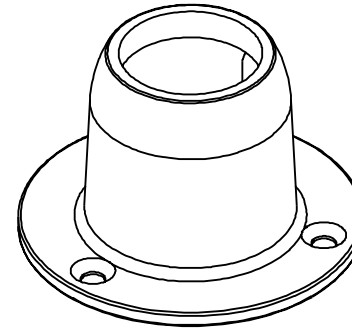
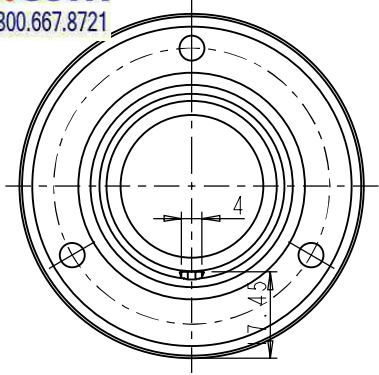


<p>hardware resources</p> <p>PROPRIETARY AND CONFIDENTIAL</p> <p>THE INFORMATION CONTAINED IN THIS DRAWING IS THE SOLE PROPERTY OF HARDWARE RESOURCES INC. ANY REPRODUCTION IN PART OR AS A WHOLE WITHOUT THE WRITTEN PERMISSION OF HARDWARE RESOURCES INC. IS PROHIBITED.</p> <p>DO NOT SCALE DRAWING</p>	ITEM#:	SA-COVER		MATERIAL:	
	FINISH:			WEIGHT:	9
	TOLERANCE UNLESS OTHERWISE SPECIFIED:	UNITS:	DRW BY:	DATE:	
	X ±0.20 X.I ±0.10 X.II ±0.05 ANGULAR ±0.5°	SIZE:	A4	APPROVED BY:	DATE:
	SHEET:		RELEASE LEVEL:	REVISION:	

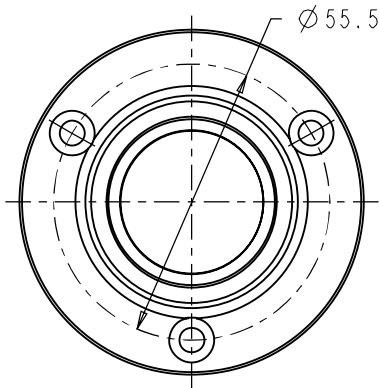


SECTION A-A

<p>hardware resources</p> <p>PROPRIETARY AND CONFIDENTIAL</p> <p>THE INFORMATION CONTAINED IN THIS DRAWING IS THE SOLE PROPERTY OF HARDWARE RESOURCES INC. ANY REPRODUCTION IN PART OR AS A WHOLE WITHOUT THE WRITTEN PERMISSION OF HARDWARE RESOURCES INC. IS PROHIBITED.</p> <p>DO NOT SCALE DRAWING</p>	ITEM#:	CONNECTOR		MATERIAL:	ZINC
	FINISH:			WEIGHT:	236.00 g
	PROJECTION:			PROJECTION:	
	TOLERANCE UNLESS OTHERWISE SPECIFIED:	UNITS:	MM	DRAWN BY:	DATE:
X ±0.20	SIZE:	A4	APPROVED BY:	DATE:	
X.I ±0.10	SHEET:		RELEASE LEVEL:	REVISION:	
X.II ±0.05					
ANGULAR: ±0.5°					

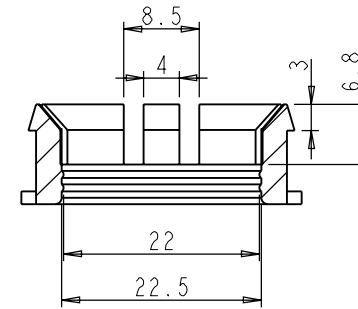
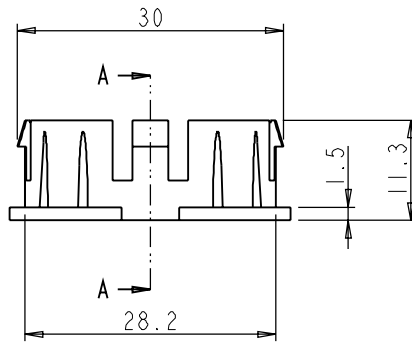
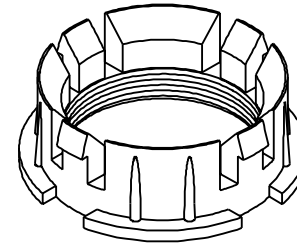
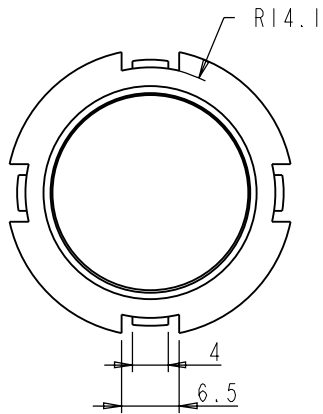


DETAIL A
SCALE 3:2

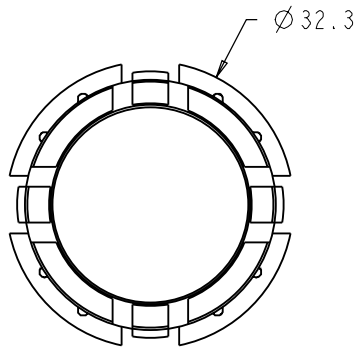


SECTION A-A

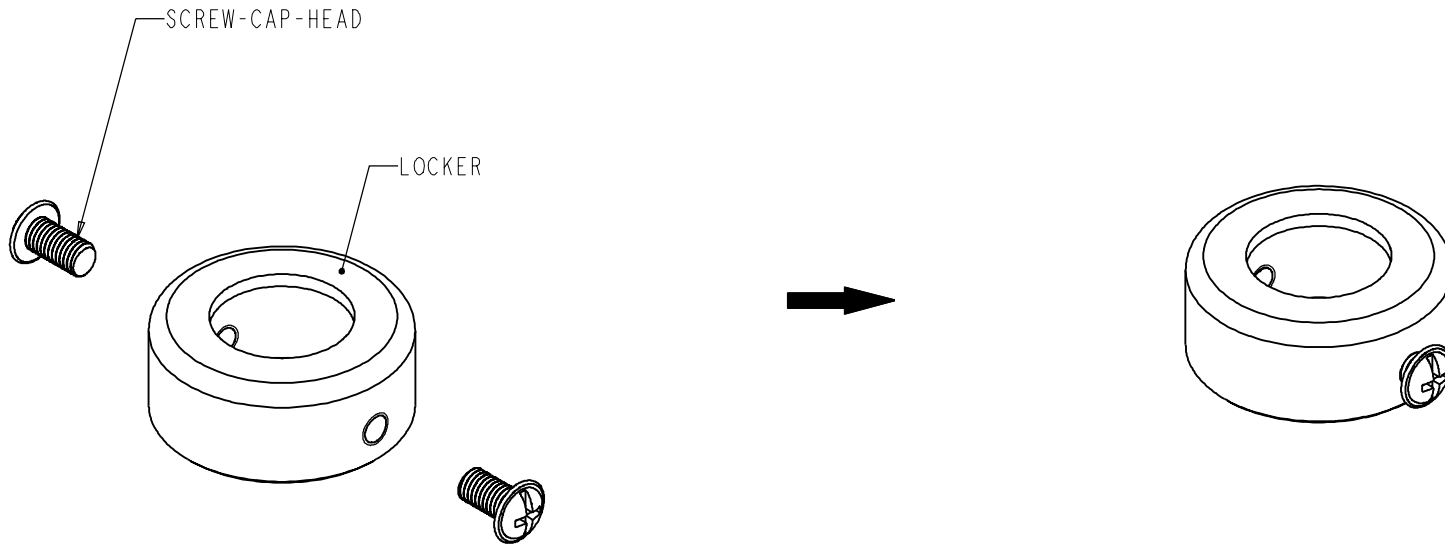
<p>hardware resources</p> <p>PROPRIETARY AND CONFIDENTIAL</p> <p>THE INFORMATION CONTAINED IN THIS DRAWING IS THE SOLE PROPERTY OF HARDWARE RESOURCES INC. ANY REPRODUCTION IN PART OR AS A WHOLE WITHOUT THE WRITTEN PERMISSION OF HARDWARE RESOURCES INC. IS PROHIBITED.</p>	ITEM#:	COVER		MATERIAL:	ZINC	
	FINISH:			WEIGHT:	136.50 g	
	TOLERANCE UNLESS OTHERWISE SPECIFIED:	UNITS:	MM	DRAWN BY:	<i>Shawn Liu</i>	DATE:
	X ±0.20 X.I ±0.10 X.II ±0.05 ANGULAR: ±0.5°	SIZE:	A4	APPROVED BY:		DATE:
DO NOT SCALE DRAWING	SHEET:		RELEASE LEVEL:		REVISION:	


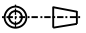



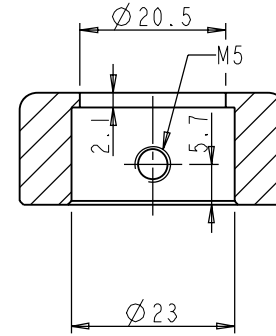
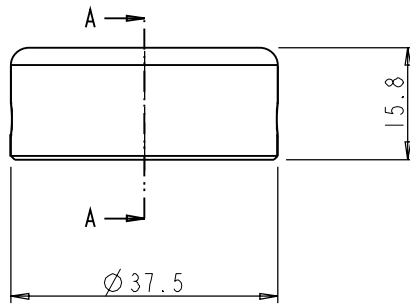
SECTION A-A



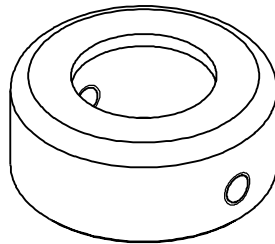
<p>hardware resources</p> <p>PROPRIETARY AND CONFIDENTIAL</p> <p>THE INFORMATION CONTAINED IN THIS DRAWING IS THE SOLE PROPERTY OF HARDWARE RESOURCES INC. ANY REPRODUCTION IN PART OR AS A WHOLE WITHOUT THE WRITTEN PERMISSION OF HARDWARE RESOURCES INC. IS PROHIBITED.</p> <p>DO NOT SCALE DRAWING</p>	ITEM#:	WASHER		MATERIAL:	PA
	FINISH:			WEIGHT:	2.90 g
	TOLERANCE UNLESS OTHERWISE SPECIFIED:	UNITS:	MM	DRAWN BY:	DATE:
	X ±0.20 X.I ±0.10 X.II ±0.05 ANGULAR: ±0.5°	SIZE:	A4	APPROVED BY:	DATE:
	SHEET:		RELEASE LEVEL:	REVISION:	


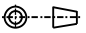



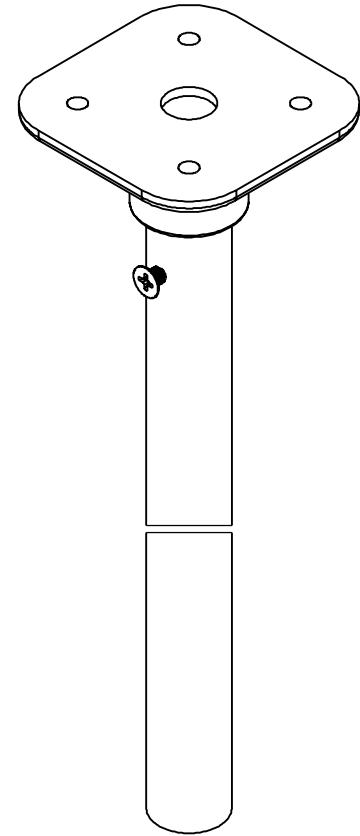
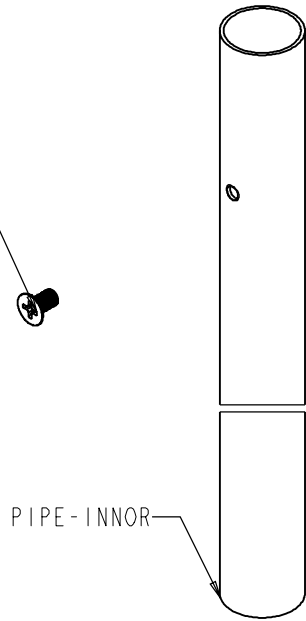
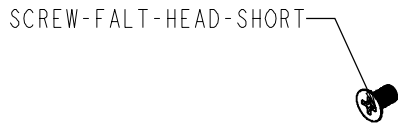
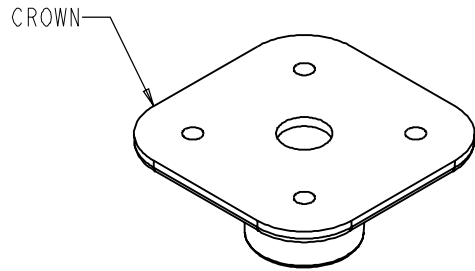
 PROPRIETARY AND CONFIDENTIAL THE INFORMATION CONTAINED IN THIS DRAWING IS THE SOLE PROPERTY OF HARDWARE RESOURCES INC. ANY REPRODUCTION IN PART OR AS A WHOLE WITHOUT THE WRITTEN PERMISSION OF HARDWARE RESOURCES INC. IS PROHIBITED.	ITEM#:		MATERIAL:	
	FINISH:		WEIGHT:	
	SA-LOCKER		9	
	PROJECTION			
TOLERANCE UNLESS OTHERWISE SPECIFIED: X ±0.20 X.II ±0.10 X.III ±0.05 ANGULAR: ±0.5° DO NOT SCALE DRAWING	UNITS:	DRAWN BY: 	DATE:	
	SIZE: A4	APPROVED BY:	DATE:	
	SHEET:	RELEASE LEVEL:	REVISION:	



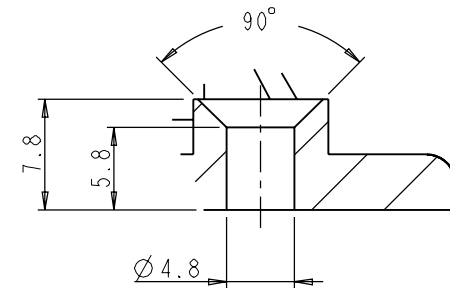
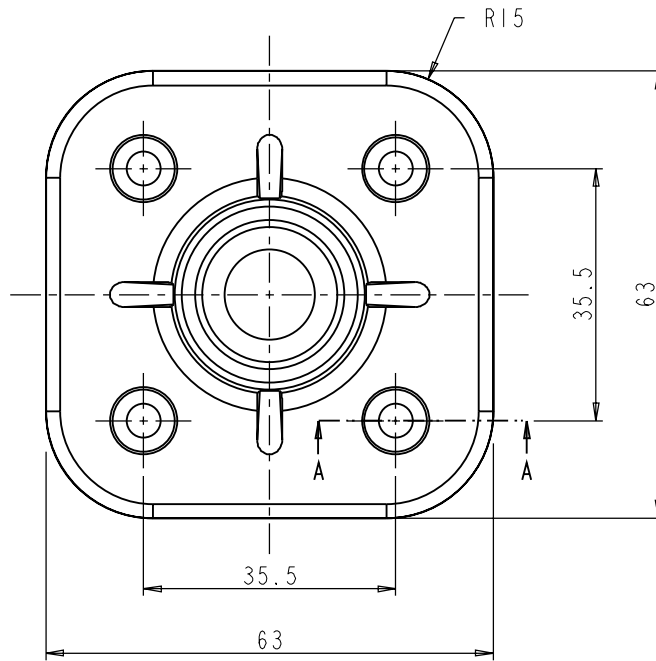
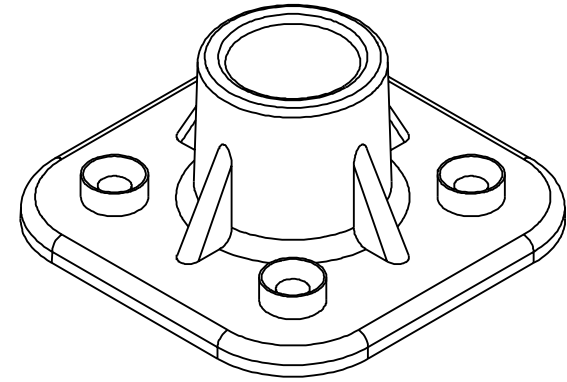
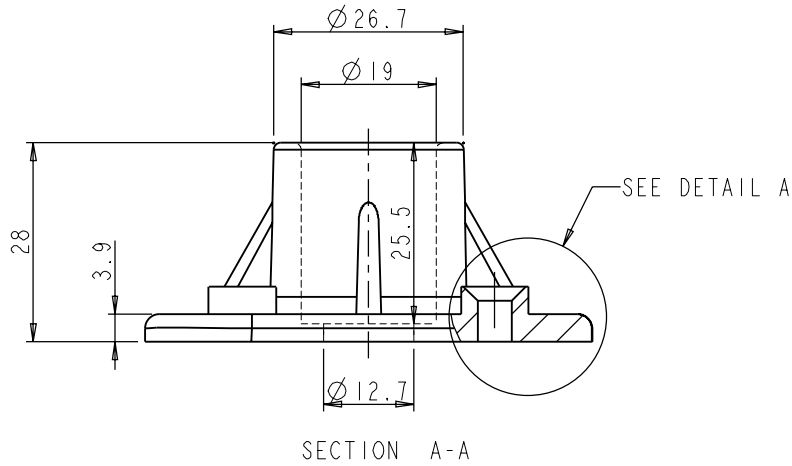
SECTION A-A



 PROPRIETARY AND CONFIDENTIAL THE INFORMATION CONTAINED IN THIS DRAWING IS THE SOLE PROPERTY OF HARDWARE RESOURCES INC. ANY REPRODUCTION IN PART OR AS A WHOLE WITHOUT THE WRITTEN PERMISSION OF HARDWARE RESOURCES INC. IS PROHIBITED.	ITEM#:	LOCKER		MATERIAL:	STEEL
	FINISH:			WEIGHT:	83.00 g
	PROJECTION:				
	TOLERANCE UNLESS OTHERWISE SPECIFIED: X ±0.20 X.I ±0.10 X.II ±0.05 ANGULAR: ±0.5° DO NOT SCALE DRAWING	UNITS:	MM	DRAWN BY:	
	SIZE:	A4	APPROVED BY:	DATE:	
	SHEET:		RELEASE LEVEL:	REVISION:	

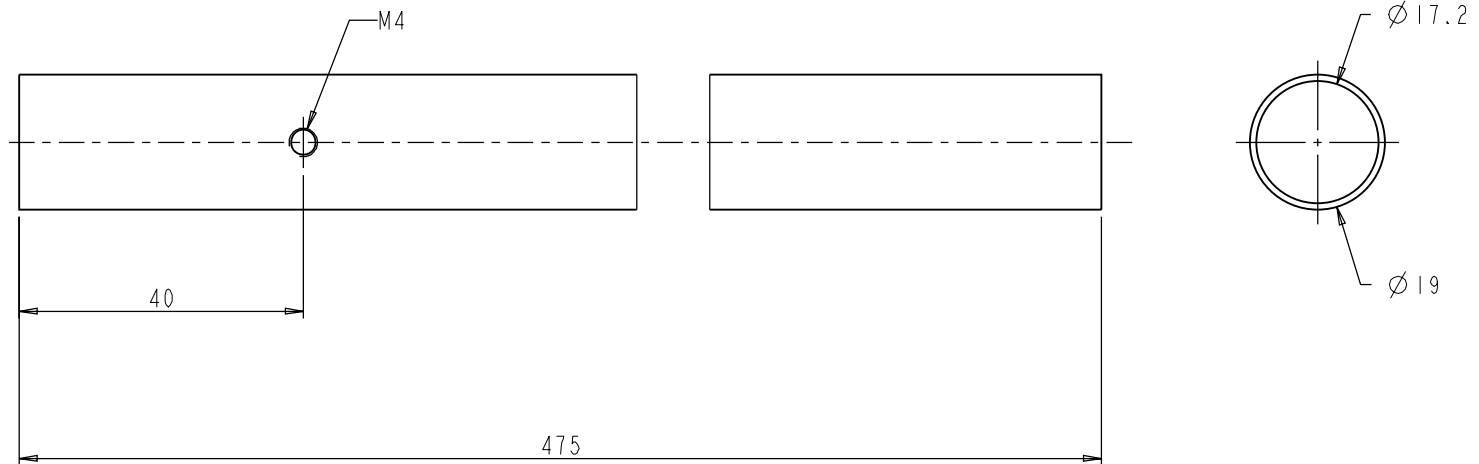



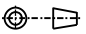
	ITEM# SA-INNER-PIPE		MATERIAL	
	FINISH:		WEIGHT:	
	PROPRIETARY AND CONFIDENTIAL THE INFORMATION CONTAINED IN THIS DRAWING IS THE SOLE PROPERTY OF HARDWARE RESOURCES INC. ANY REPRODUCTION IN PART OR AS A WHOLE WITHOUT THE WRITTEN PERMISSION OF HARDWARE RESOURCES INC. IS PROHIBITED.		PROJECTION	
	TOLERANCE UNLESS OTHERWISE SPECIFIED: X ±0.20 X.II ±0.10 X.III ±0.05 ANGULAR: ±0.5° DO NOT SCALE DRAWING		UNITS: A4 SHEET:	DRAWN BY: <i>Shanika</i> APPROVED BY: RELEASE LEVEL:

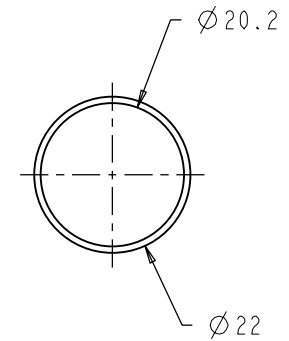
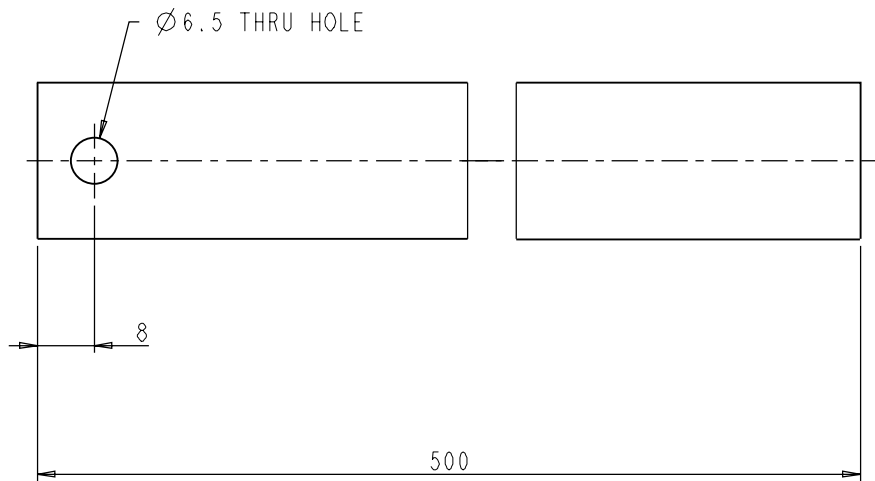


DETAIL A
SCALE 2:1

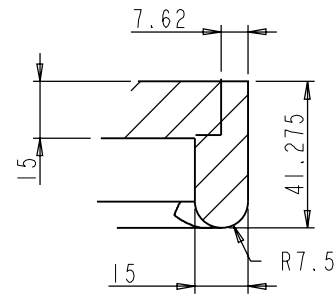
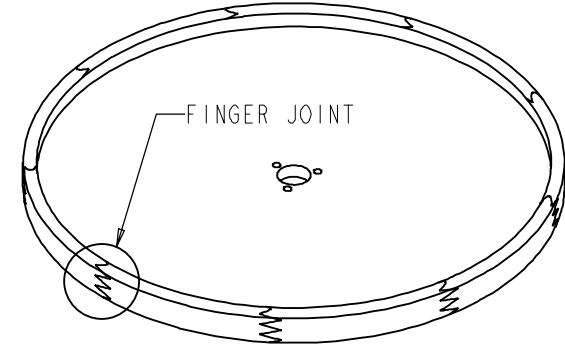
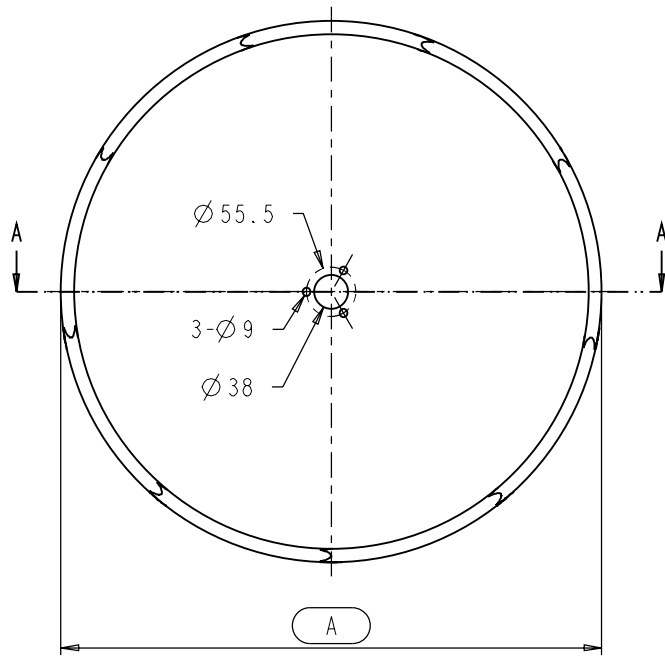
hardware resources	ITEM#:	CROWN		MATERIAL:	ABS
	FINISH:			WEIGHT:	23.30 g
PROPRIETARY AND CONFIDENTIAL	THE INFORMATION CONTAINED IN THIS DRAWING IS THE SOLE PROPERTY OF HARDWARE RESOURCES INC. ANY REPRODUCTION IN PART OR AS A WHOLE WITHOUT THE WRITTEN PERMISSION OF HARDWARE RESOURCES INC. IS PROHIBITED.			PROJECTION:	
TOLERANCE UNLESS OTHERWISE SPECIFIED:	UNITS:	MM	DRAWN BY:	DATE:	
X ±0.20	SIZE:	A4	APPROVED BY:	DATE:	
X.I ±0.10	SHEET:		RELEASE LEVEL:	REVISION:	
X.II ±0.05					
ANGULAR: ±0.5°					
DO NOT SCALE DRAWING					



 PROPRIETARY AND CONFIDENTIAL THE INFORMATION CONTAINED IN THIS DRAWING IS THE SOLE PROPERTY OF HARDWARE RESOURCES INC. ANY REPRODUCTION IN PART OR AS A WHOLE WITHOUT THE WRITTEN PERMISSION OF HARDWARE RESOURCES INC. IS PROHIBITED.	ITEM#		MATERIAL	
	PIPE - INNOR		STEEL	
	FINISH:		WEIGHT: 189.54 g	
	TOLERANCE UNLESS OTHERWISE SPECIFIED: X ± 0.20 X.I ± 0.10 X.II ± 0.05 ANGULAR: $\pm 0.5^\circ$ DO NOT SCALE DRAWING		PROJECTION  UNITS: MM SIZE: A4 SHEET:	
DRAWN BY: <i>Shawn Liu</i> APPROVED BY: RELEASE LEVEL:		DATE: DATE: REVISION:		

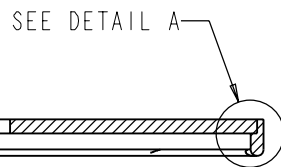


<p>hardware resources</p> <p>PROPRIETARY AND CONFIDENTIAL</p> <p>THE INFORMATION CONTAINED IN THIS DRAWING IS THE SOLE PROPERTY OF HARDWARE RESOURCES INC. ANY REPRODUCTION IN PART OR AS A WHOLE WITHOUT THE WRITTEN PERMISSION OF HARDWARE RESOURCES INC. IS PROHIBITED.</p> <p>DO NOT SCALE DRAWING</p>	ITEM#:		PIPE-OUTER		MATERIAL:	STEEL	
	FINISH:				WEIGHT:	232.20 g	
	TOLERANCE UNLESS OTHERWISE SPECIFIED:		UNITS:	MM	DRAWN BY:	<i>Shawn Liu</i>	
	X ±0.20 X.II ±0.10 X.III ±0.05 ANGULAR: ±0.5°		SIZE:	A4	APPROVED BY:	DATE:	
		SHEET:		RELEASE LEVEL:	REVISION:		



Spec Sheet:

ITEM NO.	A (MM)
LSR18	457.2
LSR24	609.6
LSR28	711.2



DETAIL A
SCALE 1:2

SECTION A-A

<p>hardware resources</p> <p>PROPRIETARY AND CONFIDENTIAL</p> <p>THE INFORMATION CONTAINED IN THIS DRAWING IS THE SOLE PROPERTY OF HARDWARE RESOURCES INC. ANY REPRODUCTION IN PART OR AS A WHOLE WITHOUT THE WRITTEN PERMISSION OF HARDWARE RESOURCES INC. IS PROHIBITED.</p> <p>DO NOT SCALE DRAWING</p>	ITEM NO.	LSR		MATERIAL	PLY WOOD	
	FINISH:			WEIGHT:	9	
	TOLERANCE UNLESS OTHERWISE SPECIFIED:	UNITS:	MM	DRAWN BY:	<i>Shawn Lee</i>	DATE:
	X ±0.20 X.II ±0.10 X.III ±0.05 ANGULAR: ±0.5°	SIZE:	A4	APPROVED BY:		DATE:
	SHEET:		RELEASE LEVEL:		REVISION:	