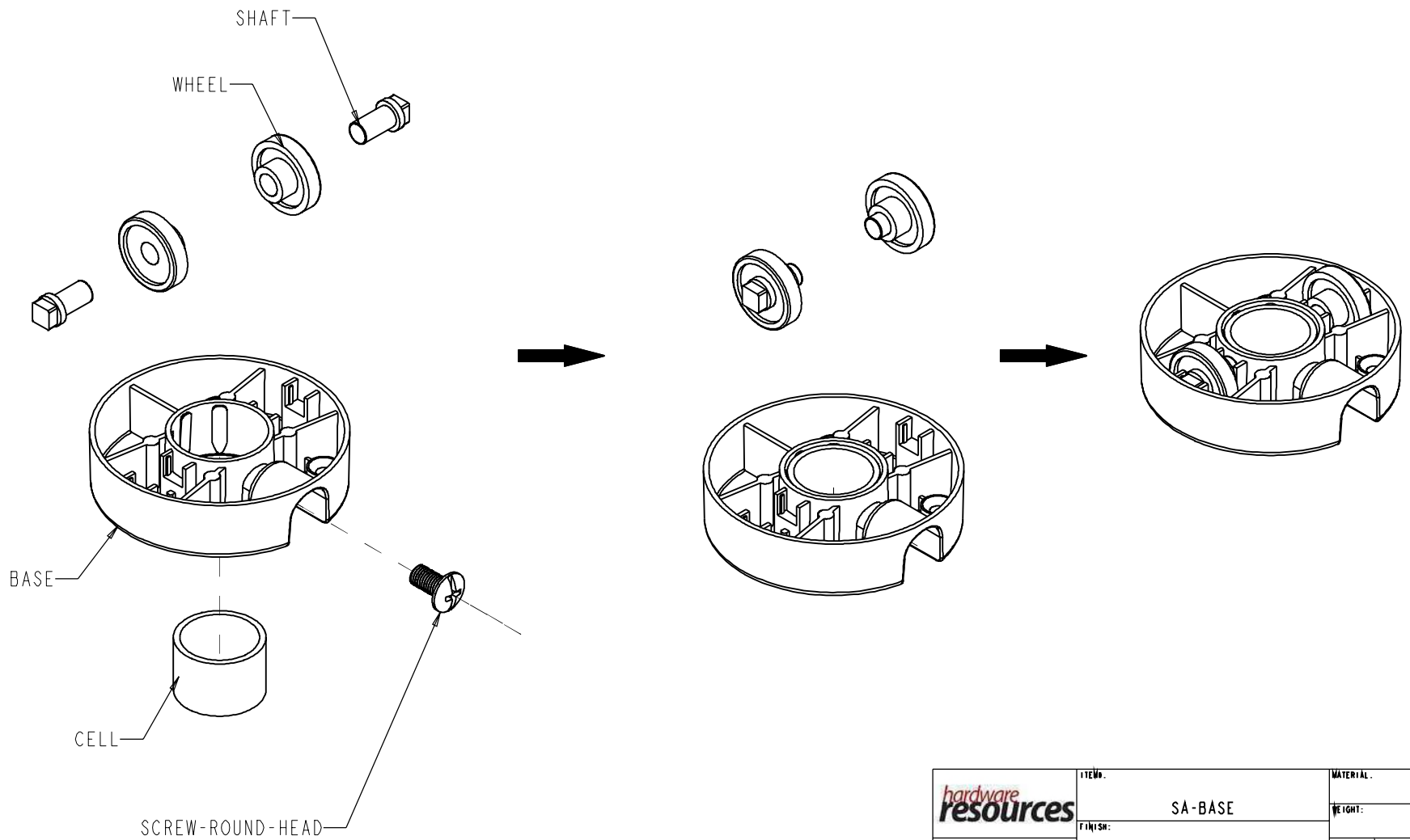


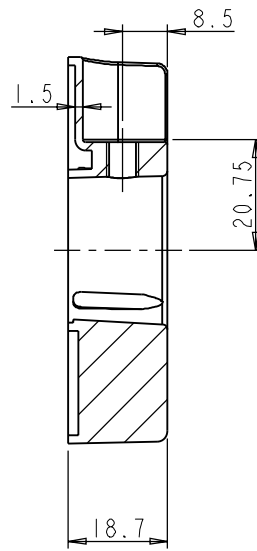
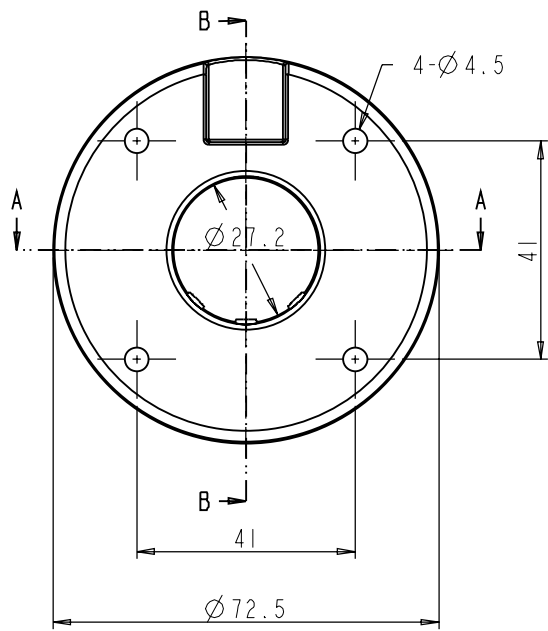
BILLS OF MATERIAL:

NO.	ITEM#	MATERIAL	QTY	UNIT WEIGHT	TOTL WEIGHT	TYPE	ASSY LEVEL
9	SA-INNER-PIPE	ASSEMBLY	1	238.81	238.81	ASSEMBLY	1
8	SA-LOCKER	ASSEMBLY	1	83.83	83.83	ASSEMBLY	1
7	SCREW-FLAT-HEAD-LONG	STEEL	6	1.33	7.95	PART	1
6	SA-COVER	ASSEMBLY	2	140.58	281.16	ASSEMBLY	1
5	LSR	WOOD	2			PART	1
4	SA-CONNECTOR	ASSEMBLY	2	225.90	451.81	ASSEMBLY	1
3	SCREW-WOODEN	STEEL	4	0.71	2.82	PART	1
2	SA-BASE	ASSEMBLY	2	159.39	318.78	ASSEMBLY	1
1	PIPE-OUTER	STEEL	1	326.59	326.59	PART	1

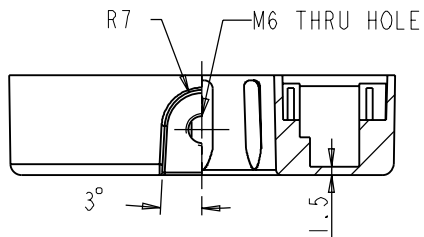
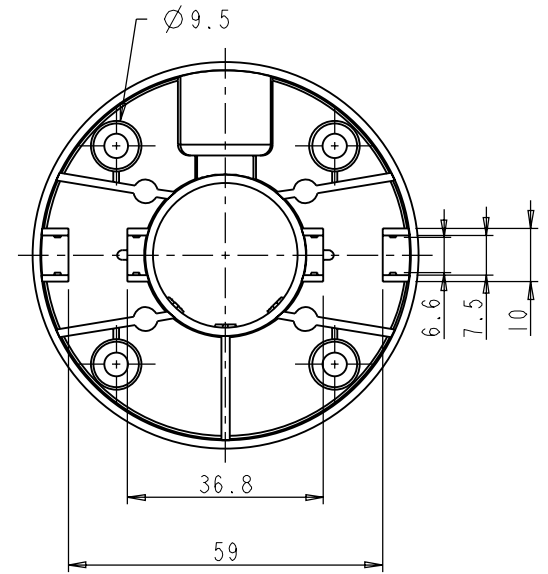
	ITEM#		LSR-SET		MATERIAL		
	FINISH:				WEIGHT:		
PROPRIETARY AND CONFIDENTIAL THE INFORMATION CONTAINED IN THIS DRAWING IS THE SOLE PROPERTY OF HARDWARE RESOURCES INC. ANY REPRODUCTION IN PART OR AS A WHOLE WITHOUT THE WRITTEN PERMISSION OF HARDWARE RESOURCES INC. IS PROHIBITED.		TOLERANCE UNLESS OTHERWISE SPECIFIED: X ±0.20 X.II ±0.10 X.III ±0.05 ANGULAR: ±0.5° DO NOT SCALE DRAWING		UNITS: SIZE: A4 SHEET:		DRAWN BY: <i>Shawn Liu</i> APPROVED BY: DATE: RELEASE LEVEL: REVISION:	
				PROJECTION 		DATE: 9	



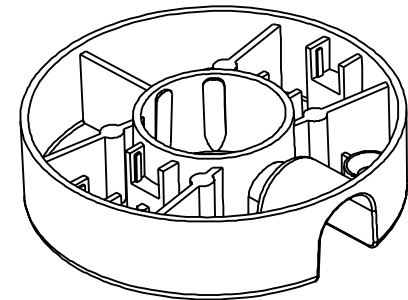
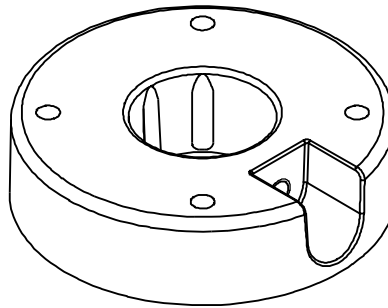
	ITEM# SA-BASE		MATERIAL	
	FINISH:		WEIGHT:	
	PROPRIETARY AND CONFIDENTIAL THE INFORMATION CONTAINED IN THIS DRAWING IS THE SOLE PROPERTY OF HARDWARE RESOURCES INC. ANY REPRODUCTION IN PART OR AS A WHOLE WITHOUT THE WRITTEN PERMISSION OF HARDWARE RESOURCES INC. IS PROHIBITED.		PROJECTION	
	TOLERANCE UNLESS OTHERWISE SPECIFIED: X ±0.20 X.I ±0.10 X.II ±0.05 ANGULAR: ±0.5° DO NOT SCALE DRAWING		UNITS: A4 SHEET:	DRAWN BY: <i>Shankar</i> APPROVED BY: RELEASE LEVEL:



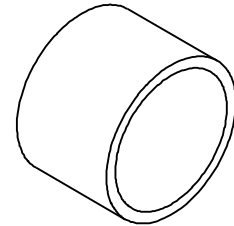
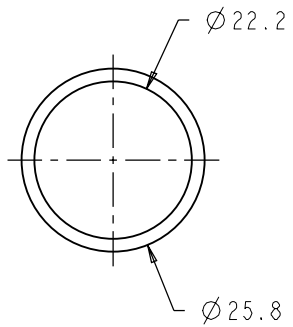
SECTION B-B


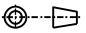



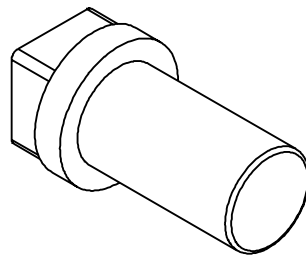
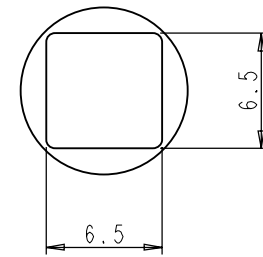
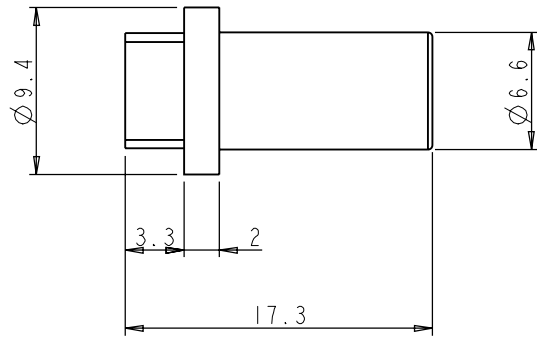
SECTION A-A



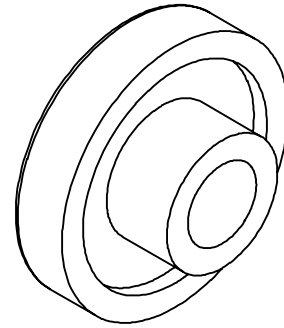
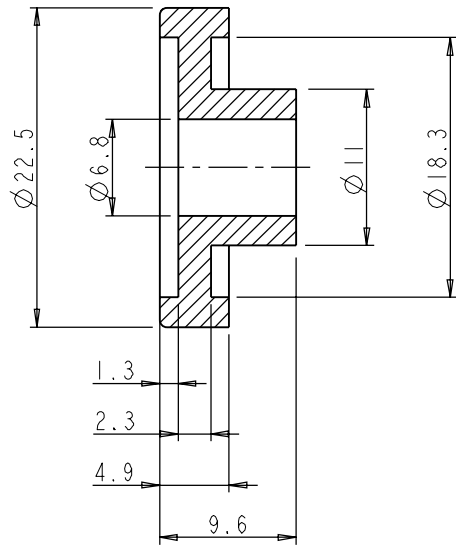
hardware resources PROPRIETARY AND CONFIDENTIAL THE INFORMATION CONTAINED IN THIS DRAWING IS THE SOLE PROPERTY OF HARDWARE RESOURCES INC. ANY REPRODUCTION IN PART OR AS A WHOLE WITHOUT THE WRITTEN PERMISSION OF HARDWARE RESOURCES INC. IS PROHIBITED.	ITEM#:	BASE		MATERIAL:	ZINC
	FINISH:			WEIGHT:	133.30 g
		UNITS:	MM	PROJECTION:	
		SIZE:	A4	APPROVED BY:	<i>Shawn Liu</i>
		SHEET:		RELEASE LEVEL:	
		DO NOT SCALE DRAWING		DATE:	
				DATE:	
				REVISION:	




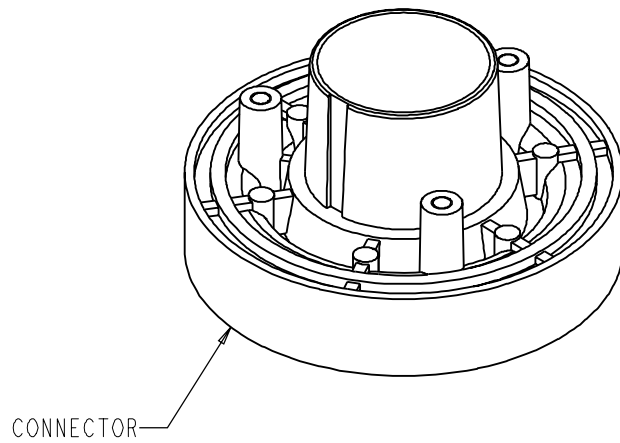
 PROPRIETARY AND CONFIDENTIAL THE INFORMATION CONTAINED IN THIS DRAWING IS THE SOLE PROPERTY OF HARDWARE RESOURCES INC. ANY REPRODUCTION IN PART OR AS A WHOLE WITHOUT THE WRITTEN PERMISSION OF HARDWARE RESOURCES INC. IS PROHIBITED.	ITEM:	CELL		MATERIAL:	PA
	FINISH:			WEIGHT:	2.80 g
	PROJECTION:				
	TOLERANCE UNLESS OTHERWISE SPECIFIED: X ±0.20 X.I ±0.10 X.II ±0.05 ANGULAR: ±0.5° DO NOT SCALE DRAWING	UNITS:	MM	DRAWN BY:	
	SIZE:	A4	APPROVED BY:	DATE:	
	SHEET:		RELEASE LEVEL:	REVISION:	



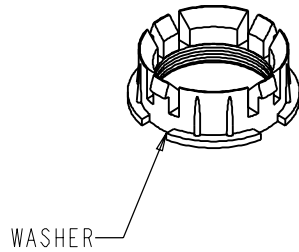
<p>hardware resources</p> <p>PROPRIETARY AND CONFIDENTIAL</p> <p>THE INFORMATION CONTAINED IN THIS DRAWING IS THE SOLE PROPERTY OF HARDWARE RESOURCES INC. ANY REPRODUCTION IN PART OR AS A WHOLE WITHOUT THE WRITTEN PERMISSION OF HARDWARE RESOURCES INC. IS PROHIBITED.</p> <p>DO NOT SCALE DRAWING</p>	ITEM:	SHAFT		MATERIAL:	ABS
	FINISH:			WEIGHT:	0.50 g
	PROJECTION:				
	TOLERANCE UNLESS OTHERWISE SPECIFIED: X ± 0.20 X.I ± 0.10 X.II ± 0.05 ANGULAR: $\pm 0.5^\circ$	UNITS:	MM	DRAWN BY:	
	SIZE:	A4	APPROVED BY:	DATE:	
	SHEET:		RELEASE LEVEL:	REVISION:	



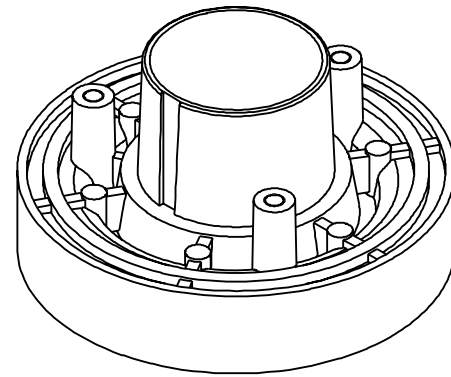
 PROPRIETARY AND CONFIDENTIAL THE INFORMATION CONTAINED IN THIS DRAWING IS THE SOLE PROPERTY OF HARDWARE RESOURCES INC. ANY REPRODUCTION IN PART OR AS A WHOLE WITHOUT THE WRITTEN PERMISSION OF HARDWARE RESOURCES INC. IS PROHIBITED.	ITEM:	WHEEL		MATERIAL:	ABS	
	FINISH:			WEIGHT:	1.30 g	
	TOLERANCE UNLESS OTHERWISE SPECIFIED:	UNITS:	MM	DRAWN BY:	<i>Shawn Liu</i>	DATE:
	X ±0.20 X.I ±0.10 X.II ±0.05 ANGULAR: ±0.5° DO NOT SCALE DRAWING	SIZE:	A4	APPROVED BY:		DATE:
	SHEET:		RELEASE LEVEL:		REVISION:	



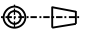


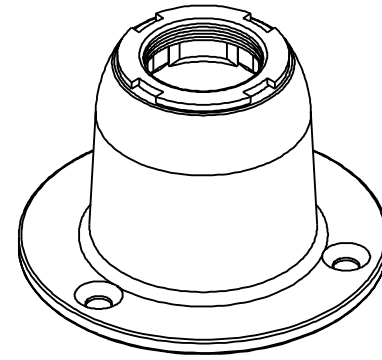
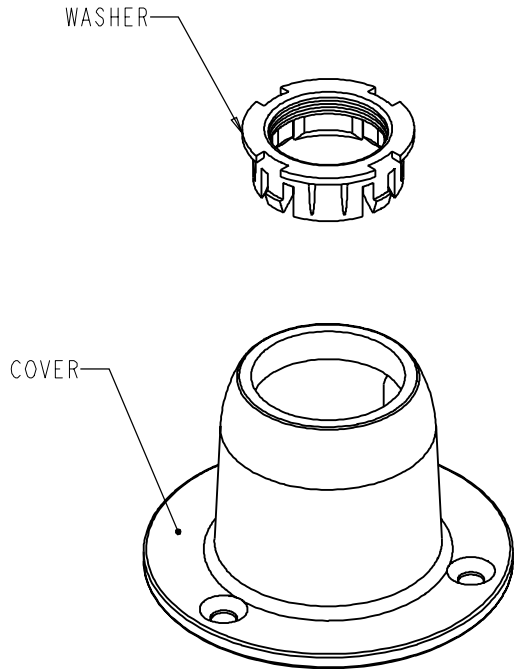
CONNECTOR


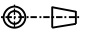


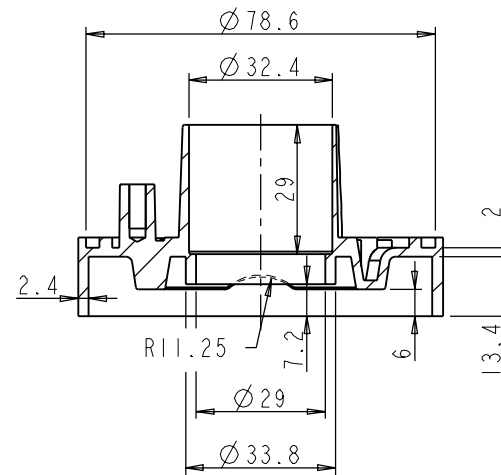
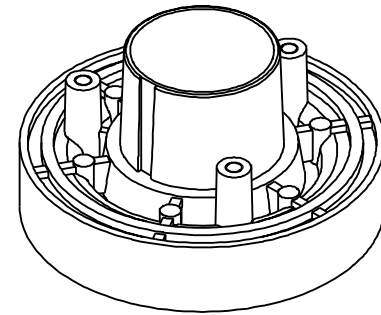
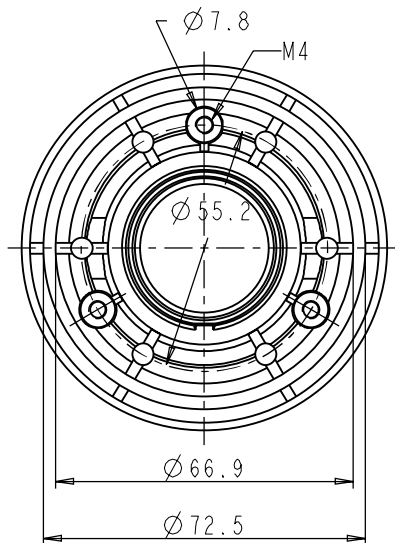
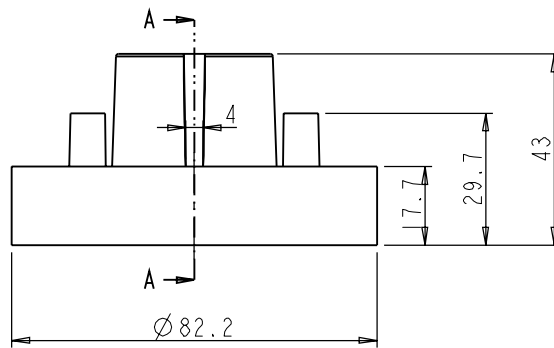
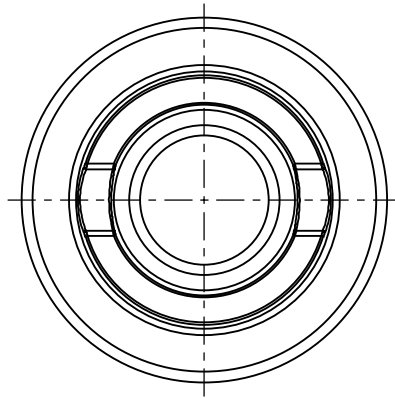
WASHER



	ITEM# SA-CONNECTOR		MATERIAL		
	FINISH:		WEIGHT: 9		
PROPRIETARY AND CONFIDENTIAL THE INFORMATION CONTAINED IN THIS DRAWING IS THE SOLE PROPERTY OF HARDWARE RESOURCES INC. ANY REPRODUCTION IN PART OR AS A WHOLE WITHOUT THE WRITTEN PERMISSION OF HARDWARE RESOURCES INC. IS PROHIBITED.	TOLERANCE UNLESS OTHERWISE SPECIFIED: X ±0.20 X.I ±0.10 X.II ±0.05 ANGULAR: ±0.5° DO NOT SCALE DRAWING		UNITS: A4	DRAWN BY: 	DATE:
	APPROVED BY:		DATE:		
	SHEET:		RELEASE LEVEL:		REVISION:
	PROJECTION				

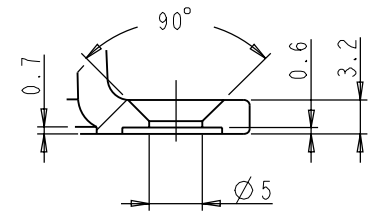
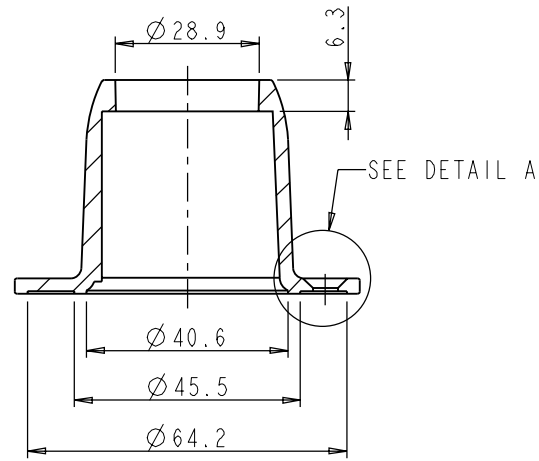
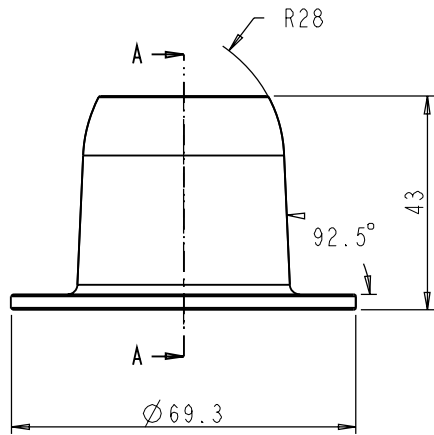
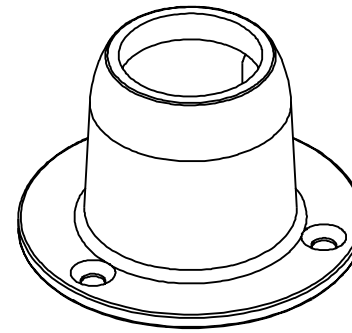
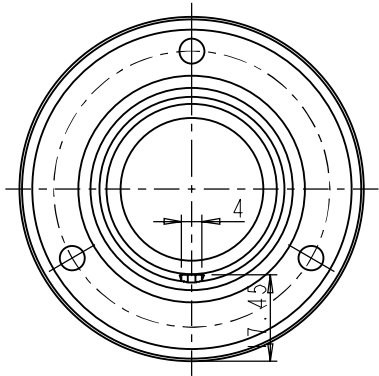


 PROPRIETARY AND CONFIDENTIAL THE INFORMATION CONTAINED IN THIS DRAWING IS THE SOLE PROPERTY OF HARDWARE RESOURCES INC. ANY REPRODUCTION IN PART OR AS A WHOLE WITHOUT THE WRITTEN PERMISSION OF HARDWARE RESOURCES INC. IS PROHIBITED.	ITEM#:	SA-COVER		MATERIAL:
	FINISH:			WEIGHT:
	TOLERANCE UNLESS OTHERWISE SPECIFIED: X ±0.20 X.I ±0.10 X.II ±0.05 ANGULAR: ±0.5° DO NOT SCALE DRAWING	UNITS:	DRAWN BY: <i>Shanika</i>	DATE:
	SIZE: A4	APPROVED BY:	DATE:	
	SHEET:	RELEASE LEVEL:	REVISION:	
				9
				PROJECTION 

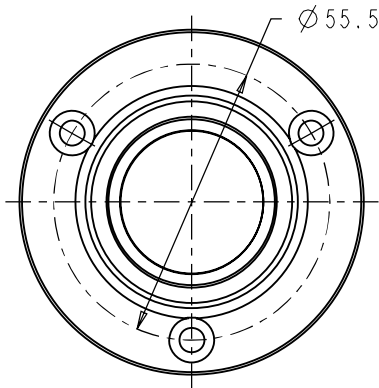


SECTION A-A

<p>hardware resources</p> <p>PROPRIETARY AND CONFIDENTIAL</p> <p>THE INFORMATION CONTAINED IN THIS DRAWING IS THE SOLE PROPERTY OF HARDWARE RESOURCES INC. ANY REPRODUCTION IN PART OR AS A WHOLE WITHOUT THE WRITTEN PERMISSION OF HARDWARE RESOURCES INC. IS PROHIBITED.</p>	ITEM#:	CONNECTOR		MATERIAL:	ZINC
	FINISH:			WEIGHT:	236.00 g
	TOLERANCE UNLESS OTHERWISE SPECIFIED:	UNITS:	MM	DRAWN BY:	<i>Shawn Liu</i>
	X ±0.20 X.I ±0.10 X.II ±0.05 ANGULAR: ±0.5° DO NOT SCALE DRAWING	SIZE:	A4	APPROVED BY:	
	SHEET:		RELEASE LEVEL:	REVISION:	

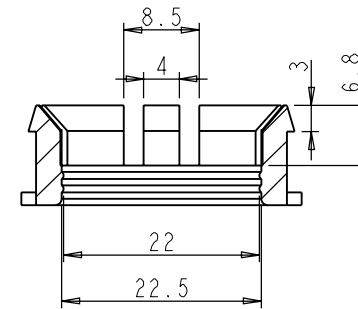
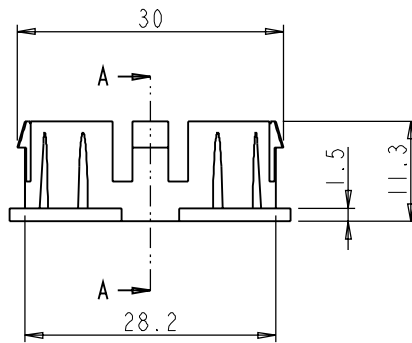
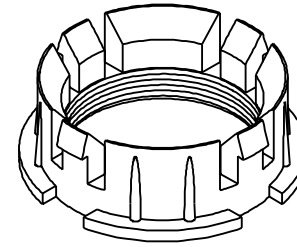
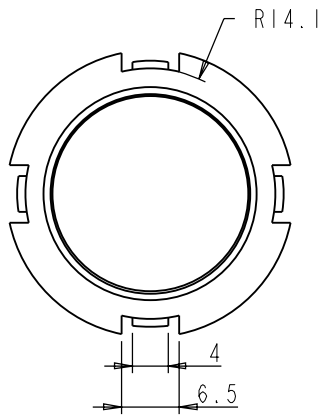


DETAIL A
SCALE 3:2

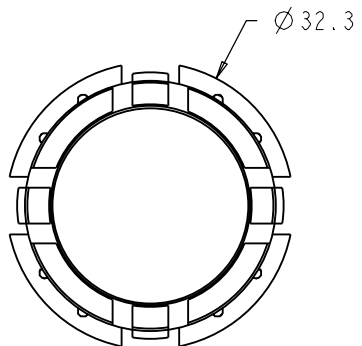


SECTION A-A

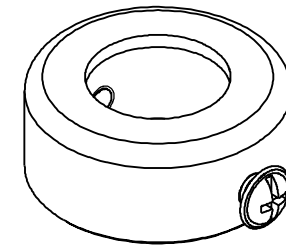
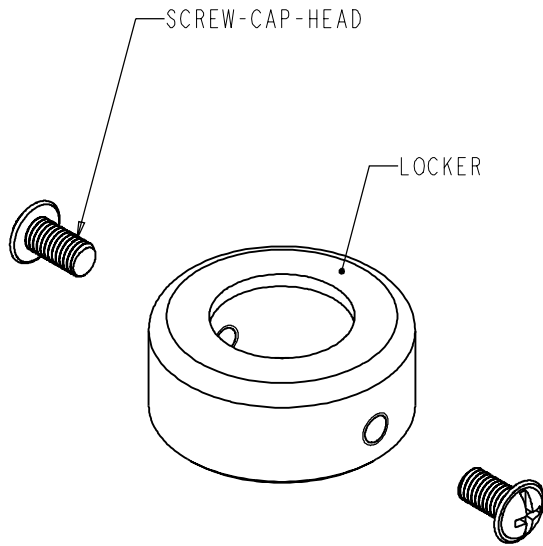
<p>hardware resources</p> <p>PROPRIETARY AND CONFIDENTIAL</p> <p>THE INFORMATION CONTAINED IN THIS DRAWING IS THE SOLE PROPERTY OF HARDWARE RESOURCES INC. ANY REPRODUCTION IN PART OR AS A WHOLE WITHOUT THE WRITTEN PERMISSION OF HARDWARE RESOURCES INC. IS PROHIBITED.</p>	ITEM#:	COVER		MATERIAL:	ZINC
	FINISH:			WEIGHT:	136.50 g
	PROJECTION:			PROJECTION:	
	<p>DO NOT SCALE DRAWING</p>	<p>UNIT#:</p> <p>MM</p>	<p>DATE:</p>	<p>DATE:</p>	<p>DATE:</p>
<p>TOLEANCE UNLESS OTHERWISE SPECIFIED:</p> <p>X ±0.20</p> <p>X.I ±0.10</p> <p>X.II ±0.05</p> <p>ANGULAR: ±0.5°</p>	<p>SIZE:</p> <p>A4</p>	<p>APPROVED BY:</p>	<p>DATE:</p>	<p>DATE:</p>	<p>DATE:</p>
	<p>SHEET:</p>	<p>RELEASE LEVEL:</p>	<p>REVISION:</p>		


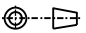



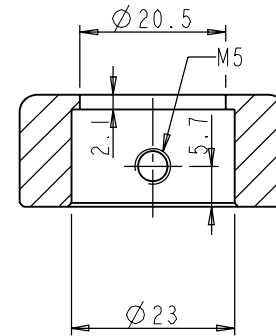
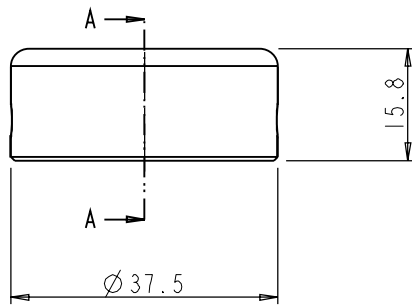
SECTION A-A



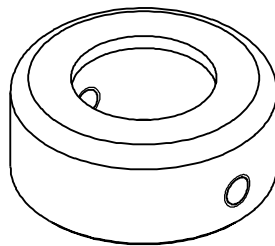
<p>hardware resources</p> <p>PROPRIETARY AND CONFIDENTIAL</p> <p>THE INFORMATION CONTAINED IN THIS DRAWING IS THE SOLE PROPERTY OF HARDWARE RESOURCES INC. ANY REPRODUCTION IN PART OR AS A WHOLE WITHOUT THE WRITTEN PERMISSION OF HARDWARE RESOURCES INC. IS PROHIBITED.</p> <p>DO NOT SCALE DRAWING</p>	ITEM#:	WASHER		MATERIAL:	PA	
	FINISH:			WEIGHT:	2.90 g	
	TOLERANCE UNLESS OTHERWISE SPECIFIED:	UNITS:	MM	DRAWN BY:	<i>Shawn Liu</i>	DATE:
	X ±0.20 X.I ±0.10 X.II ±0.05 ANGULAR: ±0.5°	SIZE:	A4	APPROVED BY:		DATE:
	SHEET:		RELEASE LEVEL:		REVISION:	



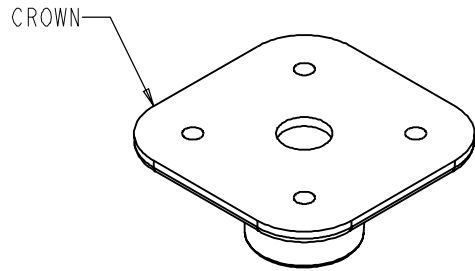
 PROPRIETARY AND CONFIDENTIAL THE INFORMATION CONTAINED IN THIS DRAWING IS THE SOLE PROPERTY OF HARDWARE RESOURCES INC. ANY REPRODUCTION IN PART OR AS A WHOLE WITHOUT THE WRITTEN PERMISSION OF HARDWARE RESOURCES INC. IS PROHIBITED.	ITEM#:	SA-LOCKER		MATERIAL:
	FINISH:			WEIGHT:
	PROJECTION			9
	TOLERANCE UNLESS OTHERWISE SPECIFIED: X ±0.20 X.I ±0.10 X.II ±0.05 ANGULAR ±0.5° DO NOT SCALE DRAWING	UNITS:	DRAWN BY: 	DATE:
	SIZE: A4	APPROVED BY:	DATE:	
	SHEET:	RELEASE LEVEL:	REVISION:	



SECTION A-A



<p>hardware resources</p> <p>PROPRIETARY AND CONFIDENTIAL</p> <p>THE INFORMATION CONTAINED IN THIS DRAWING IS THE SOLE PROPERTY OF HARDWARE RESOURCES INC. ANY REPRODUCTION IN PART OR AS A WHOLE WITHOUT THE WRITTEN PERMISSION OF HARDWARE RESOURCES INC. IS PROHIBITED.</p> <p>DO NOT SCALE DRAWING</p>	ITEM:	LOCKER		MATERIAL:	STEEL
	FINISH:			WEIGHT:	83.00 g
	PROJECTION:				
	TOLERANCE UNLESS OTHERWISE SPECIFIED: X ±0.20 X.I ±0.10 X.II ±0.05 ANGULAR: ±0.5°	UNITS:	MM	DRAWN BY:	
	SIZE:	A4	APPROVED BY:	DATE:	
	SHEET:		RELEASE LEVEL:	REVISION:	

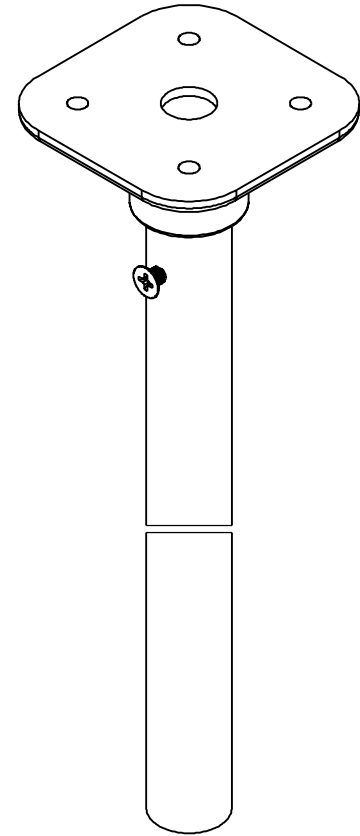


CROWN

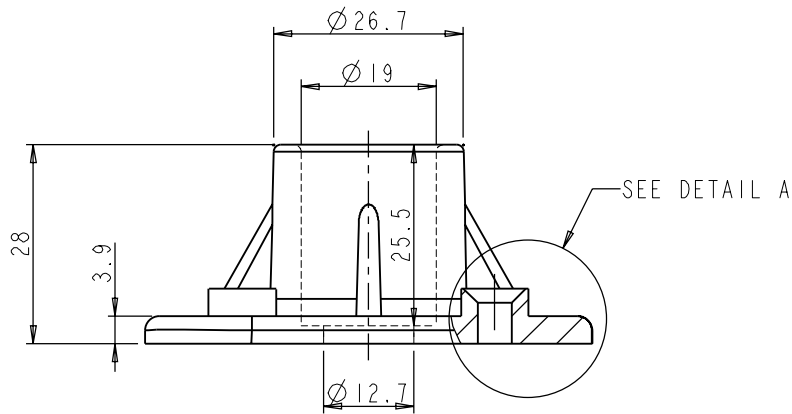
SCREW-FALT-HEAD-SHORT



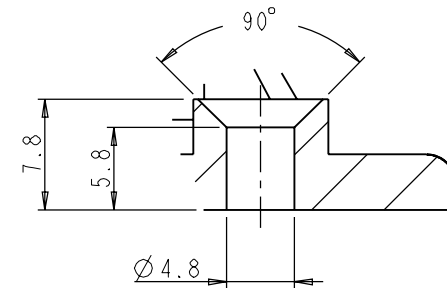
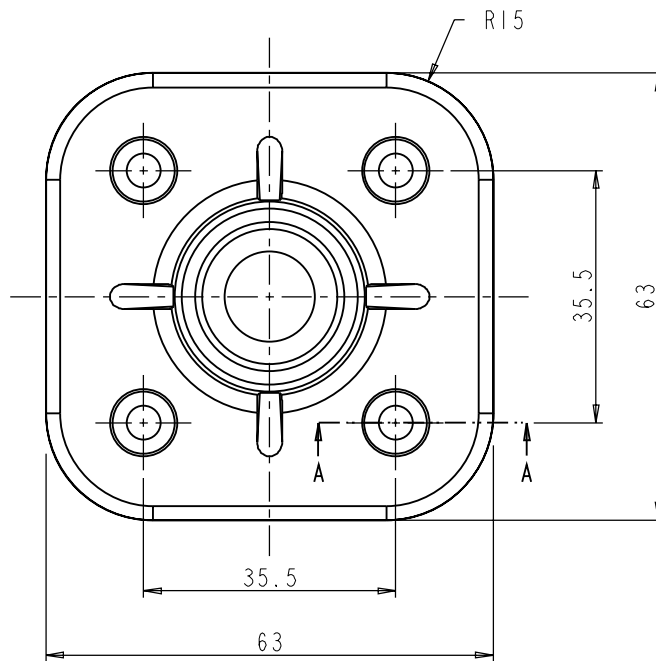
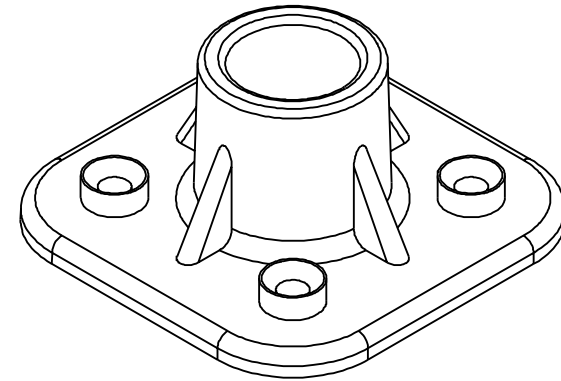
PIPE - INNOR



<p>hardware resources</p> <p>PROPRIETARY AND CONFIDENTIAL</p> <p>THE INFORMATION CONTAINED IN THIS DRAWING IS THE SOLE PROPERTY OF HARDWARE RESOURCES INC. ANY REPRODUCTION IN PART OR AS A WHOLE WITHOUT THE WRITTEN PERMISSION OF HARDWARE RESOURCES INC. IS PROHIBITED.</p> <p>DO NOT SCALE DRAWING</p>	ITEM#:	SA - INNER-PIPE		MATERIAL:
	FINISH:			WEIGHT:
	PROJECTION			9
	TOLERANCE UNLESS OTHERWISE SPECIFIED:	UNITS:	<p>DRW BY: <i>Shanley</i></p> <p>APPROVED BY:</p> <p>DATE:</p>	DATE:
<p>X ±0.20</p> <p>X.I ±0.10</p> <p>X.II ±0.05</p> <p>ANGULAR: ±0.5°</p>	<p>SIZE: A4</p> <p>SHEET:</p>	<p>RELEASE LEVEL:</p>	<p>REVISION:</p>	

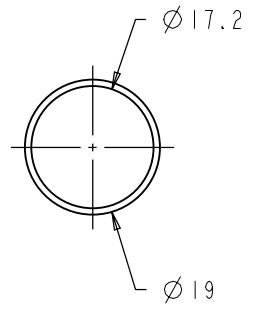
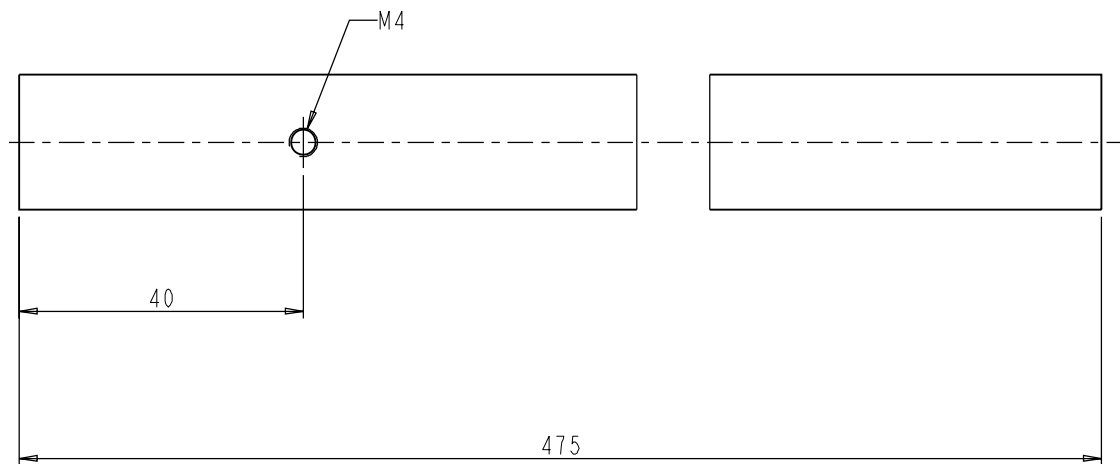


SECTION A-A

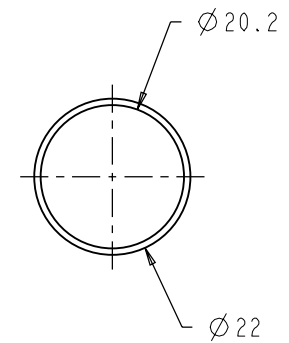
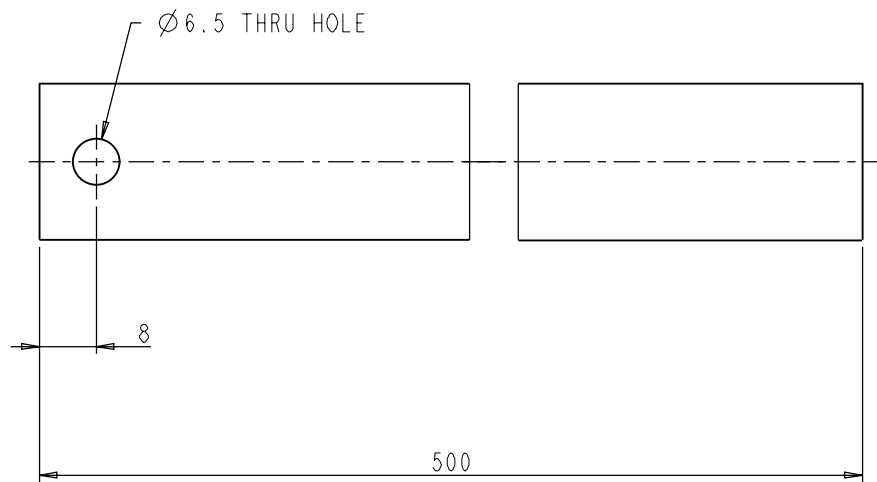



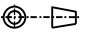
DETAIL A
SCALE 2:1

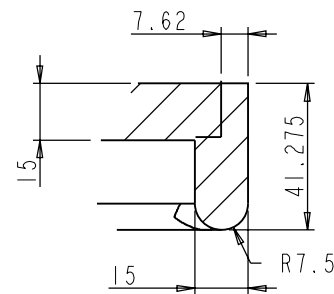
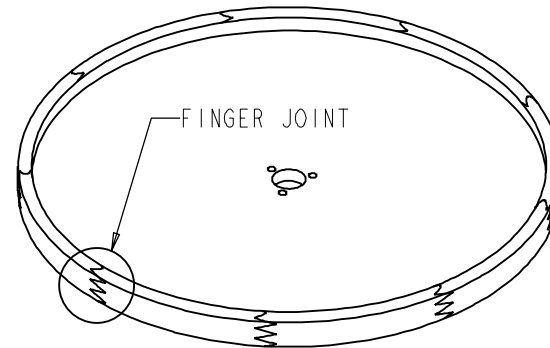
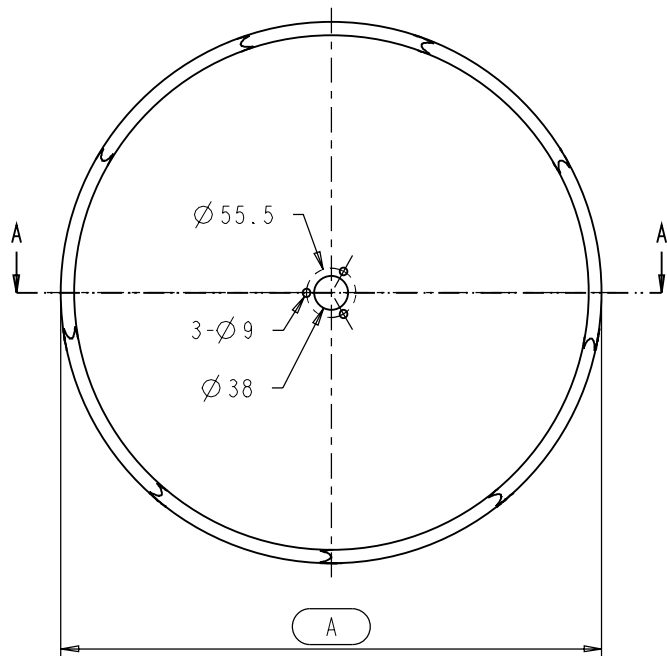
	ITEM#:	CROWN		MATERIAL:	ABS
	FINISH:			WEIGHT:	23.30 g
PROPRIETARY AND CONFIDENTIAL THE INFORMATION CONTAINED IN THIS DRAWING IS THE SOLE PROPERTY OF HARDWARE RESOURCES INC. ANY REPRODUCTION IN PART OR AS A WHOLE WITHOUT THE WRITTEN PERMISSION OF HARDWARE RESOURCES INC. IS PROHIBITED.	TOLERANCE UNLESS OTHERWISE SPECIFIED: X ±0.20 X.I ±0.10 X.II ±0.05 ANGULAR: ±0.5° DO NOT SCALE DRAWING	UNITS: MM SIZE: A4 SHEET:	DRAWN BY: <i>Shawn Liu</i> APPROVED BY: RELEASE LEVEL:	PROJECTION: 	DATE: DATE: REVISION:



	ITEM: PIPE - INNOR		MATERIAL: STEEL	
	FINISH:		WEIGHT: 189.54 g	
	PROPRIETARY AND CONFIDENTIAL THE INFORMATION CONTAINED IN THIS DRAWING IS THE SOLE PROPERTY OF HARDWARE RESOURCES INC. ANY REPRODUCTION IN PART OR AS A WHOLE WITHOUT THE WRITTEN PERMISSION OF HARDWARE RESOURCES INC. IS PROHIBITED.		PROJECTION 	
	TOLERANCE UNLESS OTHERWISE SPECIFIED: X ±0.20 X.I ±0.10 X.II ±0.05 ANGULAR: ±0.5° DO NOT SCALE DRAWING		UNITS: MM SIZE: A4 SHEET:	DRAWN BY: <i>Shawn Liu</i> APPROVED BY: RELEASE LEVEL: REVISION:



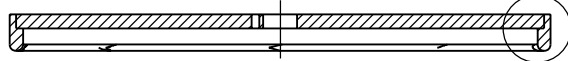
 PROPRIETARY AND CONFIDENTIAL THE INFORMATION CONTAINED IN THIS DRAWING IS THE SOLE PROPERTY OF HARDWARE RESOURCES INC. ANY REPRODUCTION IN PART OR AS A WHOLE WITHOUT THE WRITTEN PERMISSION OF HARDWARE RESOURCES INC. IS PROHIBITED.	ITEM#:		MATERIAL: STEEL	
	PIPE-OUTER		WEIGHT: 232.20 g	
	FINISH:		PROJECTION 	
	TOLERANCE UNLESS OTHERWISE SPECIFIED: X ±0.20 X.I ±0.10 X.II ±0.05 ANGULAR: ±0.5° DO NOT SCALE DRAWING		UNITS: MM	DRAWN BY: <i>Shawn Liu</i>
		SIZE: A4	APPROVED BY:	DATE:
		SHEET:	RELEASE LEVEL:	REVISION:



Spec Sheet:

ITEM NO.	A (MM)
LSR18	457.2
LSR24	609.6
LSR28	711.2

SEE DETAIL A



DETAIL A
SCALE 1:2

SECTION A-A

<p>hardware resources</p> <p>PROPRIETARY AND CONFIDENTIAL</p> <p>THE INFORMATION CONTAINED IN THIS DRAWING IS THE SOLE PROPERTY OF HARDWARE RESOURCES INC. ANY REPRODUCTION IN PART OR AS A WHOLE WITHOUT THE WRITTEN PERMISSION OF HARDWARE RESOURCES INC. IS PROHIBITED.</p> <p>DO NOT SCALE DRAWING</p>	ITEM NO.	LSR		MATERIAL	PLY WOOD
	FINISH:			WEIGHT:	9
	TOLERANCE UNLESS OTHERWISE SPECIFIED:	UNITS:	MM	DRAWN BY:	DATE:
	X ± 0.20 X.I ± 0.10 X.II ± 0.05 ANGULAR: $\pm 0.5^\circ$	SIZE:	A4	APPROVED BY:	DATE:
	SHEET:		RELEASE LEVEL:	REVISION:	