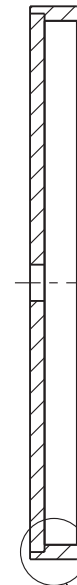
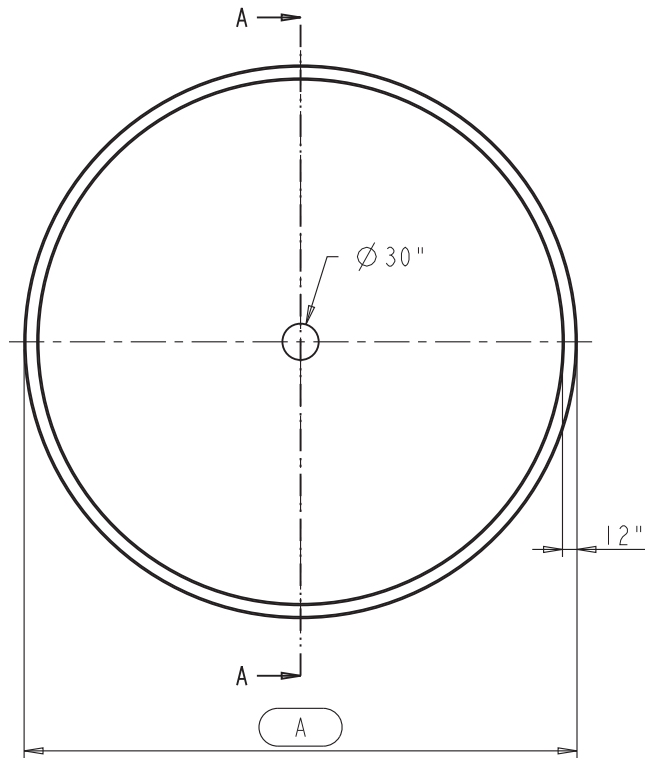


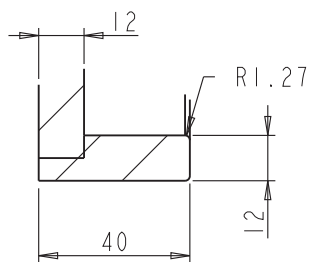
| | | | | |
|---|---------------------------------------|-----------|-----------------|------------|
| <p>hardware resources</p> <p><small>PROPRIETARY AND CONFIDENTIAL</small></p> <p><small>THE INFORMATION CONTAINED IN THIS DRAWING IS THE SOLE PROPERTY OF HARDWARE RESOURCES INC. ANY REPRODUCTION IN PART OR AS A WHOLE WITHOUT THE WRITTEN PERMISSION OF HARDWARE RESOURCES INC. IS PROHIBITED.</small></p> | ITEM: | BLSR3-SET | | MATERIAL: |
| | FINISH: | | | WEIGHT: |
| | | | | PROJECTION |
| | | | | |
| | TOLERANCE UNLESS OTHERWISE SPECIFIED: | UNITS: | DRAWN BY: | DATE: |
| | X ±0.20 | | <i>Alan Liu</i> | |
| | X.X ±0.10 | SIZE: | APPROVED BY: | DATE: |
| | X.XX ±0.05 | A4 | | |
| | ANGULAR: ±0.5° | SHEET: | RELEASE LEVEL: | REVISION: |
| DO NOT SCALE DRAWING | | 1 OF 1 | | |



SEE DETAIL A

Spec Sheet:

| | |
|----------|-------|
| Item NO. | A |
| BLSR18 | 457.2 |
| BLSR20 | 508 |
| BLSR24 | 609.6 |
| BLSR28 | 711.2 |



DETAIL A
 SCALE 1:2

| | | | | | |
|--|---|--|--|---|-----------------------------|
| | ITEM: BLSR | | MATERIAL: | | |
| | FINISH: | | WEIGHT: | | |
| PROPRIETARY AND CONFIDENTIAL THE INFORMATION CONTAINED IN THIS DRAWING IS THE SOLE PROPERTY OF HARDWARE RESOURCES INC. ANY REPRODUCTION IN PART OR AS A WHOLE WITHOUT THE WRITTEN PERMISSION OF HARDWARE RESOURCES INC. IS PROHIBITED. | TOLERANCE UNLESS OTHERWISE SPECIFIED: X ±0.20 X.X ±0.10 X.XX ±0.05 ANGULAR: ±0.5° | | UNITS: MM SIZE: A4 SHEET: 1 OF 1 | DRAWN BY: <i>Alan Liu</i> APPROVED BY: RELEASE LEVEL: | DATE: DATE: REVISION: |
| | DO NOT SCALE DRAWING | | PROJECTION | | |
| | | | | | 9 |
| | | | | | |