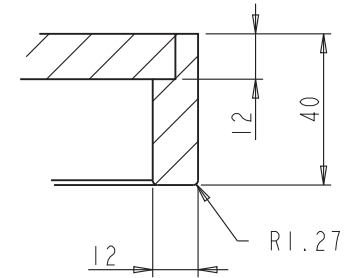
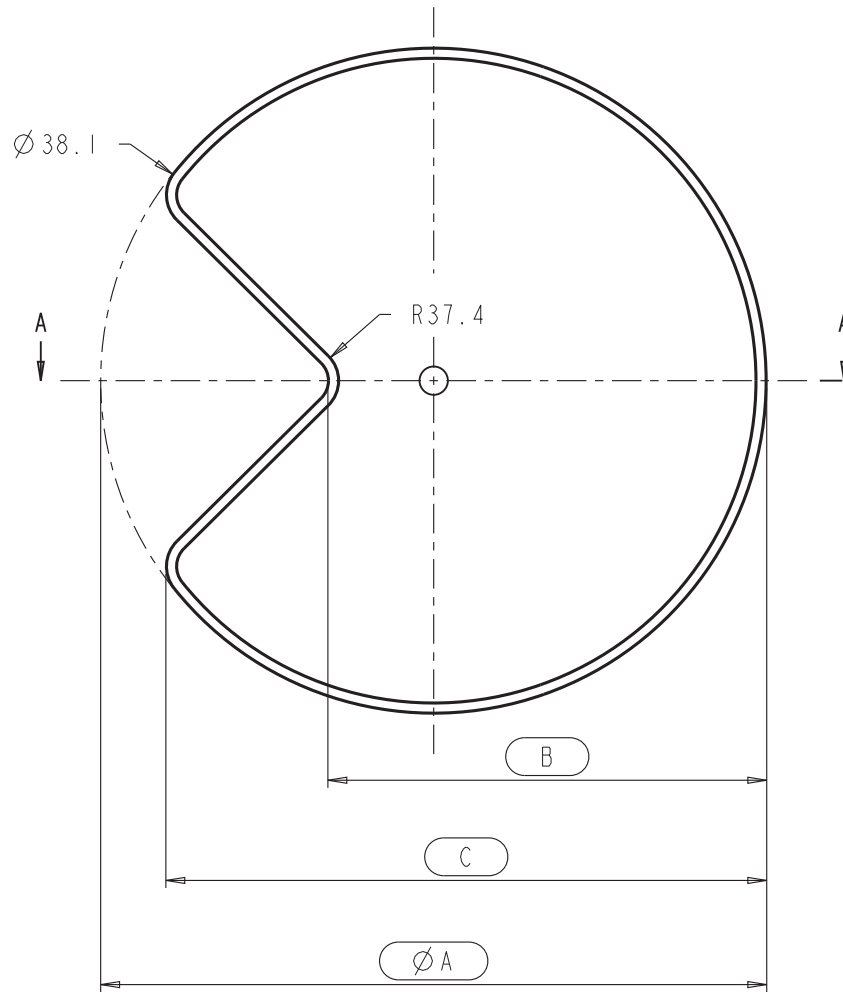
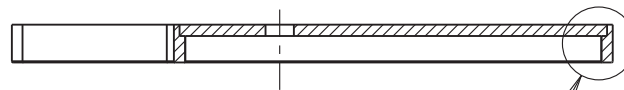
 PROPRIETARY AND CONFIDENTIAL THE INFORMATION CONTAINED IN THIS DRAWING IS THE SOLE PROPERTY OF HARDWARE RESOURCES INC. ANY REPRODUCTION IN PART OR AS A WHOLE WITHOUT THE WRITTEN PERMISSION OF HARDWARE RESOURCES INC. IS PROHIBITED.	ITEM#: BLSK-SET	MATERIAL:
	FINISH:	WEIGHT:
TOLERANCE UNLESS OTHERWISE SPECIFIED: X ±0.20 X.X ±0.10 X.XX ±0.05 ANGULAR: ±0.5° DO NOT SCALE DRAWING	UNITS:	DRAWN BY: <i>Alan Liu</i>
	SIZE: A4	APPROVED BY:
	SHEET: 1 OF 1	RELEASE LEVEL:
	DATE:	DATE:
	REVISION:	REVISION:



DETAIL A
 SCALE 1:2



SEE DETAIL A

SECTION A-A

Spec Sheet:

Item NO.	A (mm)	B (mm)	C (mm)
BLSK24	608	374	532.5
BLSK28	705	464.5	636
BLSK32	806.5	557.2	740.5

hardware resources PROPRIETARY AND CONFIDENTIAL THE INFORMATION CONTAINED IN THIS DRAWING IS THE SOLE PROPERTY OF HARDWARE RESOURCES INC. ANY REPRODUCTION IN PART OR AS A WHOLE WITHOUT THE WRITTEN PERMISSION OF HARDWARE RESOURCES INC. IS PROHIBITED.	ITEM: BLSK		MATERIAL:	
	FINISH:		WEIGHT:	
	TOLERANCE UNLESS OTHERWISE SPECIFIED: X ±0.20 X.X ±0.10 X.XX ±0.05 ANGULAR: ±0.5°		UNITS: MM	DRAWN BY: Alan Liu
DO NOT SCALE DRAWING		SIZE: A4	APPROVED BY:	DATE:
		SHEET: 1 OF 1	RELEASE LEVEL:	REVISION: