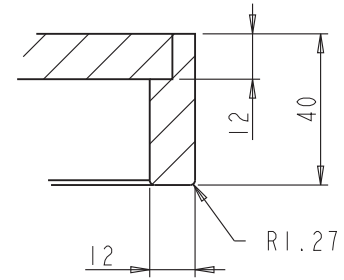
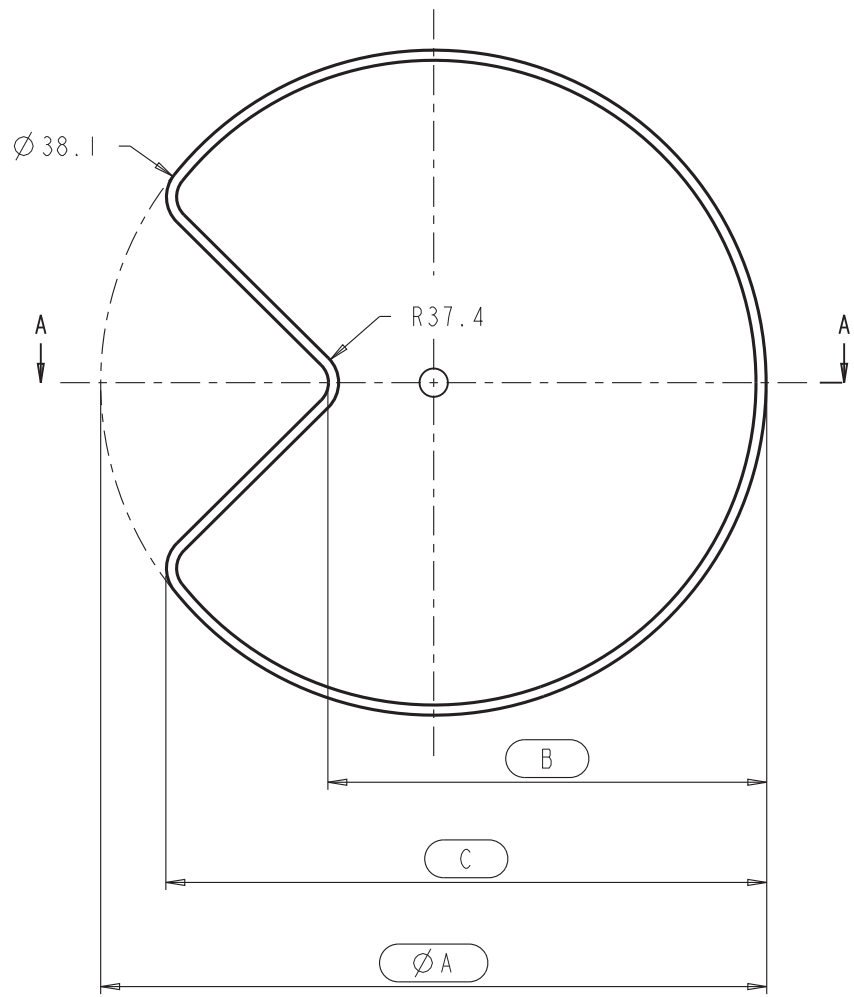
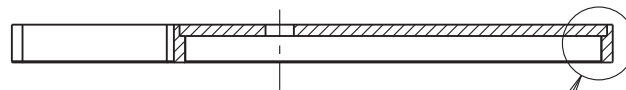
 PROPRIETARY AND CONFIDENTIAL THE INFORMATION CONTAINED IN THIS DRAWING IS THE SOLE PROPERTY OF HARDWARE RESOURCES INC. ANY REPRODUCTION IN PART OR AS A WHOLE WITHOUT THE WRITTEN PERMISSION OF HARDWARE RESOURCES INC. IS PROHIBITED.	ITEM#: BLSK-SET	MATERIAL:
	FINISH:	WEIGHT:
TOLERANCE UNLESS OTHERWISE SPECIFIED: X ±0.20 X.X ±0.10 X.XX ±0.05 ANGULAR: ±0.5° DO NOT SCALE DRAWING	UNITS:	DRAWN BY: <i>Alan Liu</i>
	SIZE: A4	APPROVED BY:
	SHEET: 1 OF 1	RELEASE LEVEL:
		DATE:
		DATE:
		REVISION:



DETAIL A  
 SCALE 1:2



SEE DETAIL A

SECTION A-A

Spec Sheet:

Item NO.	A (mm)	B (mm)	C (mm)
BLSK24	608	374	532.5
BLSK28	705	464.5	636
BLSK32	806.5	557.2	740.5

<b>hardware resources</b> PROPRIETARY AND CONFIDENTIAL THE INFORMATION CONTAINED IN THIS DRAWING IS THE SOLE PROPERTY OF HARDWARE RESOURCES INC. ANY REPRODUCTION IN PART OR AS A WHOLE WITHOUT THE WRITTEN PERMISSION OF HARDWARE RESOURCES INC. IS PROHIBITED.	ITEM#: BLSK		MATERIAL:	
	FINISH:		WEIGHT:	
	TOLERANCE UNLESS OTHERWISE SPECIFIED: X ±0.20 X.X ±0.10 X.XX ±0.05 ANGULAR: ±0.5°		UNITS: MM	DRAWN BY: Alan Liu
DO NOT SCALE DRAWING		SIZE: A4	APPROVED BY:	DATE:
		SHEET: 1 OF 1	RELEASE LEVEL:	REVISION: