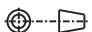
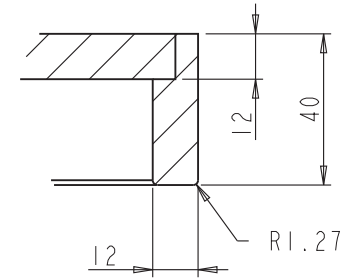
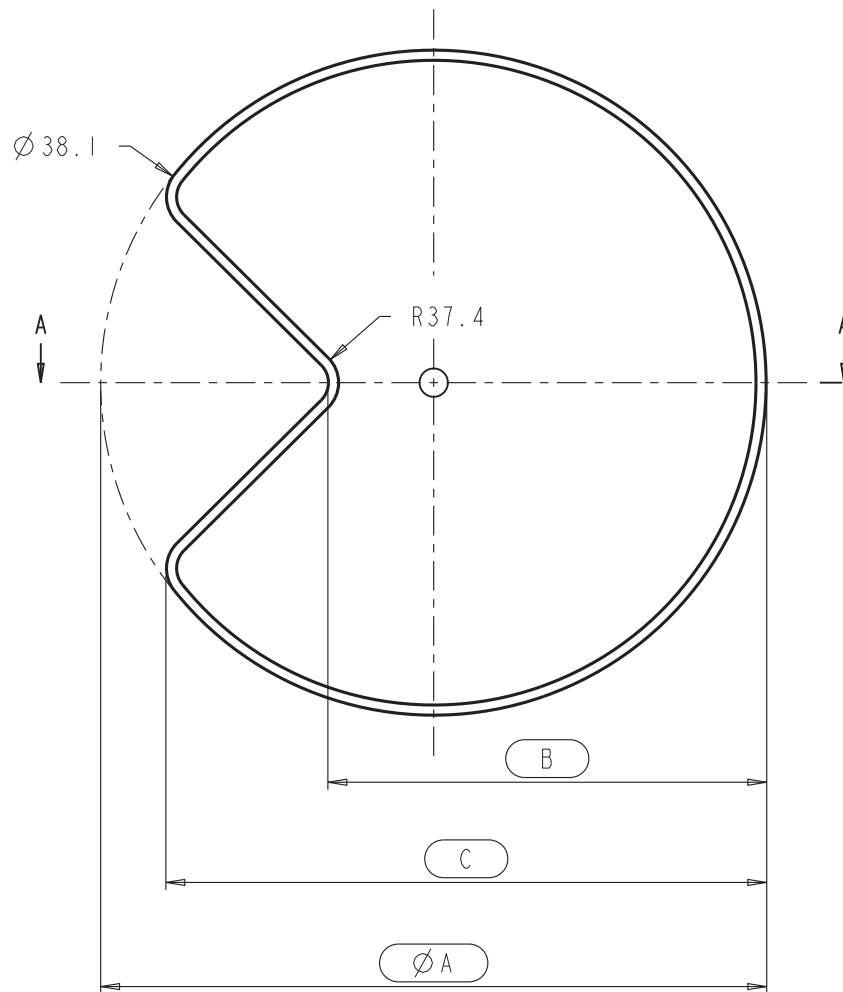
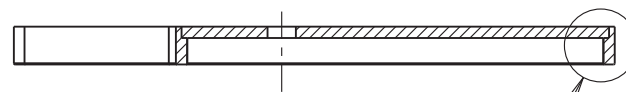
 PROPRIETARY AND CONFIDENTIAL THE INFORMATION CONTAINED IN THIS DRAWING IS THE SOLE PROPERTY OF HARDWARE RESOURCES INC. ANY REPRODUCTION IN PART OR AS A WHOLE WITHOUT THE WRITTEN PERMISSION OF HARDWARE RESOURCES INC. IS PROHIBITED.	ITEM:	BLSK-SET		MATERIAL:
	FINISH:			WEIGHT:
				9
				PROJECTION 
	TOLERANCE UNLESS OTHERWISE SPECIFIED: X ±0.20 X.X ±0.10 X.XX ±0.05 ANGULAR: ±0.5°	UNITS:	DRAWN BY: <i>Alan Liu</i>	DATE:
DO NOT SCALE DRAWING	SIZE: A4	APPROVED BY:	DATE:	REVISION:
	SHEET: 1 OF 1	RELEASE LEVEL:		



DETAIL A
SCALE 1:2



SEE DETAIL A

SECTION A-A

Spec Sheet:

Item NO.	A (mm)	B (mm)	C (mm)
BLSK24	608	374	532.5
BLSK28	705	464.5	636
BLSK32	806.5	557.2	740.5

hardware resources PROPRIETARY AND CONFIDENTIAL THE INFORMATION CONTAINED IN THIS DRAWING IS THE SOLE PROPERTY OF HARDWARE RESOURCES INC. ANY REPRODUCTION IN PART OR AS A WHOLE WITHOUT THE WRITTEN PERMISSION OF HARDWARE RESOURCES INC. IS PROHIBITED.	ITEM: BLSK		MATERIAL:	
	FINISH:		WEIGHT:	
	TOLERANCE UNLESS OTHERWISE SPECIFIED: X ±0.20 X.X ±0.10 X.XX ±0.05 ANGULAR: ±0.5°		UNITS: MM	DRAWN BY: <i>Alan Liu</i>
DO NOT SCALE DRAWING		SIZE: A4	APPROVED BY:	DATE:
		SHEET: 1 OF 1	RELEASE LEVEL:	REVISION: