

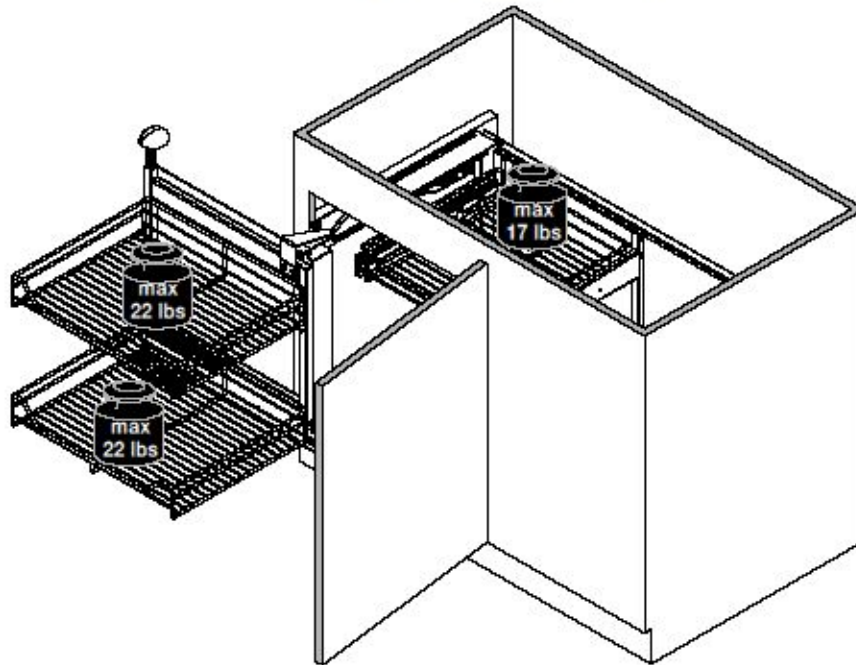
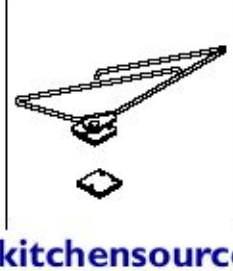
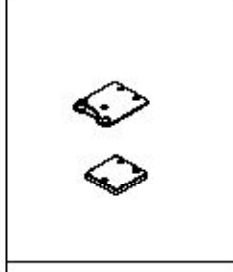
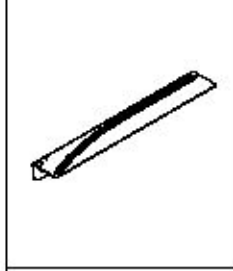
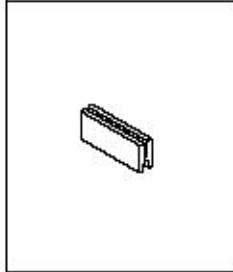
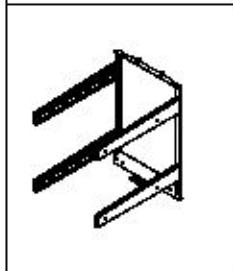
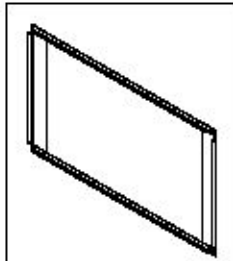
Art.-Nr. li 300.0592.xx
re 300.0593.xx

Magic Corner II

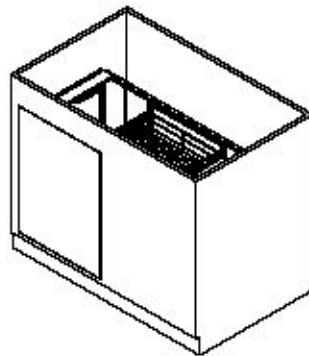
Montageanleitung
Assembly instruction

Vollauszug
Full-extension pull-out

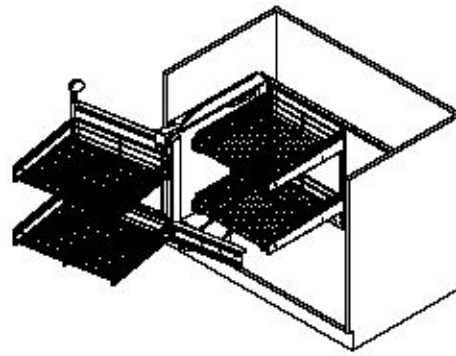
Frame overlay



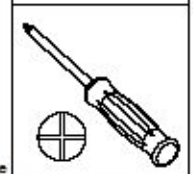
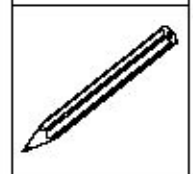
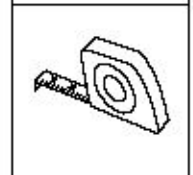
Frame inset



Frameless



This mounting instruction is for a left swivel pull out, Art.-No. 300.0592.xx.
The right swivel pull out instruction is mirror-inverted, Art.-No. 300.0593.xx.



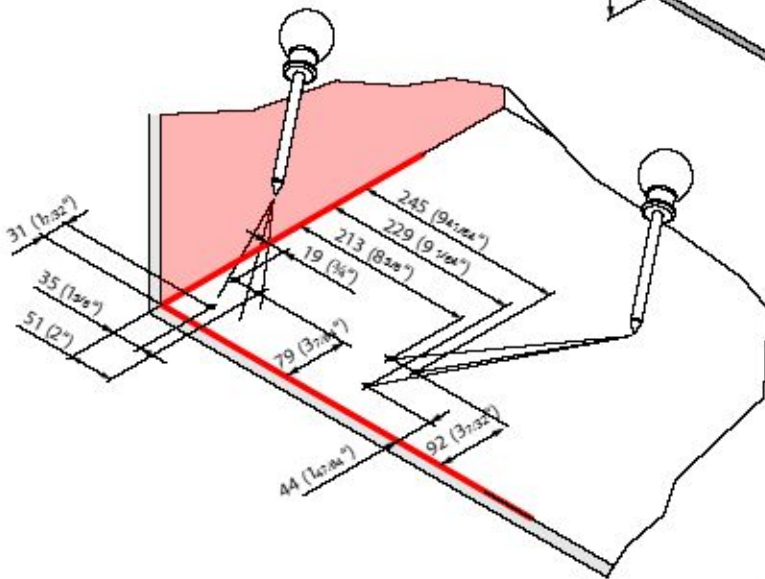
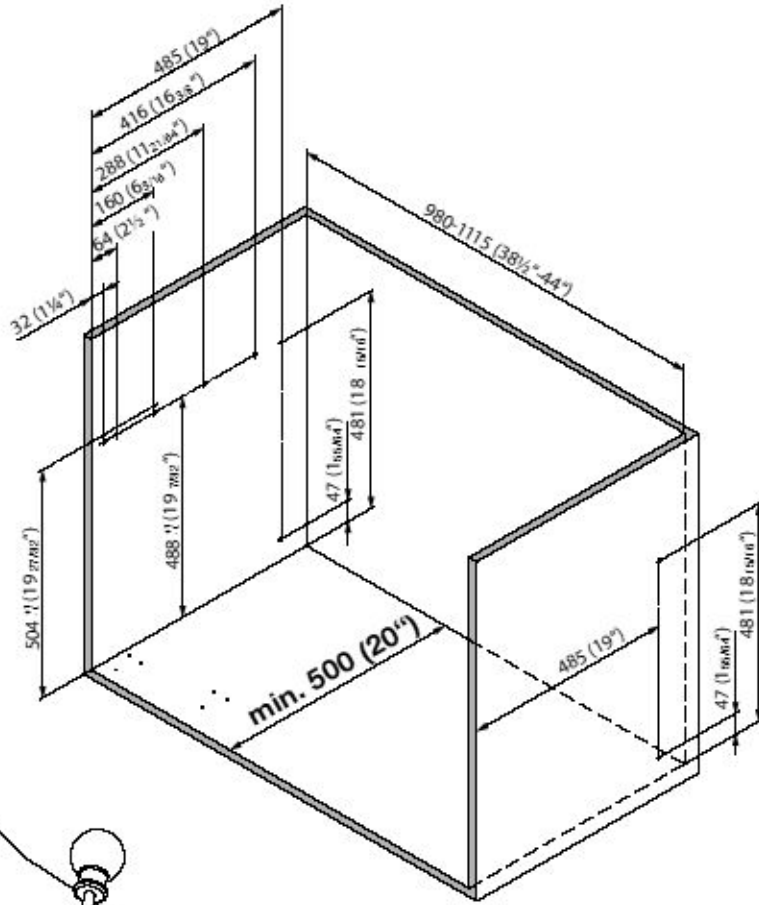
Dimensions in mm
Inches are approximate

950.0359.MA	Rev. c
10.12.2008 hrm	24.11.2010 hrm
1/8	

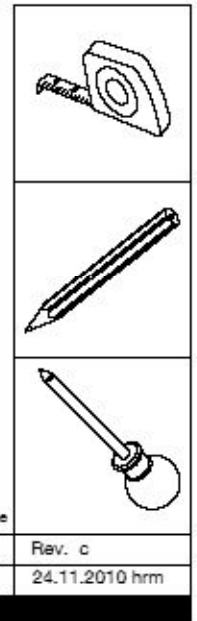
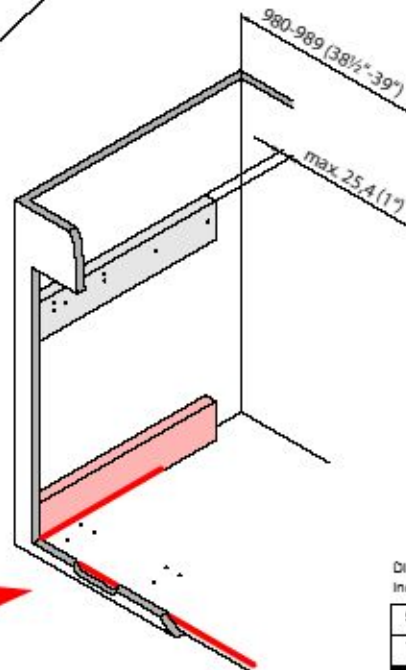


Before starting the installation make sure that the cabinet is level and secured to the wall

Frameless



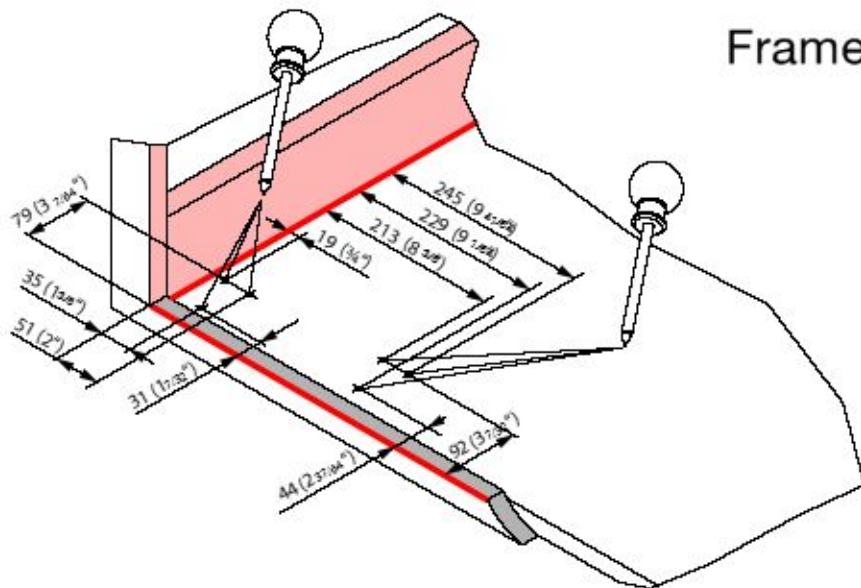
Frame inset
(red line is behind
face frame)



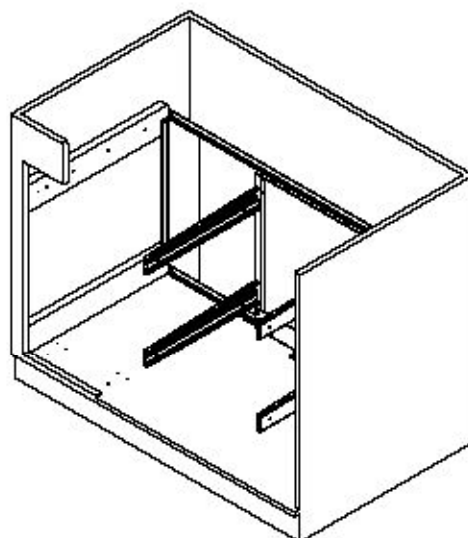
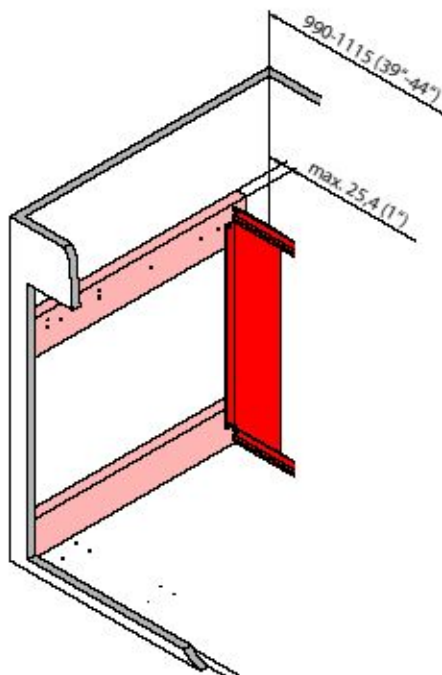
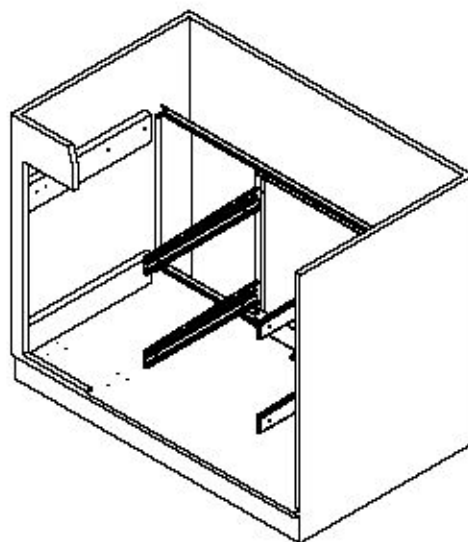
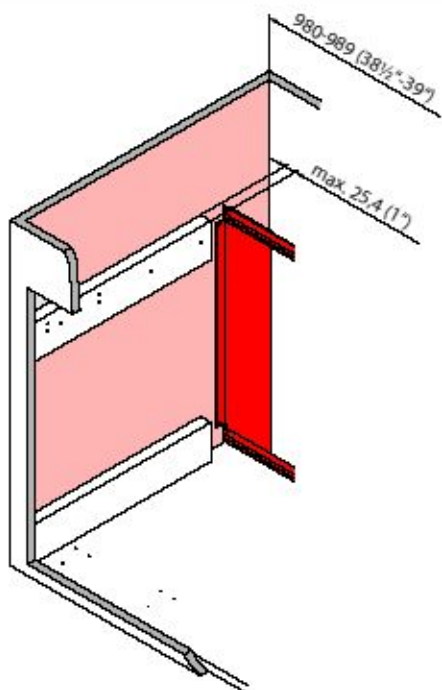
Dimensions in mm
Inches are approximate

950.0359.MA	Rev. c
10.12.2008 hrm	24.11.2010 hrm
2/8	

Frame overlay



Spacer for frame inset Spacer for frame overlay



Dimensions in mm
Inches are approximate

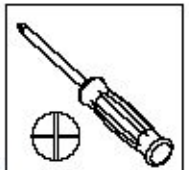
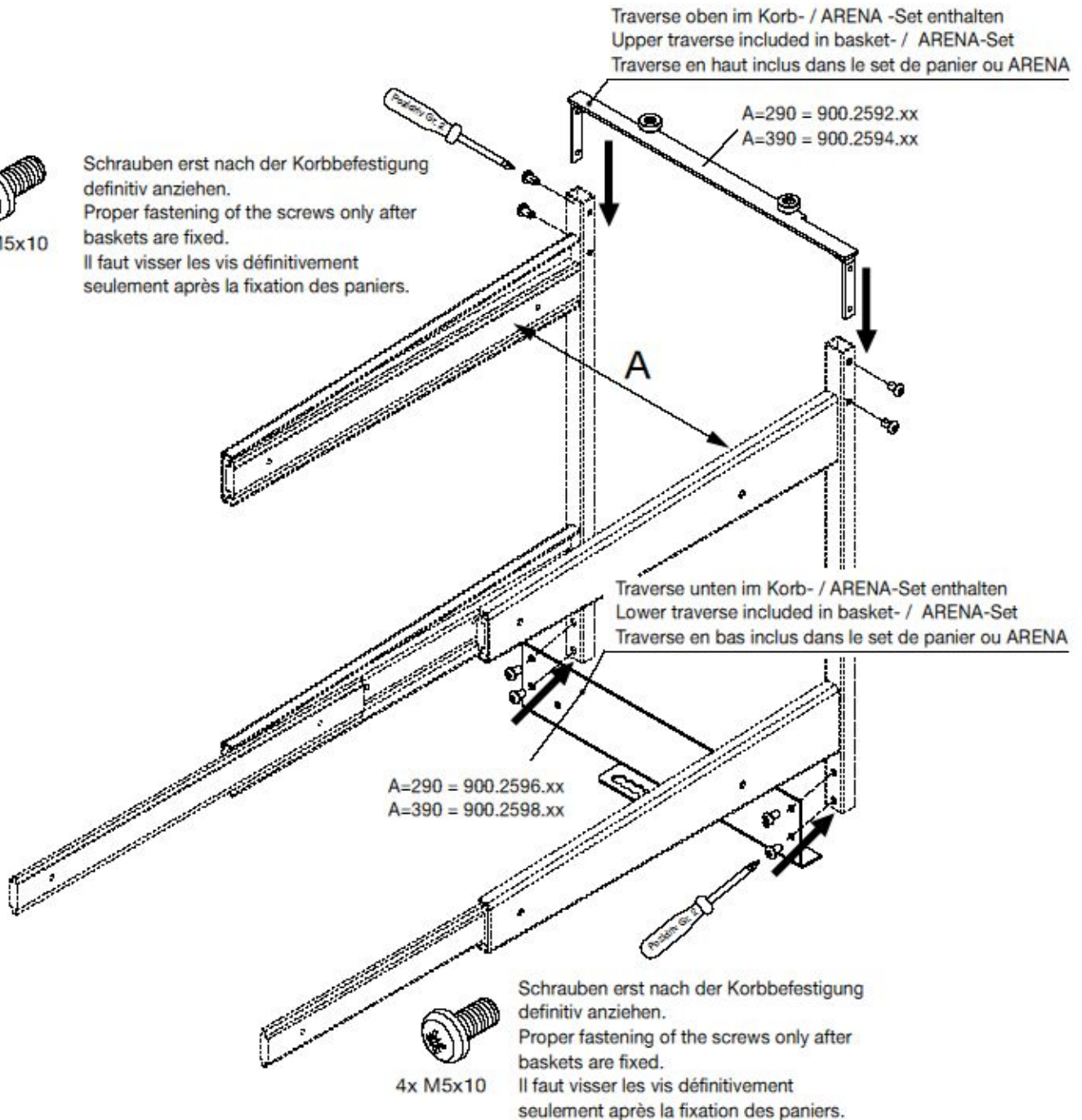
950.0359.MA	Rev. c
10.12.2008 hrm	24.11.2010 hrm
3/6	

2 Mounting of rack for rearpanel frame



4x M5x10

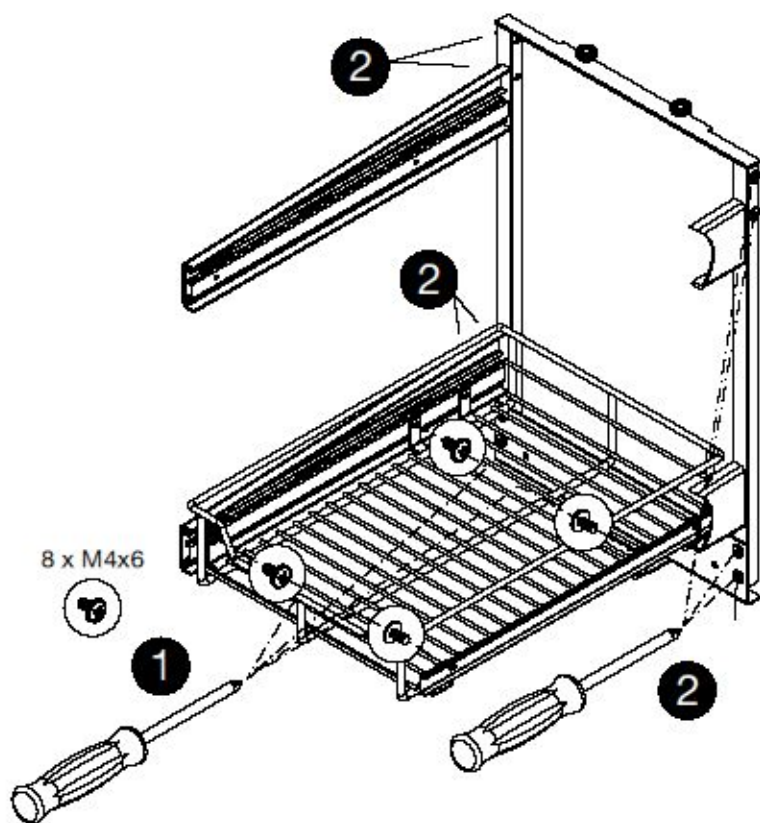
Schrauben erst nach der Korbbefestigung definitiv anziehen.
Proper fastening of the screws only after baskets are fixed.
Il faut visser les vis définitivement seulement après la fixation des paniers.



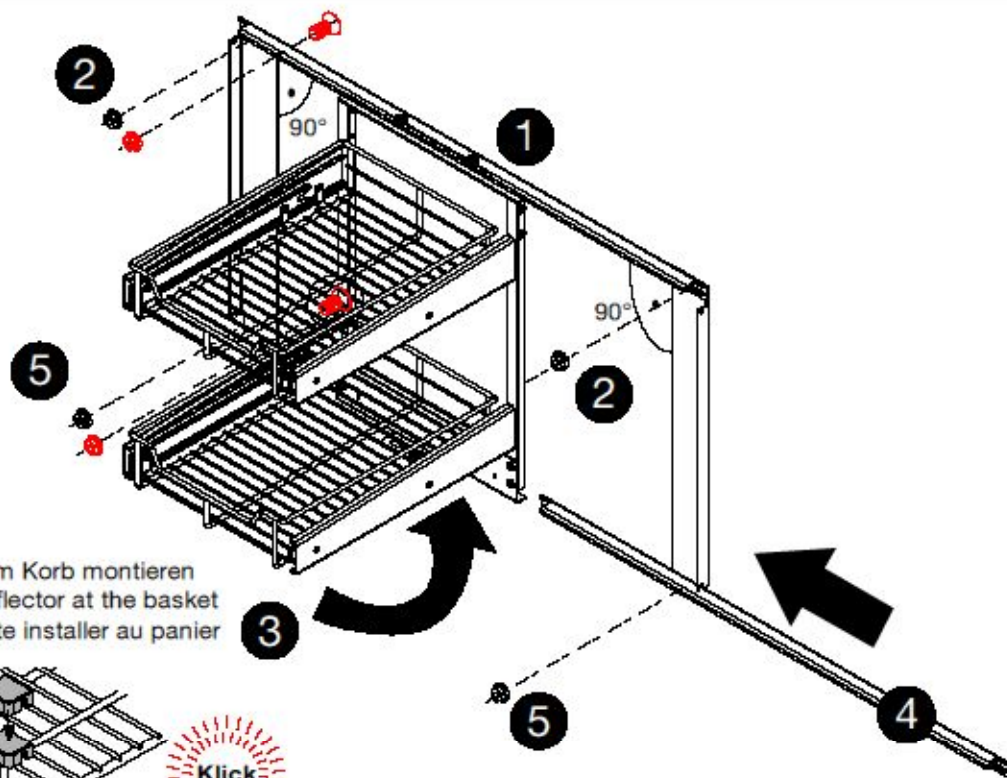
Dimensions in mm
Inches are approximate

950.0359.MA	Rev. c
10.12.2008 hrm	24.11.2010 hrm
4/8	

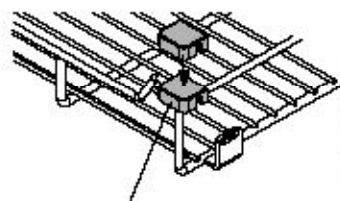
3 Mounting of basket



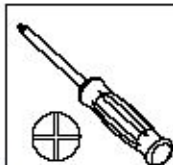
2 Schrauben definitiv anziehen.
Definite fastening of the screws.
Visser les vis définitivement.



Türabweiser am Korb montieren
Install door deflector at the basket
Butoirs de porte installer au panier



Türabweiser im Korb- / ARENA-Set enthalten.
Door deflector clip included in basket- / ARENA-Set.
Butoirs de porte inclus dans le set de panier ou ARENA.

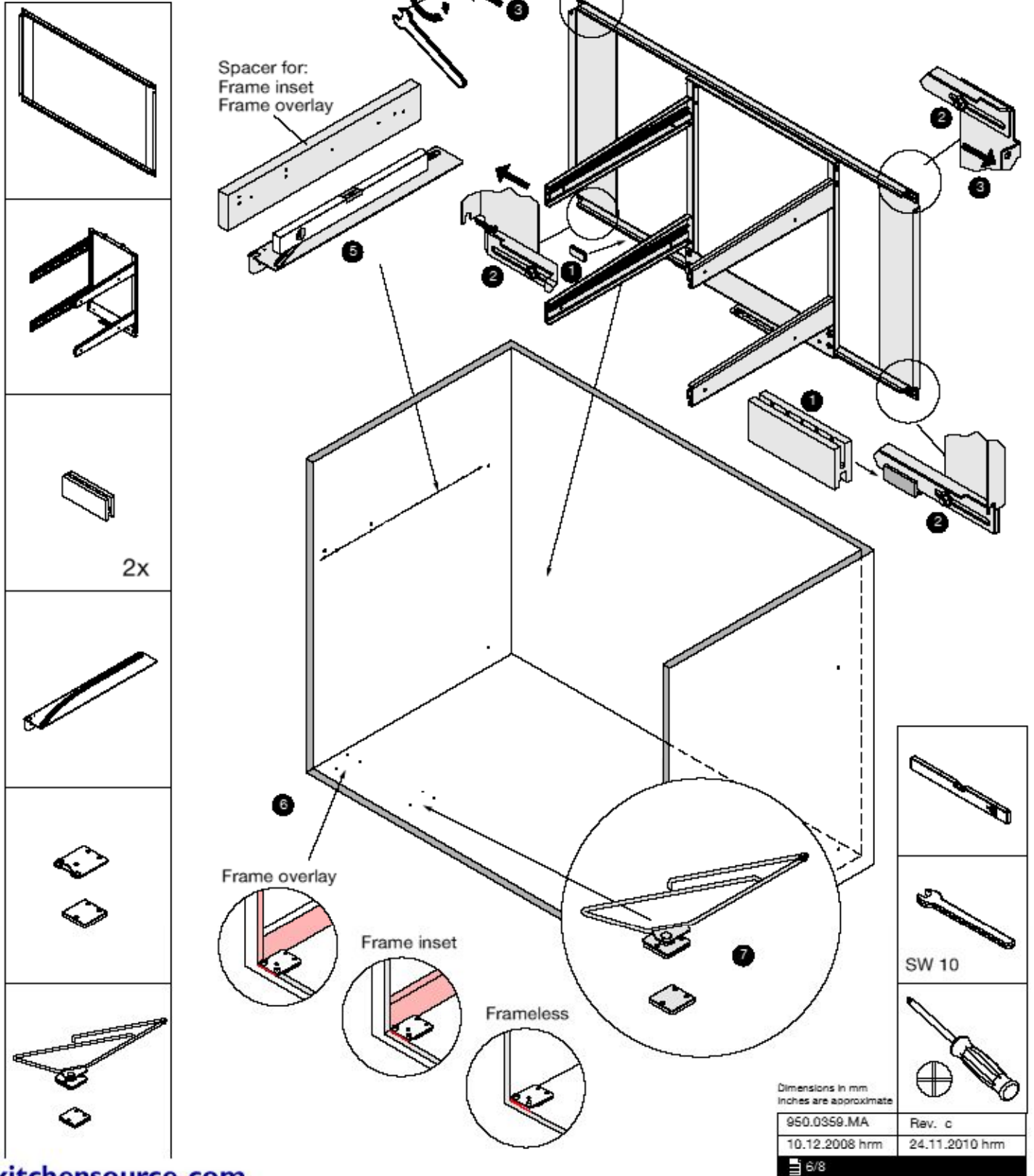


Dimensions in mm
Inches are approximate

950.0359.MA	Rev. c
10.12.2008 hrm	24.11.2010 hrm
5/8	

4 Mounting of rearpanel frame, guide plate, endstop bracket, follower

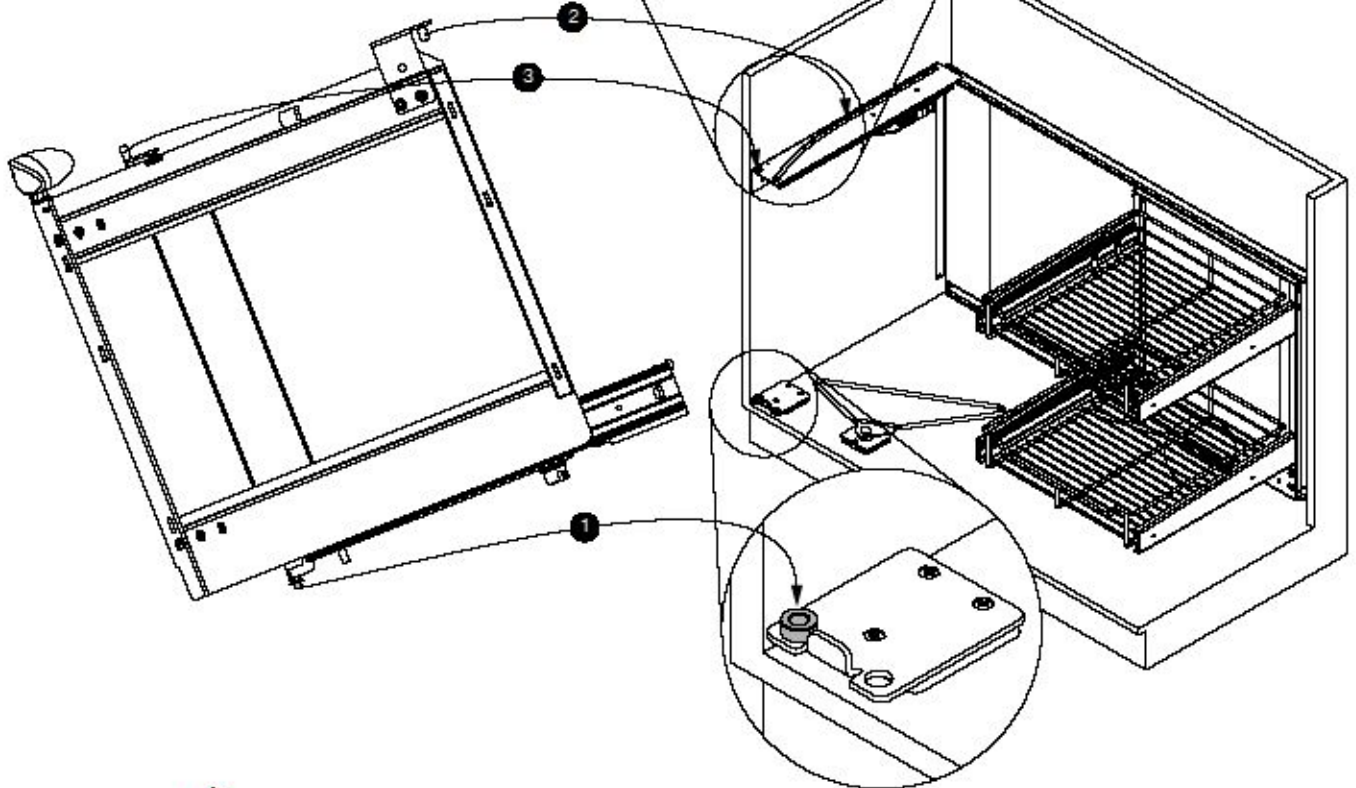
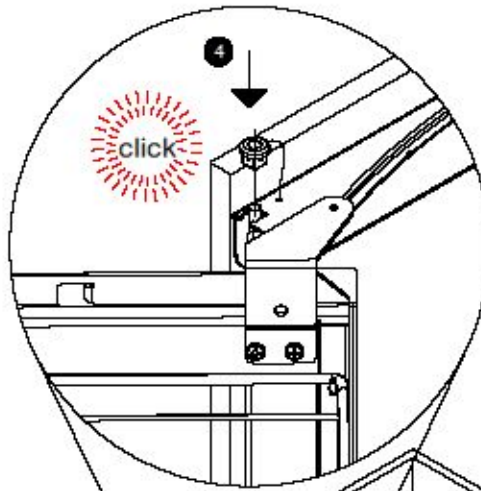
- Step 1: Loosen hex-nuts of rearpanel frame
- Step 2: Screw on rearpanel frame to cabinet sides
- Step 3: Tighten hex-nuts of rearpanel frame



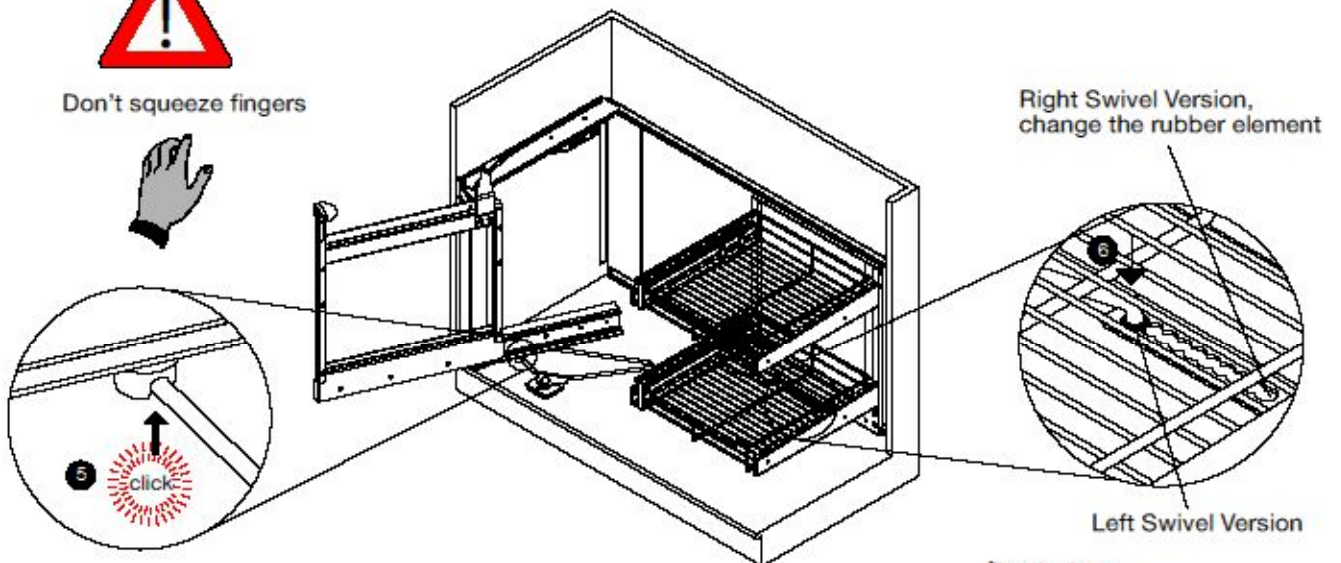
5 Install pull-out frame



Don't squeeze fingers



Don't squeeze fingers



Dimensions in mm
Inches are approximate

950.0359.MA	Rev. c
10.12.2008 hrm	24.11.2010 hrm
7/8	

6 Place shelves

