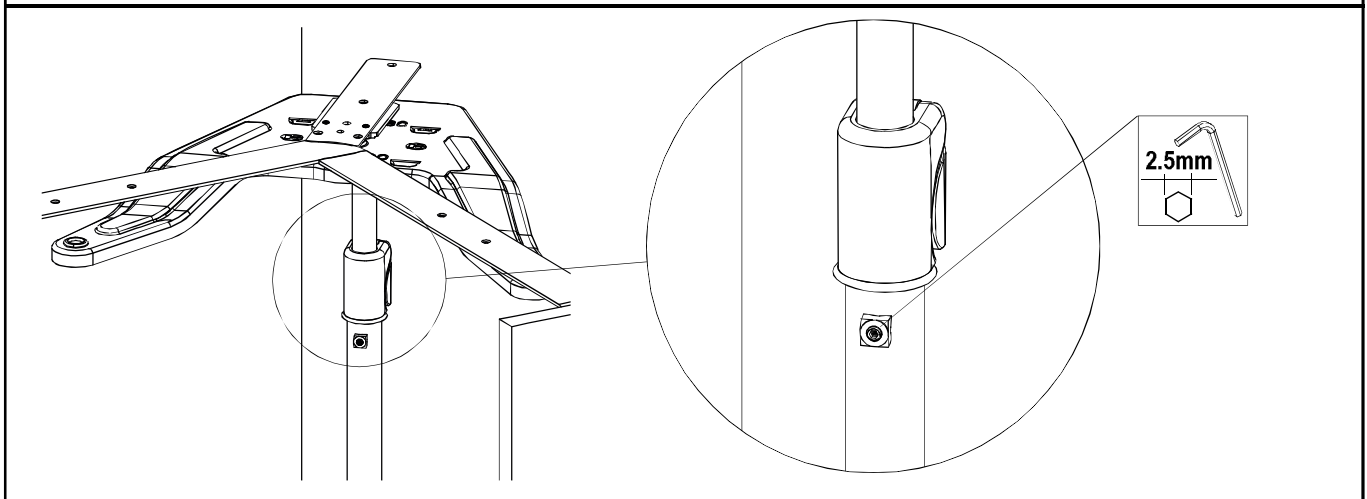
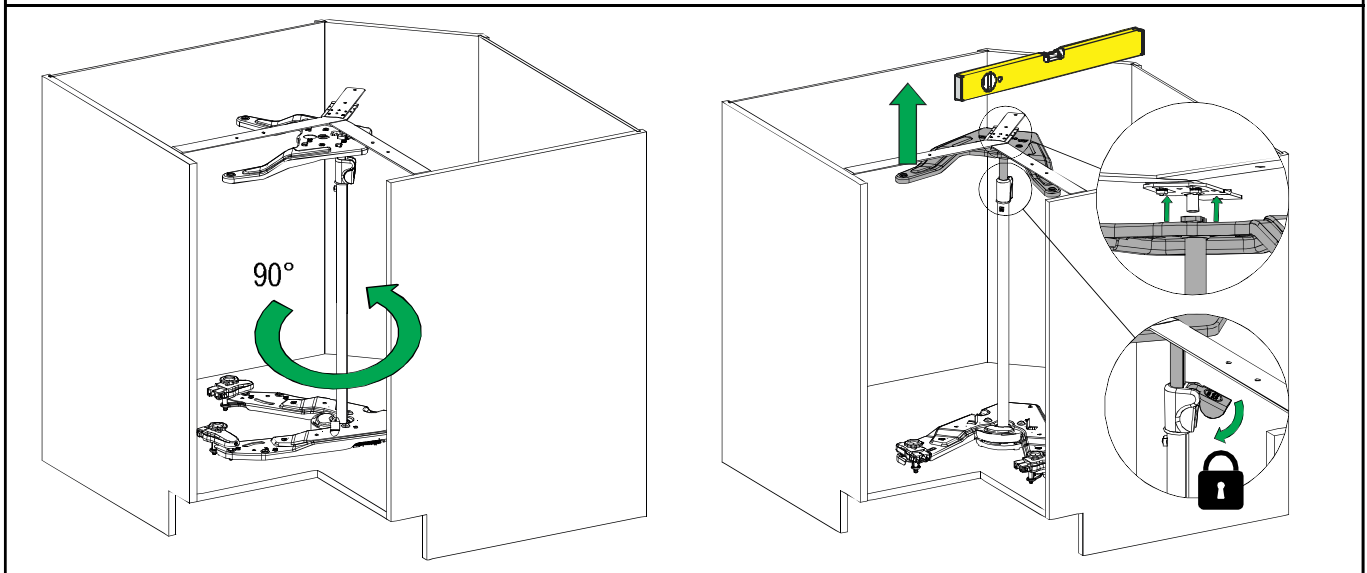
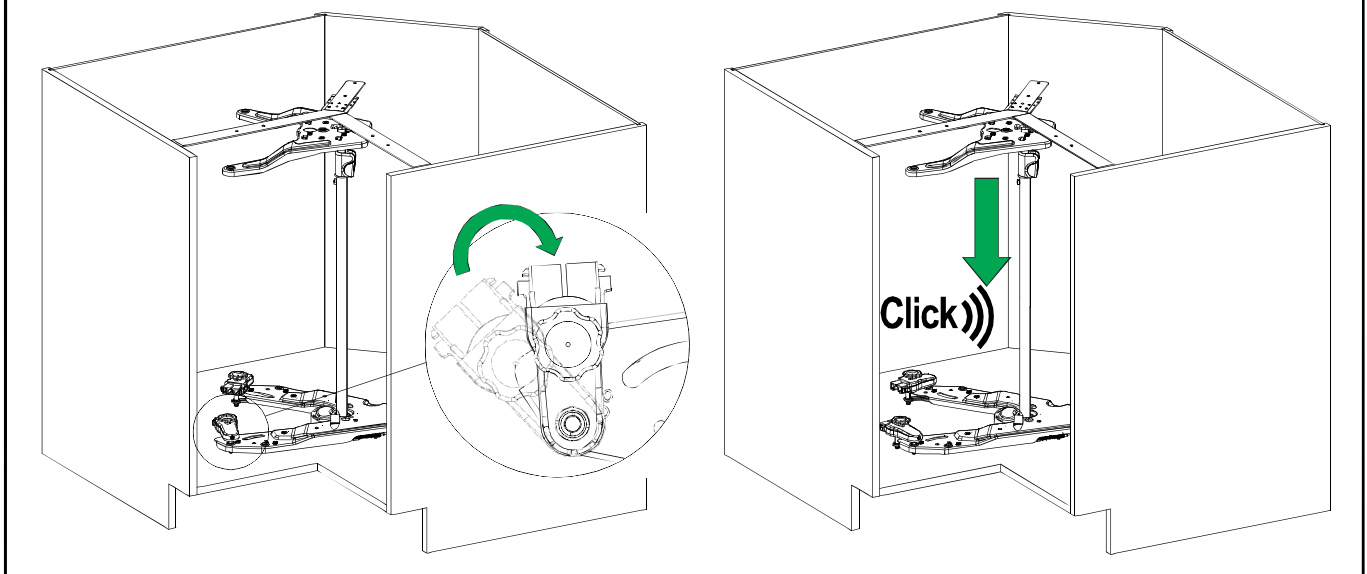




# REVO

## 5.2 Install the REVO fitting inside the cabinet



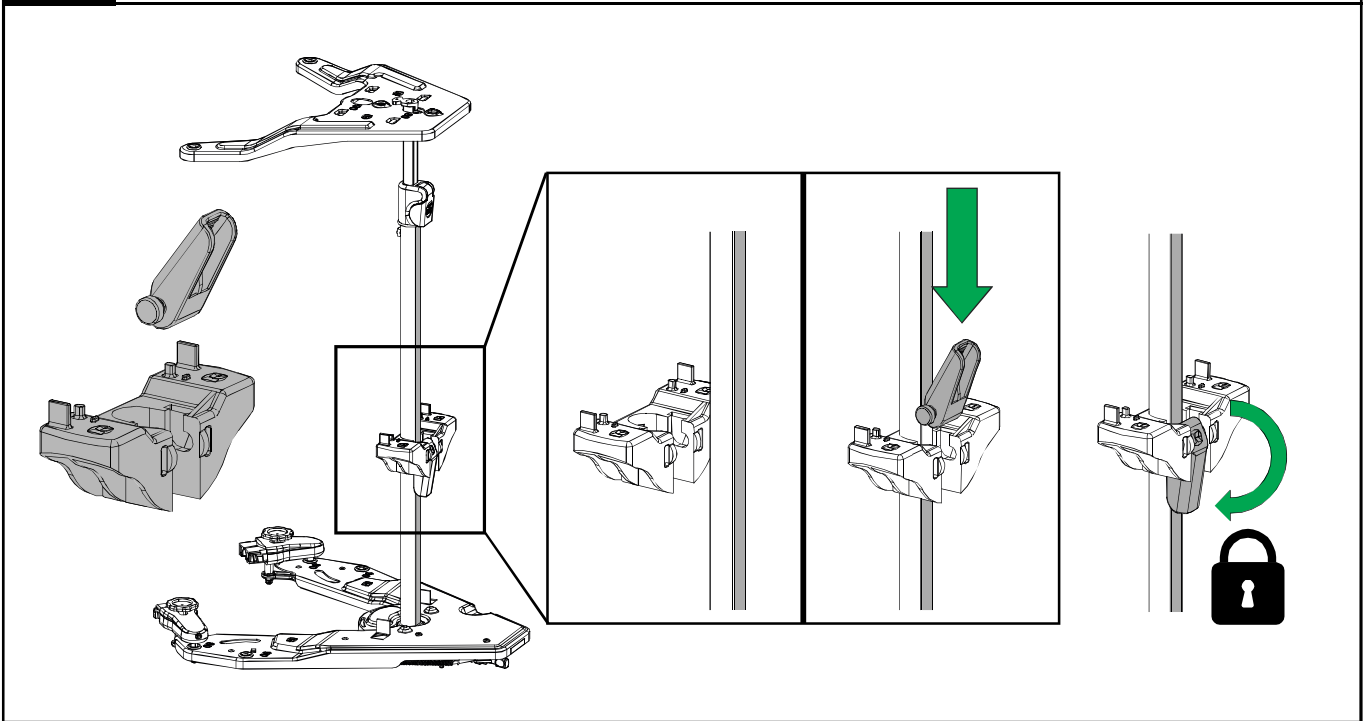


KESSEBÖHMER

# REVO

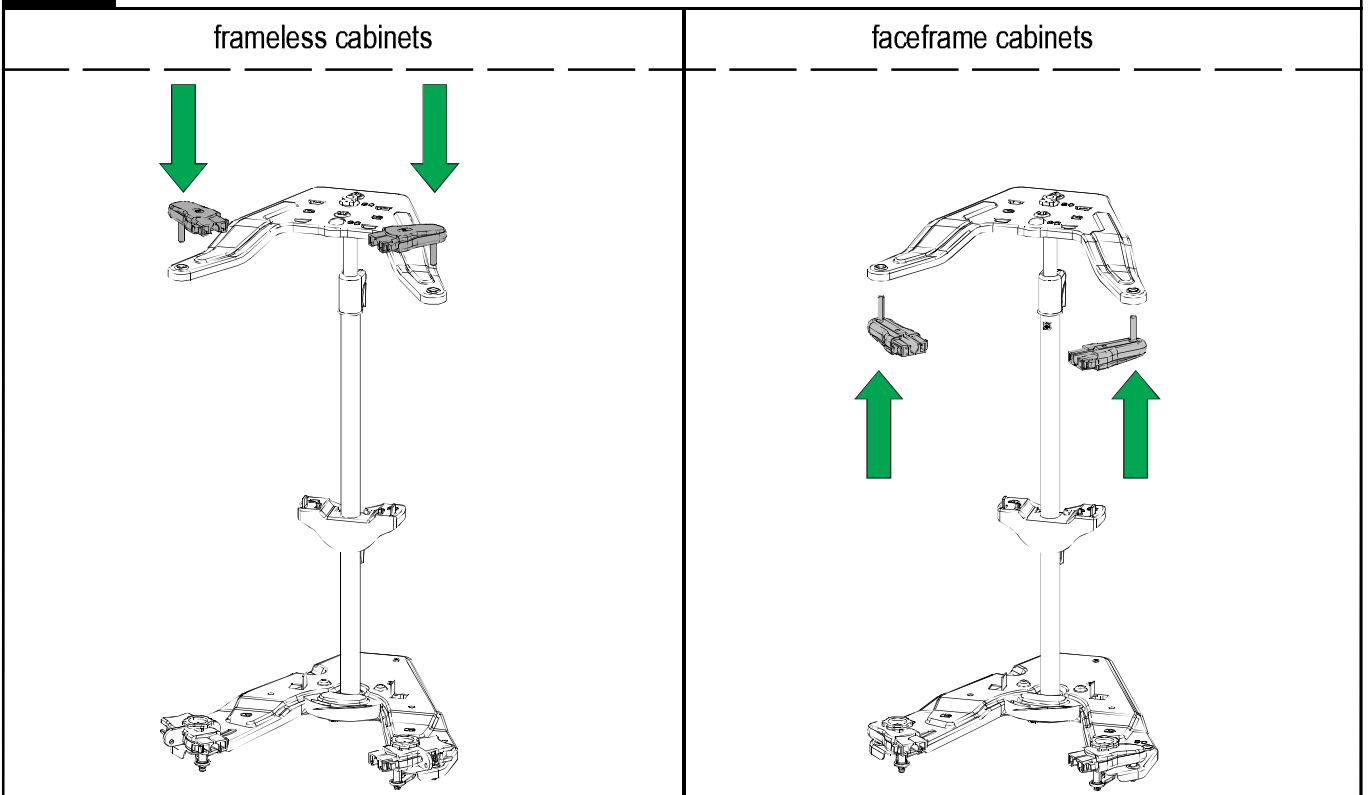
6

Mount the shelf support bracket



7

Top door-connectors

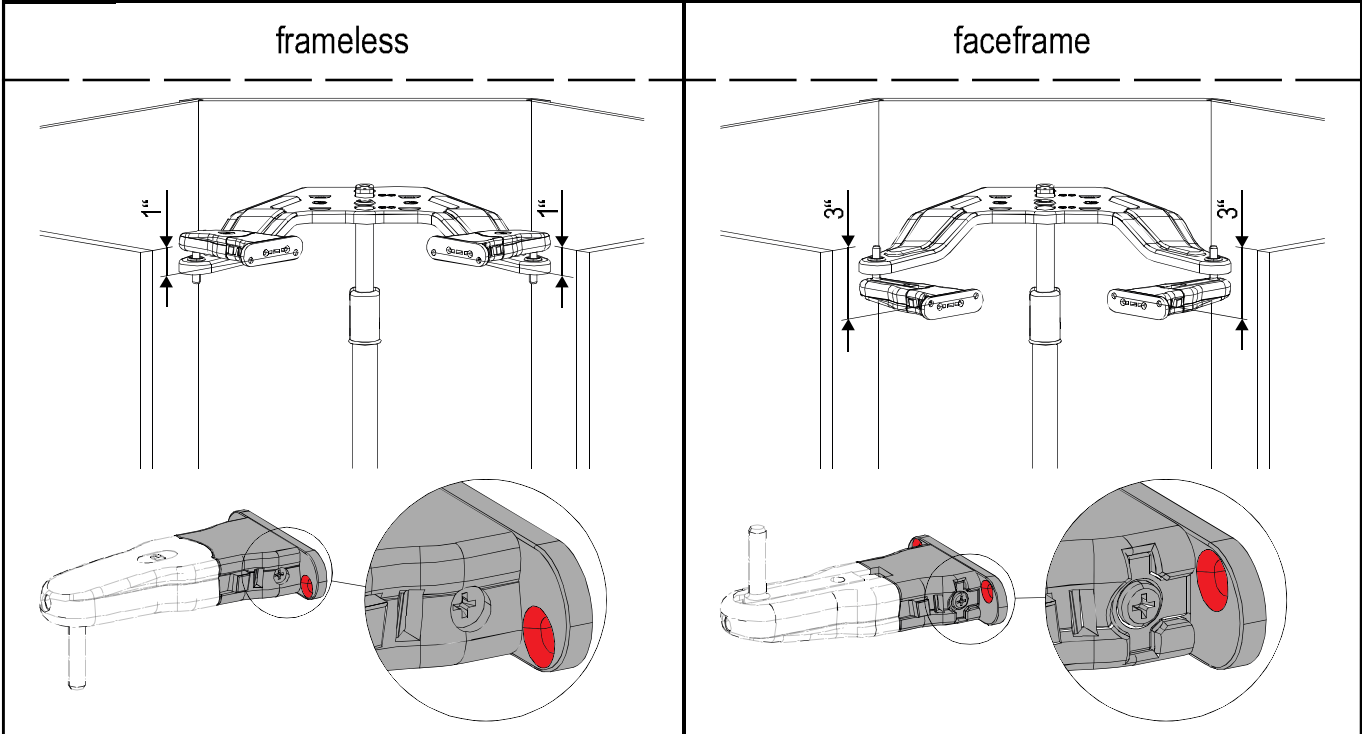




**KESSEBÖHMER**

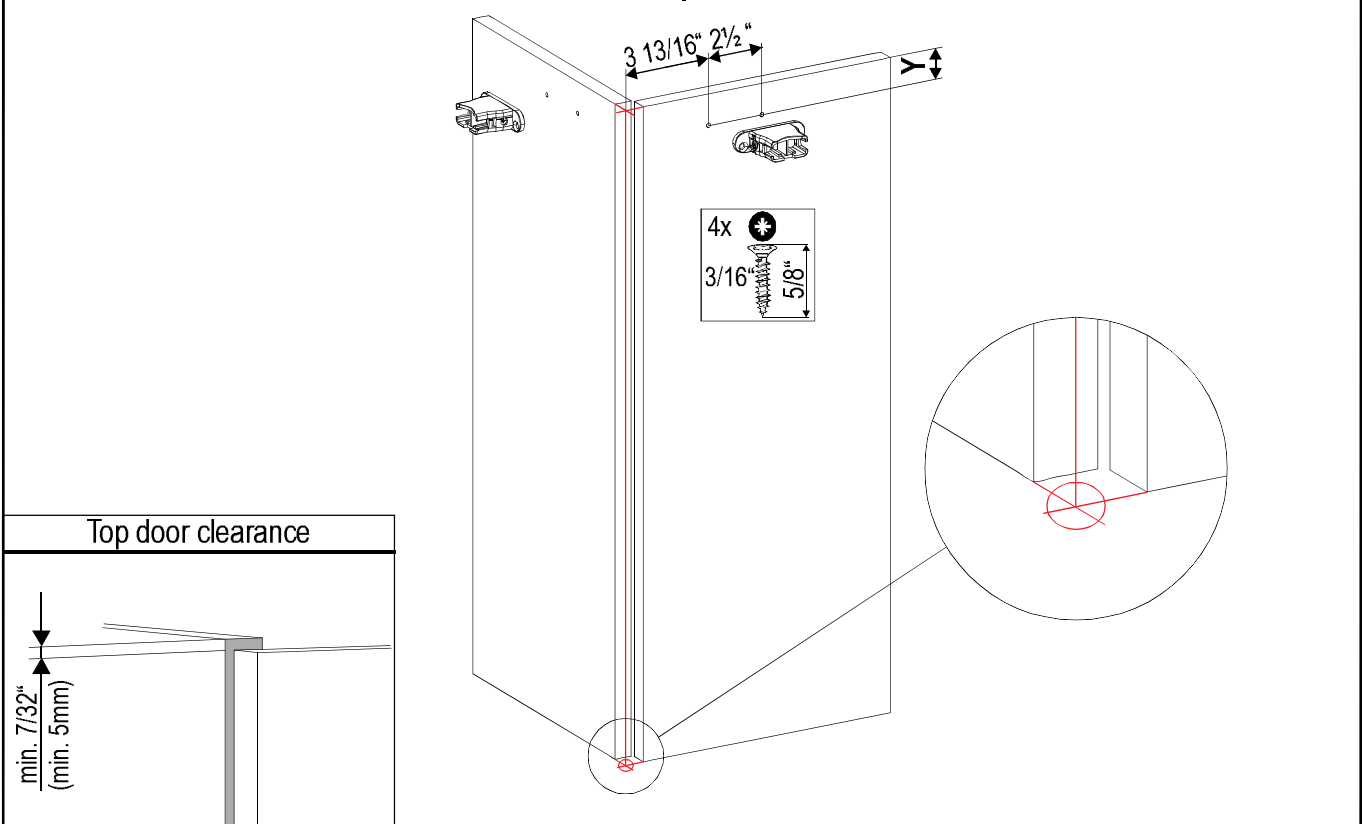
# REVO

## 8.1 Door bracket positions



Y = 1"-Top door clearance

Y = 3"-Top door clearance

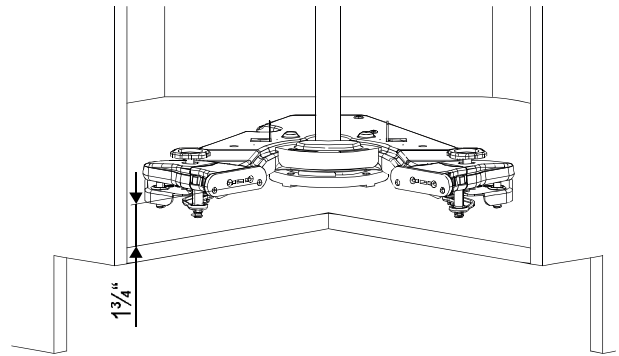
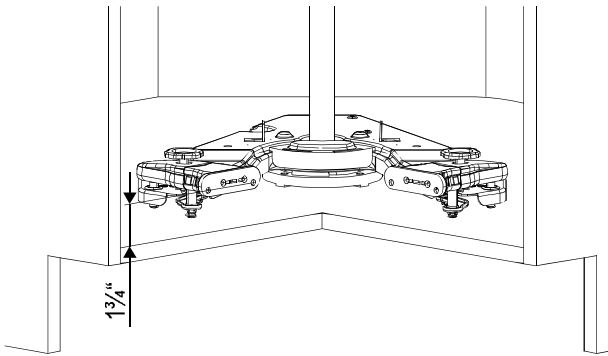


# REVO

## 8.2 Door bracket positions

frameless

faceframe



**X** = 1 3/4" - Bottom door clearance

**X** = 1 3/4" - Bottom door clearance

