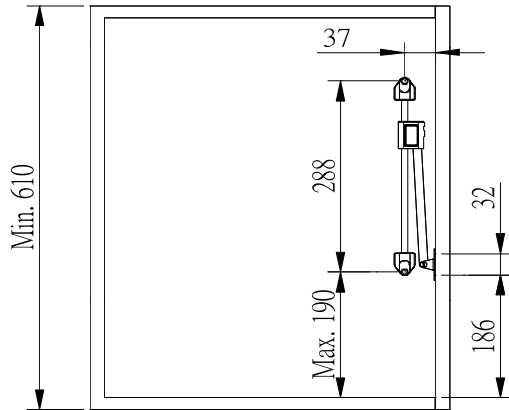


INSTALLATION INSTRUCTIONS

For Flap Stay to apply in Hamper

Step 1:



Step 2:

