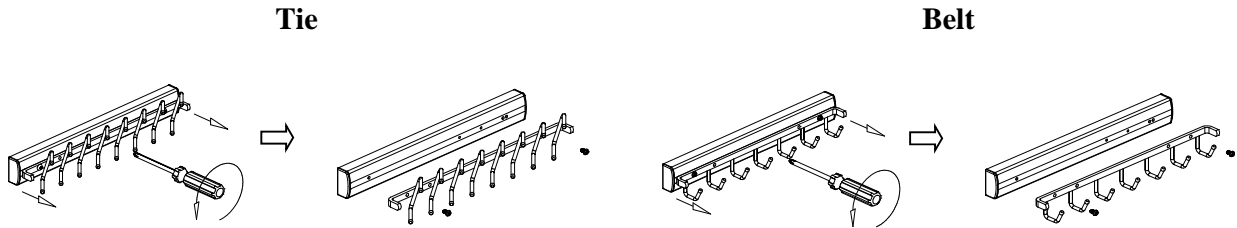
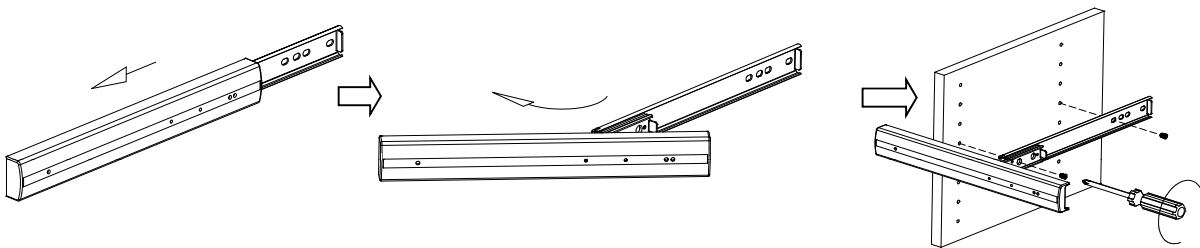


INSTALLATION INSTRUCTIONS FOR PREMIER TIE RACK / BELT RACK

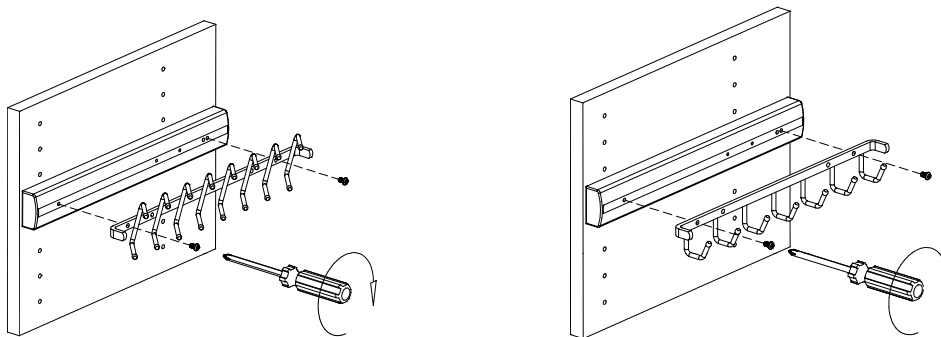
Step 1: Remove attachment before mounting to partition.



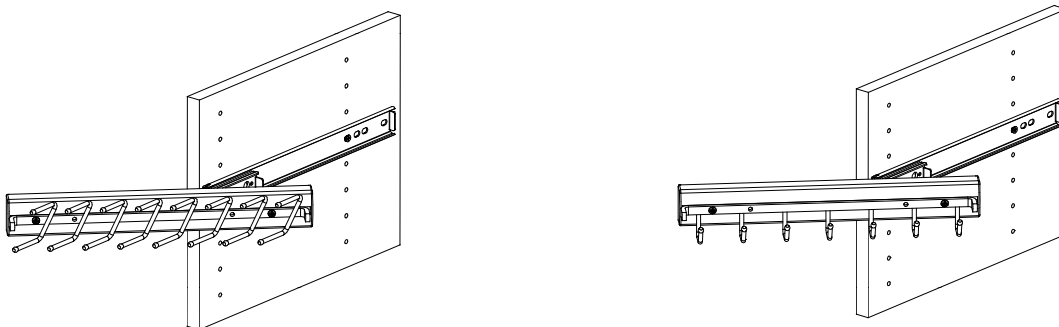
Step 2: Mount slide base using 2 euro-screws provided.



Step 3: Reattach the tie rack, belt rack and scarf rack.



Installation complete



Note: Left side mount shown, Reverse for right side mount.