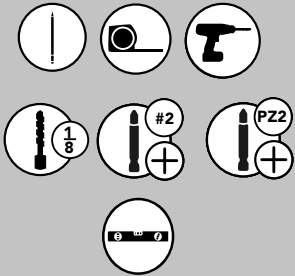


REV-A-SHELF®

INSTALLATION INSTRUCTIONS

BLACK SLIDE-OUT HAMPER

TOOLS REQUIRED:



ESTIMATED ASSEMBLY TIME:

25 MIN

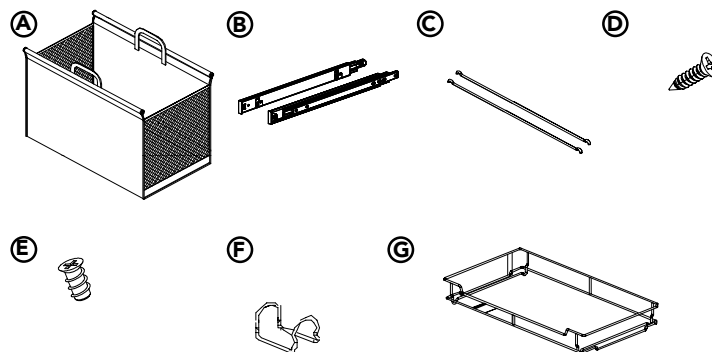
CARE AND MAINTENANCE:

Clean with a damp cloth and wipe parts dry.



PARTS LIST

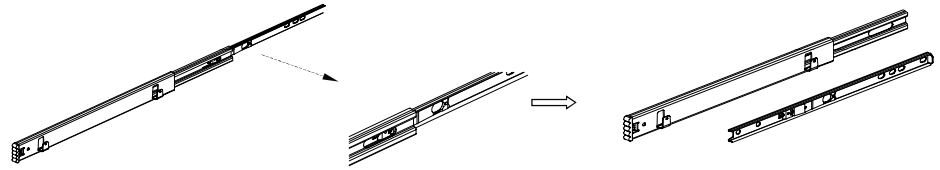
No.	Description	Qty.
A	Black Hamper Bag	1
B	Slide Set	1
C	Bag Support Bars	1
D	#8 X 5/8" Black Wood Screws	2
E	M5 X 6MM Black Euro Screws	4
F	Holder Clips	4
G	Hamper Frame	1



STEP 1

Disengage the slides by pushing the black release lever that is located on the inner member slide. Pull the inner member slide as the black push lever is released (See Figure 1).

FIG. 1



STEP 2

Install the inner member slides to the sides of the panels in the desired location using the (4) M6 x 6 mm screws, if installing using 32 mm system holes or use the (4) #8-32 x 1/2" screws for other applications (See Figure 2).

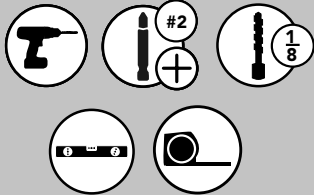
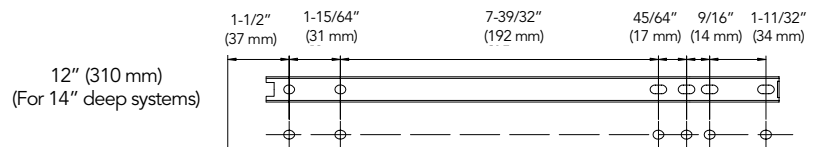
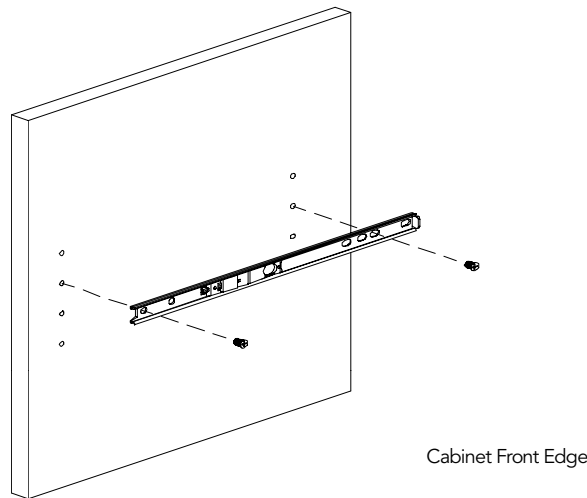


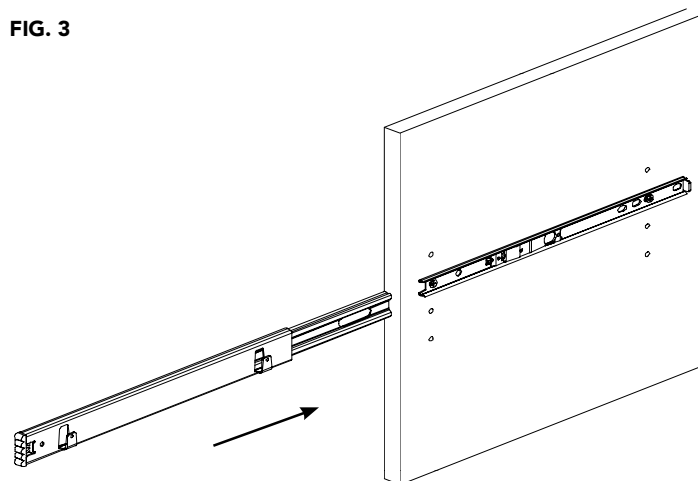
FIG. 2



STEP 3

Slide the outer slide member onto the inner slide member. You will hear a click when the slides are re-engaged (See Figure 3).

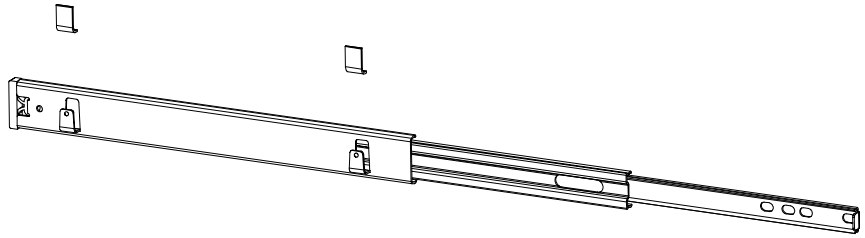
FIG. 3



STEP 4

Slide the slide bumpers over the (2) basket mounting hooks on each slide (See Figure 4).

FIG. 4

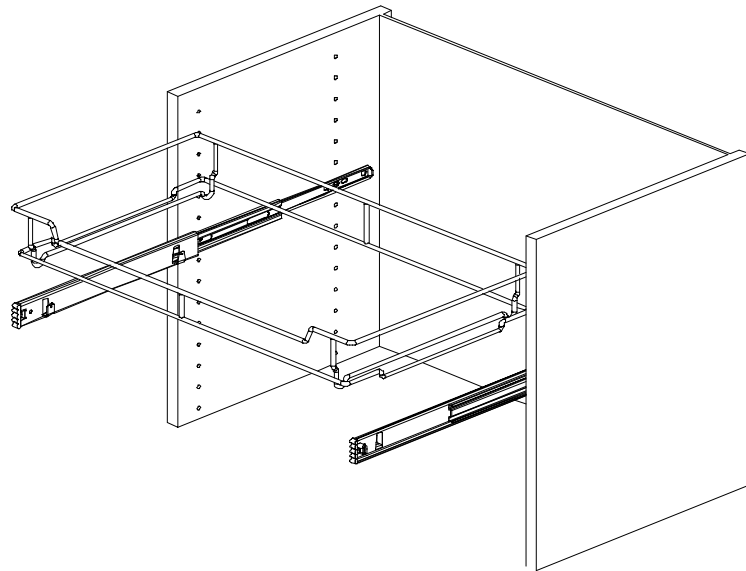


STEP 5

Place the hamper bag frame onto the slides (See Figure 5).

Note: Mount the frame on the second wire. Front to back placement is based on your personal preference.

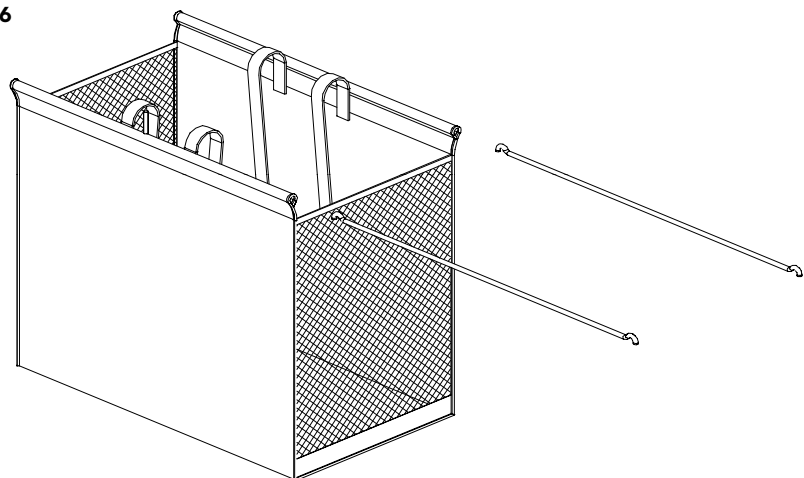
FIG. 5



STEP 6

Slide the bag support bars through the hamper (See Figure 6).

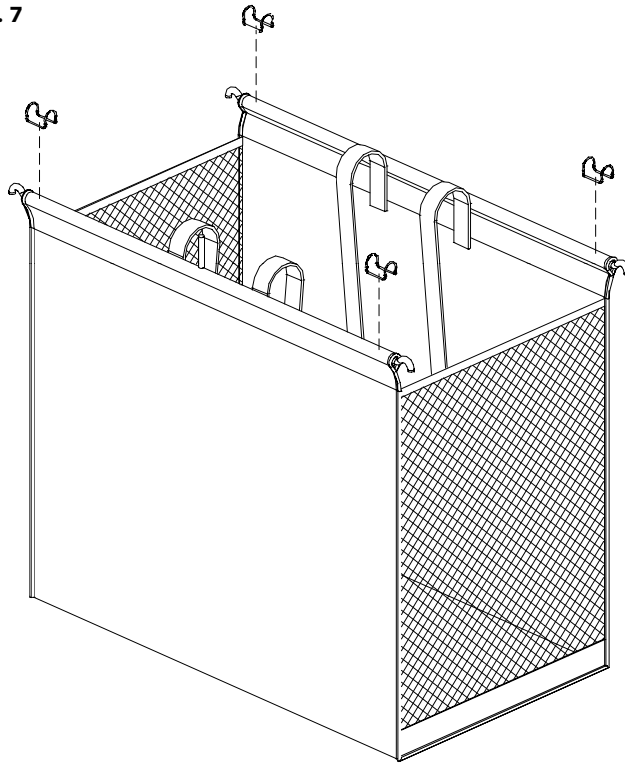
FIG. 6



STEP 7

Place all holder clips over the bag support bars (See Figure 7).

FIG. 7



STEP 8

Place the hamper bag assembly onto the hamper bag frame.

Note: Mount the hamper bag assembly on the second wire (See Figure 8).

FIG. 8

