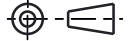


FINISH GOODS TABLE		
HR ITEM NUMBER	PRODUCT DESCRIPTION	FINISH
PPR-1814-PC	ASSY, SLIDING PANTS RACK, 9 PANTS, PC	POLISH CHROME
PPR-1814-SN	ASSY, SLIDING PANTS RACK, 9 PANTS, SN	SATIN NICKEL
PPR-1814-ORB	ASSY, SLIDING PANTS RACK, 9 PANTS, DORB	DARK OIL RUB BRONZE
PPR-2414-PC	ASSY, SLIDING PANTS RACK, 13 PANTS, PC	POLISH CHROME
PPR-2414-SN	ASSY, SLIDING PANTS RACK, 13 PANTS, SN	SATIN NICKEL
PPR-2414-ORB	ASSY, SLIDING PANTS RACK, 13 PANTS, DORB	DARK OIL RUB BRONZE
PPR-3014-PC	ASSY, SLIDING PANTS RACK, 16 PANTS, PC	POLISH CHROME
PPR-3014-SN	ASSY, SLIDING PANTS RACK, 16 PANTS, SN	SATIN NICKEL
PPR-3014-ORB	ASSY, SLIDING PANTS RACK, 16 PANTS, DORB	DARK OIL RUB BRONZE

THIRD ANGLE PROJECTION



**hardware**  
**resources**

MATERIAL

FINISH

N/A

SEE TABLE

DESCRIPTION

SLIDING CLOSET PANTS RACK

DOCUMENT STATUS Released

DRAWN BY

DATE

J. CORLESS

07OCT17

DESIGNED BY

DATE

J. CORLESS

22JUL16

APPROVED BY

DATE

G.DAVIS

12OCT17

DRAWING NUMBER

REV

PPR

**A**

SIZE

SCALE

SHEET

A3

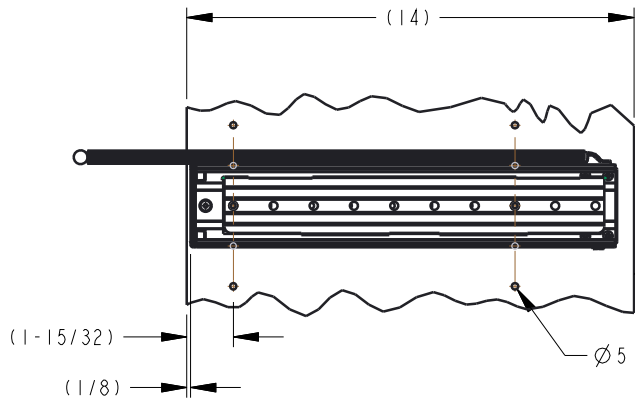
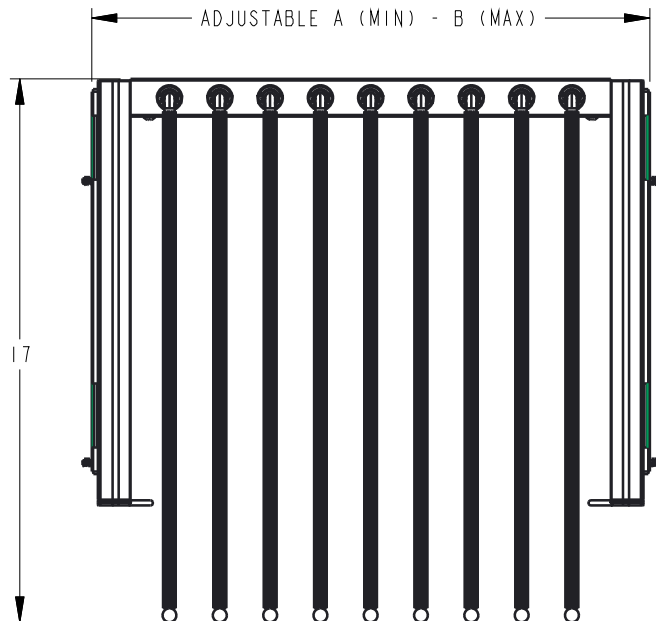
1:5

1 / 2

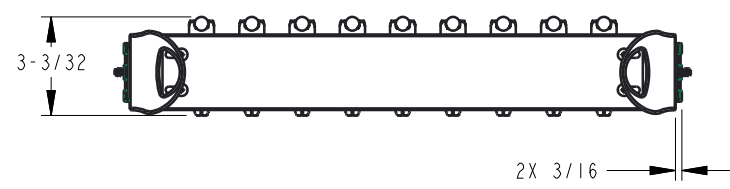
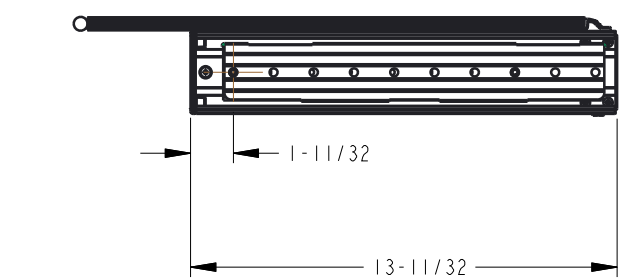
HARDWARE RESOURCES RESERVES THE RIGHT TO CHANGE SPECIFICATIONS WITHOUT NOTICE.  
IN CASE OF A DISCREPANCY, ACTUAL PART GEOMETRY SUPERSEDES THIS DOCUMENT.

THE INFORMATION CONTAINED WITHIN THIS DRAWING IS THE SOLE PROPERTY OF HARDWARE RESOURCES INC. ANY REPRODUCTION IN PART OR WHOLE WITHOUT WRITTEN PERMISSION OF HARDWARE RESOURCES INC. IS PROHIBITED.

VARIANT TABLE			
HR ITEM NUMBER	DESCRIPTION	A	B
PPR-1814-PC	ASSY, SLIDING PANTS RACK, 9 PANTS, PC	17-13/32	18-5/32
PPR-1814-SN	ASSY, SLIDING PANTS RACK, 9 PANTS, SN	17-13/32	18-5/32
PPR-1814-ORB	ASSY, SLIDING PANTS RACK, 9 PANTS, DORB	17-13/32	18-5/32
PPR-2414-PC	ASSY, SLIDING PANTS RACK, 13 PANTS, PC	23-3/4	24-1/2
PPR-2414-SN	ASSY, SLIDING PANTS RACK, 13 PANTS, SN	23-3/4	24-1/2
PPR-2414-ORB	ASSY, SLIDING PANTS RACK, 13 PANTS, DORB	23-3/4	24-1/2
PPR-3014-PC	ASSY, SLIDING PANTS RACK, 16 PANTS, PC	29-3/4	30-1/2
PPR-3014-SN	ASSY, SLIDING PANTS RACK, 16 PANTS, SN	29-3/4	30-1/2
PPR-3014-ORB	ASSY, SLIDING PANTS RACK, 16 PANTS, DORB	29-3/4	30-1/2



TYPICAL INSTALLATION IN 14 INCH CLOSET PANEL WITH PREDRILLED 32mm SYSTEM HOLES



DRAWING NUMBER		REV
PPR		<b>A</b>
SIZE	SCALE	SHEET
A3	1:4	2 / 2
DOCUMENT STATUS		Released