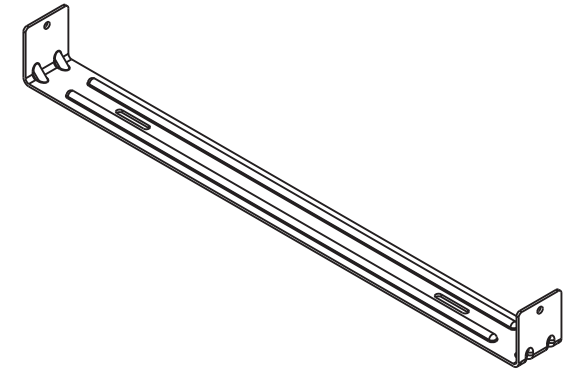
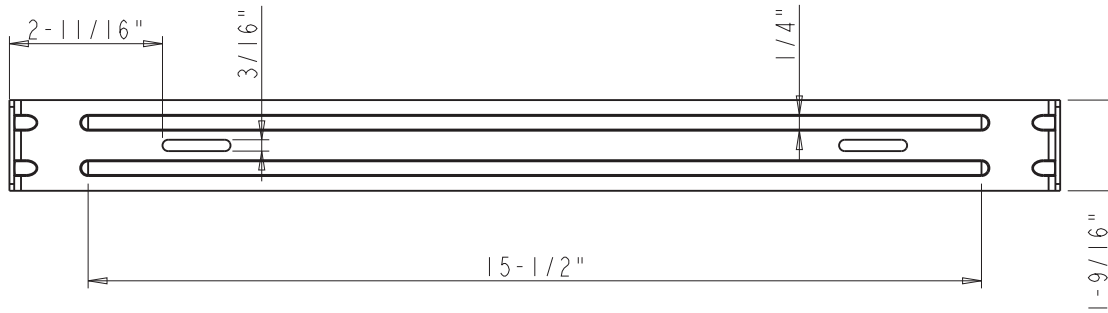
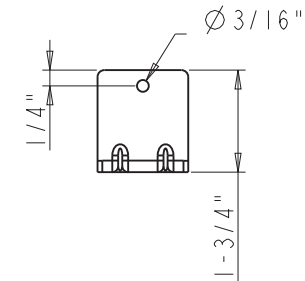
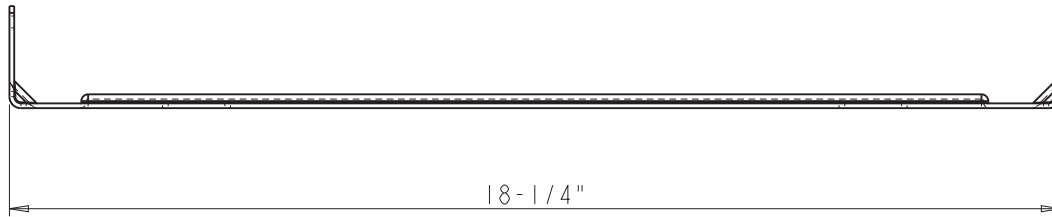
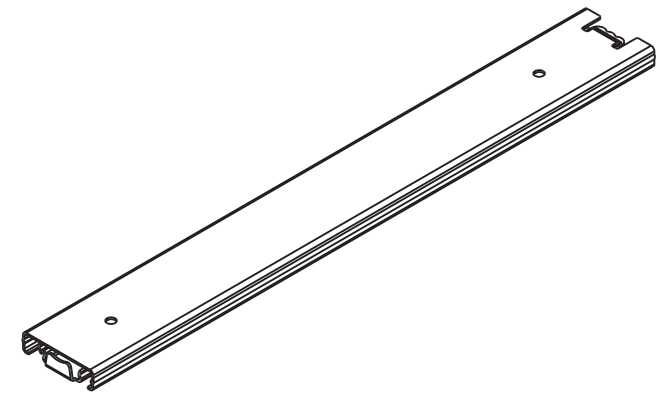
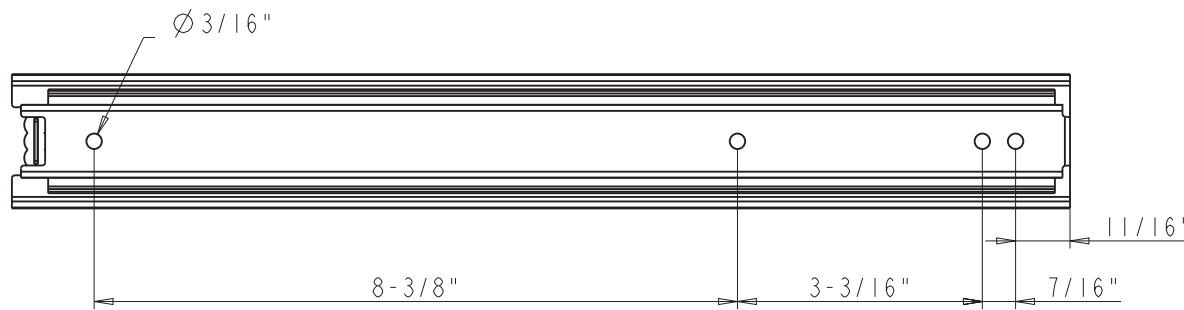
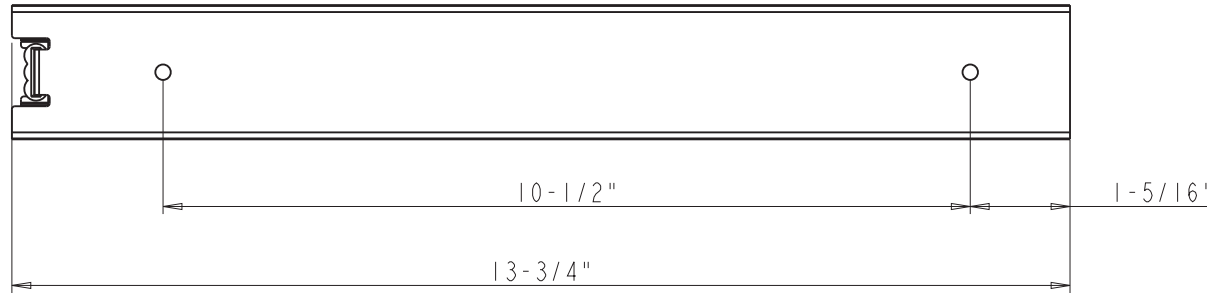


	ITEM#: FRAME 1		MATERIAL: PTC_MATERIAL_NAME		
	FINISH:		WEIGHT: 0.000 g		
<b>PROPRIETARY AND CONFIDENTIAL</b>  THE INFORMATION CONTAINED IN THIS DRAWING IS THE SOLE PROPERTY OF HARDWARE RESOURCES INC. ANY REPRODUCTION IN PART OR AS A WHOLE WITHOUT THE WRITTEN PERMISSION OF HARDWARE RESOURCES INC. IS PROHIBITED.	TOLERANCE UNLESS OTHERWISE SPECIFIED: X ±0.20 XX ±0.10 XXX ±0.05 ANGULAR: ±0.5°		UNITS: DRAWN BY: <i>Hugo.cai</i>	DATE: 07-28-15	
	DO NOT SCALE DRAWING		SIZE: A4	DATE:	
			SHEET: 1 OF 1	APPROVED BY:	DATE:
			RELEASE LEVEL:	REVISION:	



	ITEM:	HENGLIANG		MATERIAL:	PTC_MATERIAL_NAME
	FINISH:			WEIGHT:	0.000
<p><b>PROPRIETARY AND CONFIDENTIAL</b></p> <p>THE INFORMATION CONTAINED IN THIS DRAWING IS THE SOLE PROPERTY OF HARDWARE RESOURCES INC. ANY REPRODUCTION IN PART OR AS A WHOLE WITHOUT THE WRITTEN PERMISSION OF HARDWARE RESOURCES INC. IS PROHIBITED.</p>	<p>PROJECTION</p>		DATE:		07-28-15
	TOLERANCE UNLESS OTHERWISE SPECIFIED:	UNITS:	DRAWN BY:		
	X ±0.20 XX ±0.10 XXX ±0.05 ANGULAR: ±0.5°	SIZE:	APPROVED BY:		DATE:
	DO NOT SCALE DRAWING	SHEET:	RELEASE LEVEL:		REVISION:
		A4			
		1 OF 1			



<p><b>hardware resources</b></p> <p>PROPRIETARY AND CONFIDENTIAL</p> <p>THE INFORMATION CONTAINED IN THIS DRAWING IS THE SOLE PROPERTY OF HARDWARE RESOURCES INC. ANY REPRODUCTION IN PART OR AS A WHOLE WITHOUT THE WRITTEN PERMISSION OF HARDWARE RESOURCES INC. IS PROHIBITED.</p>	ITEM:	303FU141		MATERIAL:	PTC_MATERIAL_NAME	
	FINISH:			WEIGHT:	0.000 g	
	TOLERANCE UNLESS OTHERWISE SPECIFIED:			UNITS:	DRAWN BY:	DATE:
	X ±0.20 XX ±0.10 XXX ±0.05 ANGULAR: ±0.5°			SIZE:	APPROVED BY:	DATE:
DO NOT SCALE DRAWING			SHEET:	RELEASE LEVEL:	REVISION:	
			1 OF 1			