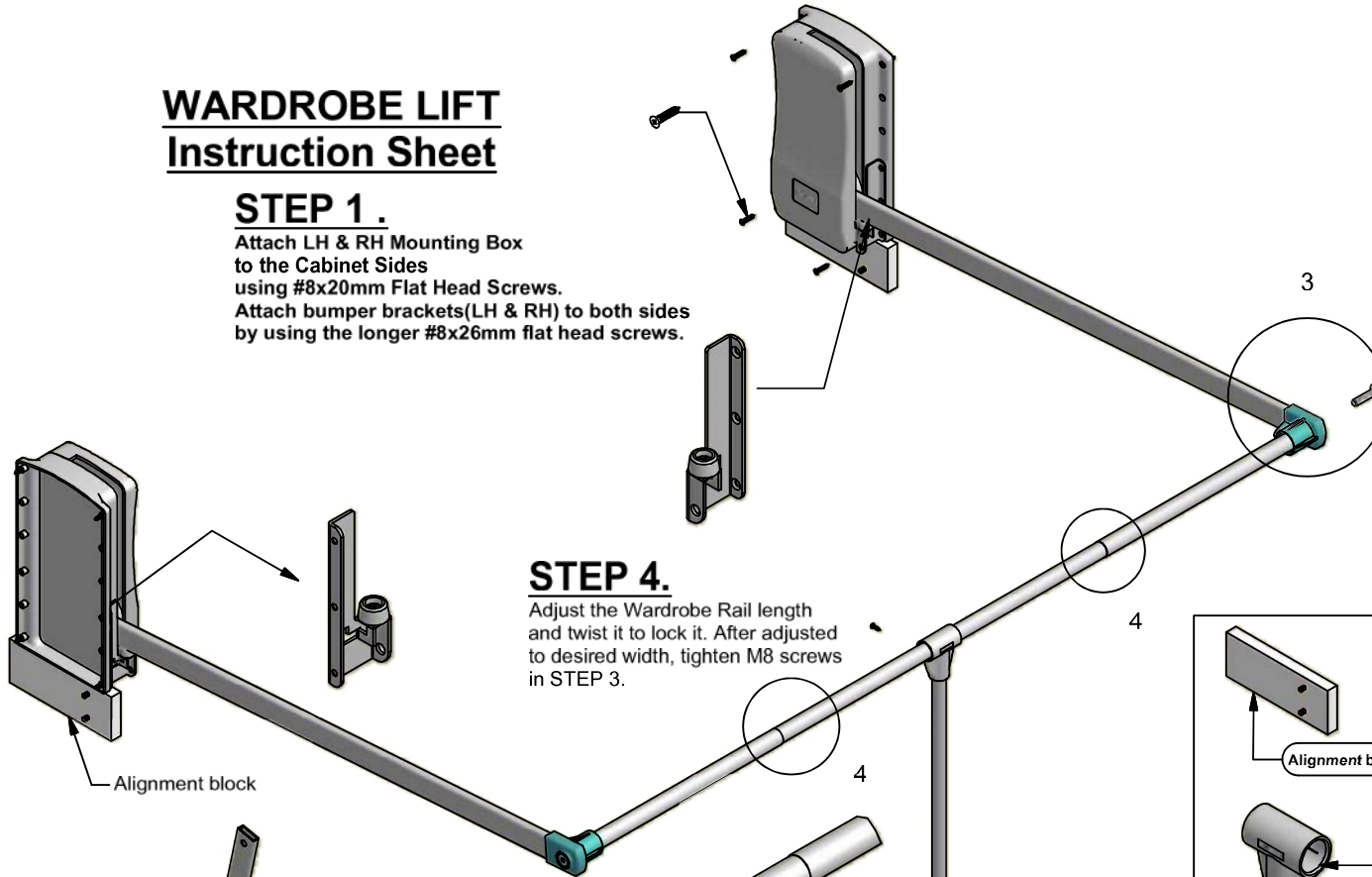


**WARDROBE LIFT**  
**Instruction Sheet**

**STEP 1.**

Attach LH & RH Mounting Box to the Cabinet Sides using #8x20mm Flat Head Screws. Attach bumper brackets(LH & RH) to both sides by using the longer #8x26mm flat head screws.



**STEP 4.**

Adjust the Wardrobe Rail length and twist it to lock it. After adjusted to desired width, tighten M8 screws in STEP 3.

**STEP 5.**

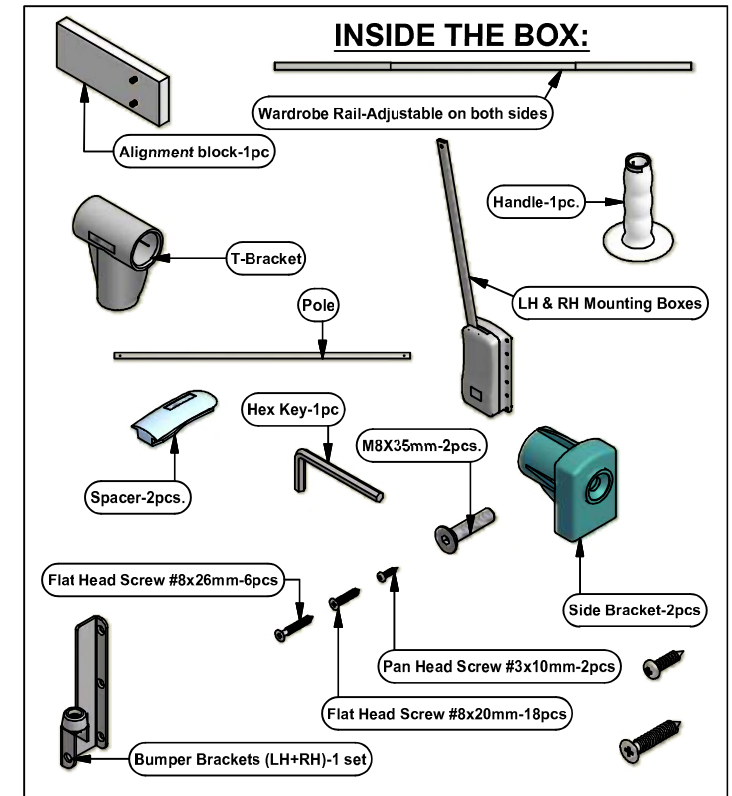
Use **Optional** Spacer for additional clearance in shallow depth cabinets. This will allow hangers to fit.

**STEP 2**

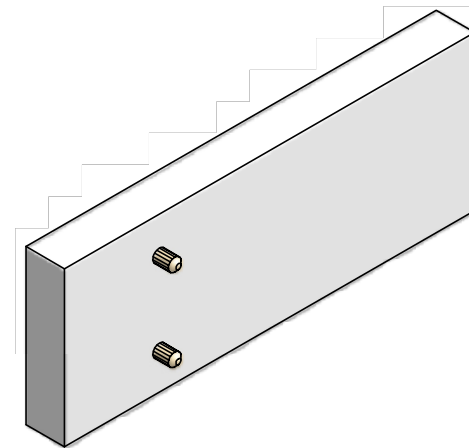
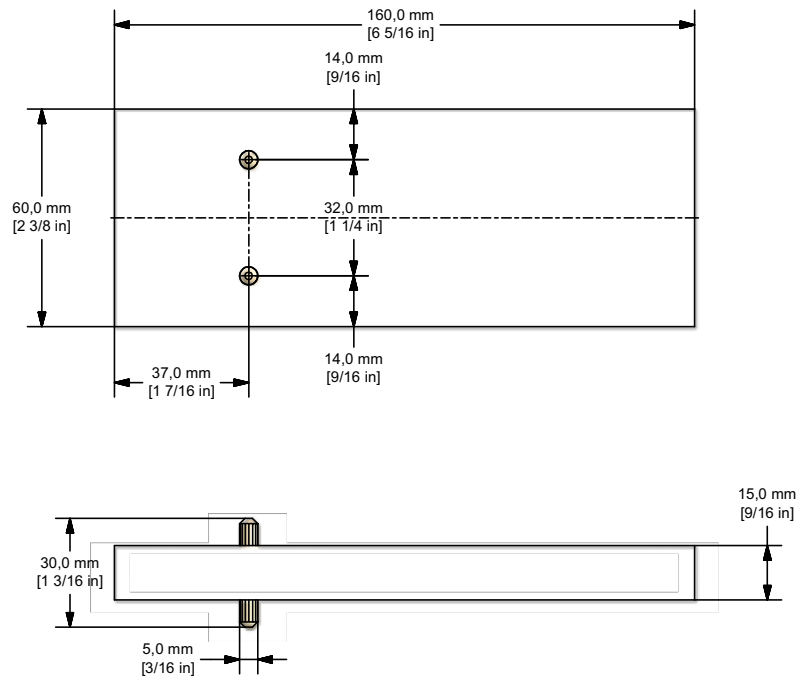
Attach the T-Bracket + Handle to Pole using #3x10mm Pan Head Screws

**STEP 3.**

Attach the Side Supports to the Adjustable Wardrobe Rail with M8X35mm Bolts by using the Hex Key and loosely tighten.



Alignment block  
( 1 : 2 )



**Alignment Block:**

It is very important to install the Mounting Boxes in the same location (height and set-back) on the adjacent side panels. This simple block can be used as a jig to assure Mounting Boxes are mounted at the same height.

1. Install wooden dowels in to holes.
2. Insert Block in to the line holes on side panels directly below where Mounting Boxes are to be mounted.
3. Place Mounting Boxes directly on this block, measure set-back and affix with attachment screws.
4. Transfer this block to the other side and repeat.

**Notes:**

- This jig will only assist if 32mm line holes are present.
- This jig will only help with height location. As set-backs vary, please take care to accurately measure the same set-back on both side panels.