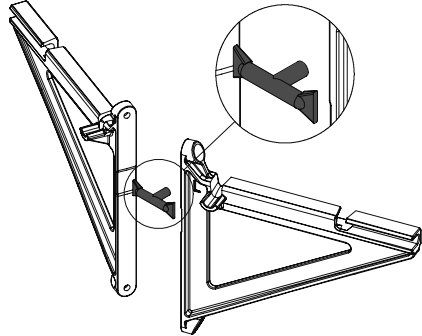


# Installation Guide

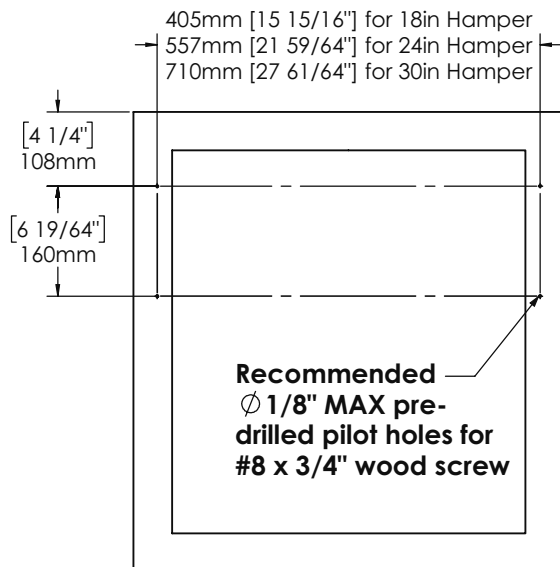
## Tilt-Out Hamper

### Snap to detach both brackets

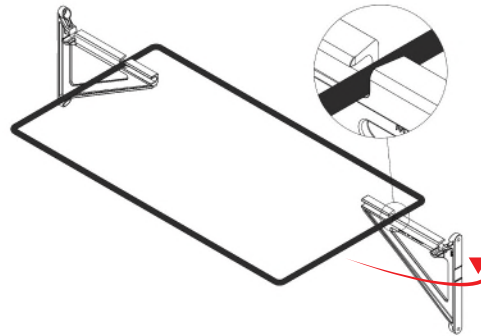
Detach and discard connector



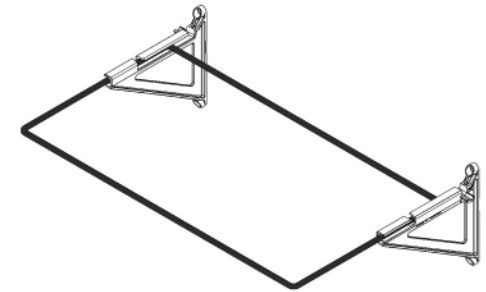
### Recommended pre-drilled pilot holes



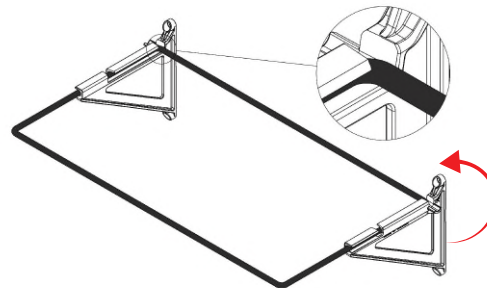
### Step 1



Connect brackets to frame and rotate towards the back

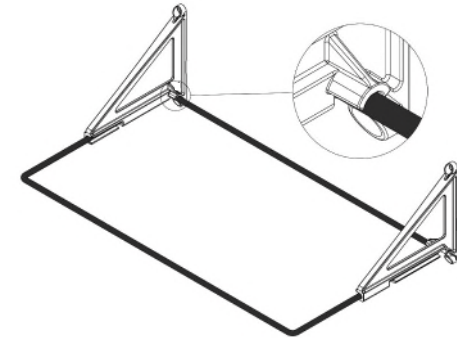


### Step 2



Push corner against the bracket

Rotate the brackets up so the tab rests on the frame



### Step 3

