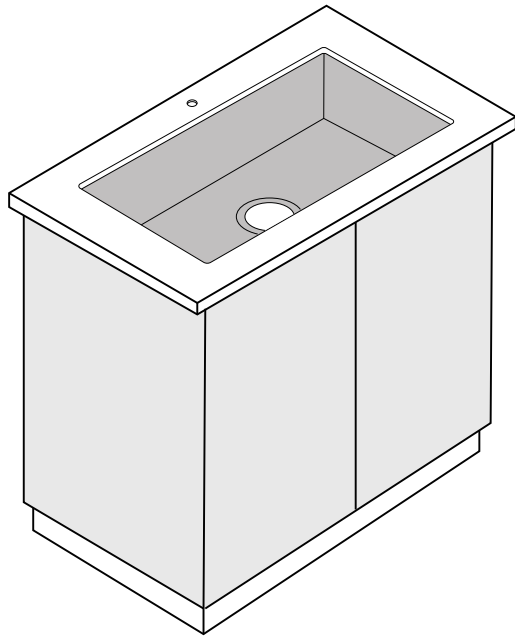




# INSTALLATION GUIDE

GUIDE D'INSTALLATION  
GUÍA DE INSTALACIÓN



• **ENGLISH**  
INSTALLATION GUIDE  
UNDERMOUNT

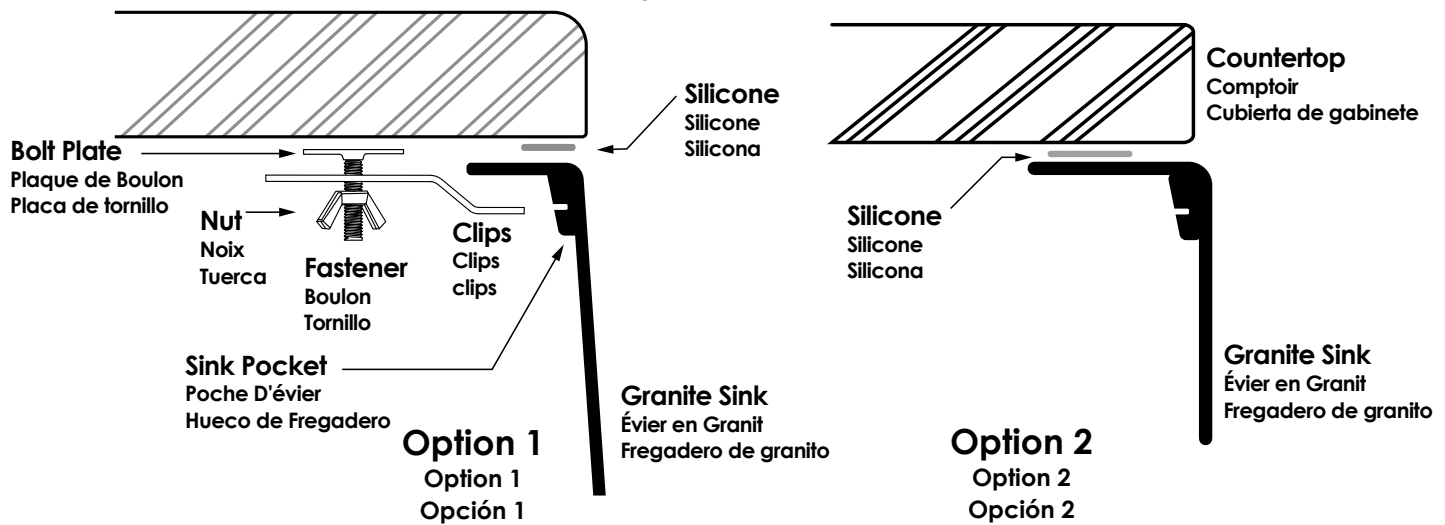
PAGE

**2 - 4**

## Mounting System - Type A

Système de montage - Type A  
Sistema de Montaje - Tipo A

Countertop  
Comptoir  
Cubierta de gabinete



THANK YOU  
FOR  
CHOOSING  
STYLISH®

We work hard to provide innovative and beautiful designs that last and delight your home.

We would love to hear from you. Tell us what you think of the product by leaving a review through the dealer where you have purchased this product.

Your feedback is important for our continuous improvement and will also let other customers make the correct choice.



# INSTALLATION GUIDE

## UNDERMOUNT

COMPOSITE GRANITE SINK

IF YOU HAVE PURCHASED A **UNDERMOUNT SINK**, PLEASE MAKE SURE TO READ THESE INSTRUCTIONS CAREFULLY

1

### Prior to installation:

Make sure that you have all necessary parts by checking the parts list. If any part is missing, please contact Stylish® Customer Service at [+1-855-789-5352](tel:+1-855-789-5352) for a replacement.

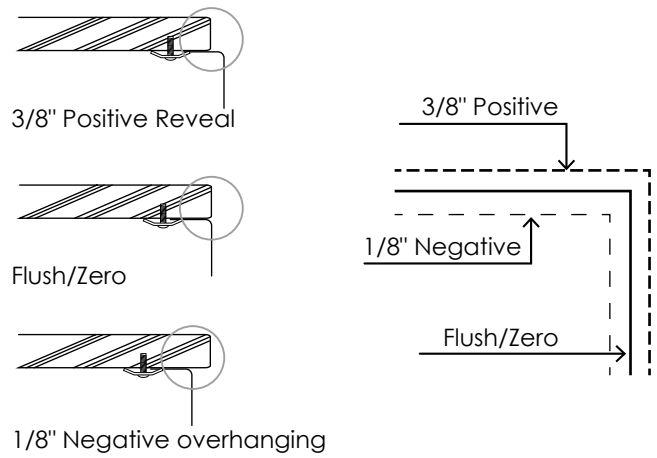
Inspect the sink prior to installation to make sure that it has not been damaged during shipping.

You may use the cut-out template provided or download DXF file from [www.stylishkb.com](http://www.stylishkb.com), the file is available under each sink model.

Observe all plumbing and building codes according to your state requirements.

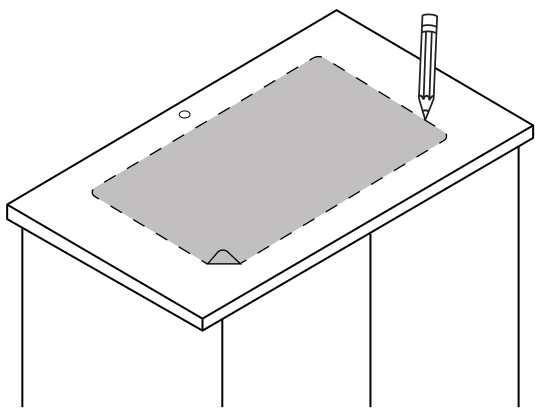
Not recommended to be installed with laminate countertop.

2



Use scissors to cut along the line of the paper template for you desired reveal type (Negative, Positive or Flush Reveal)

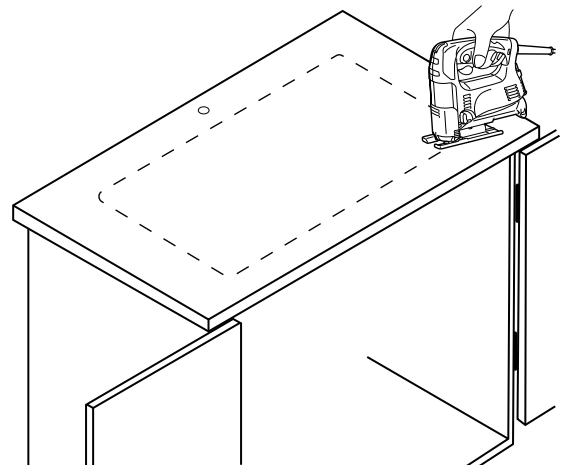
3



Place cut-out template in desired position on countertop locating center of the bowl over cabinet.

Note: Sink installation is normally performed by the countertop provider.

4



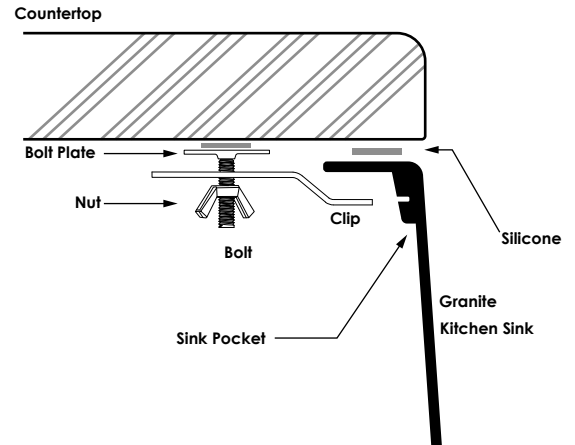
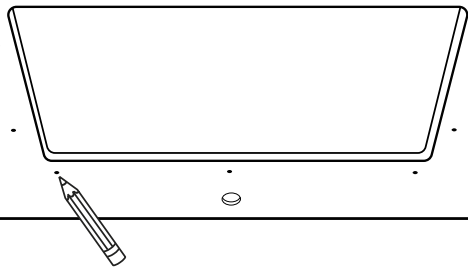
Trace the outline of the template and cut countertop according to templated outline using appropriate cutting tools. Template is for guide only. Use physical sink to ensure accurate cut-out opening. It is recommended to use the actual sink dimensions to ensure the most accurate cut out. Drawing or template are for reference.

### WARRANTY

For additional technical assistance or for any questions or concerns about your kitchen sink's warranty, please contact us.

5

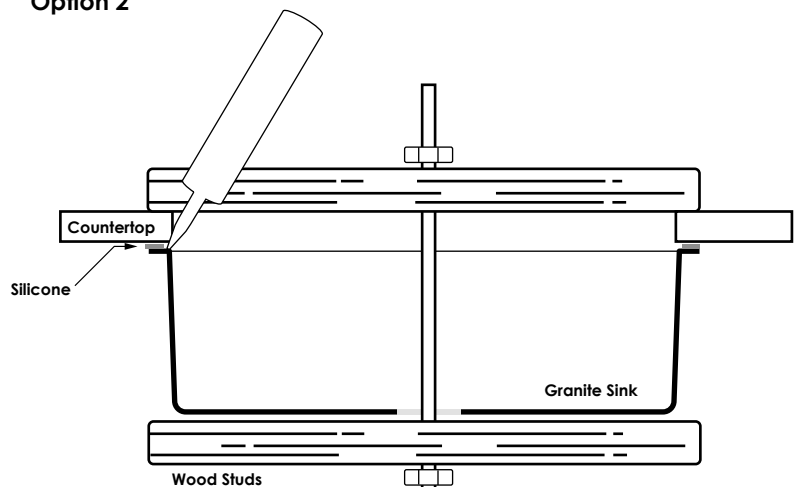
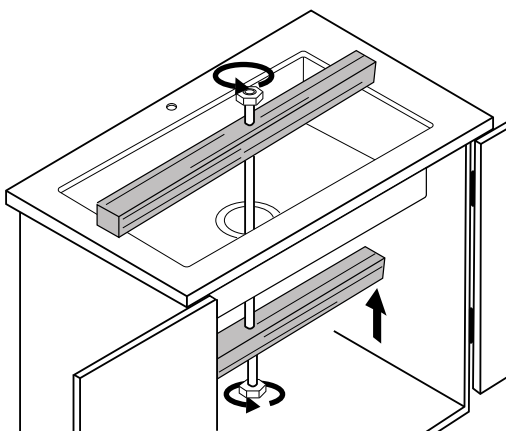
### Option 1



Check sink pocket positions, and determine where to glue the bolt plates. Stick the bolt plates underneath the countertop, then let the bracket adhesive to cure before applying weight to the bolt plate.

Insert anchors under the countertop on the drilled holes, so they are ready to fasten the sink flange. Anchors should be inserted with a hammer until flush.

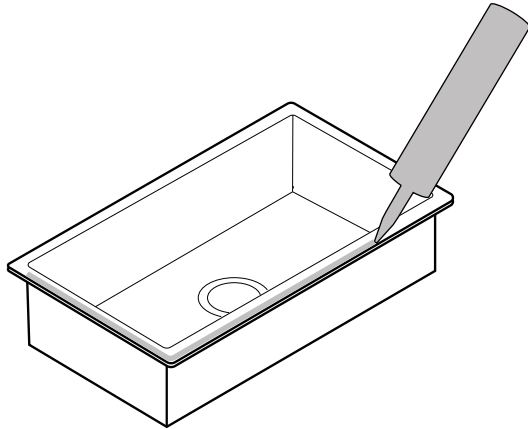
### Option 2



Clamp the sink and hold in place while adhesive cures. There are different methods, we suggest using a couple of pieces of wood with a threaded rod. Set one piece of wood under the sink and another over the countertop.

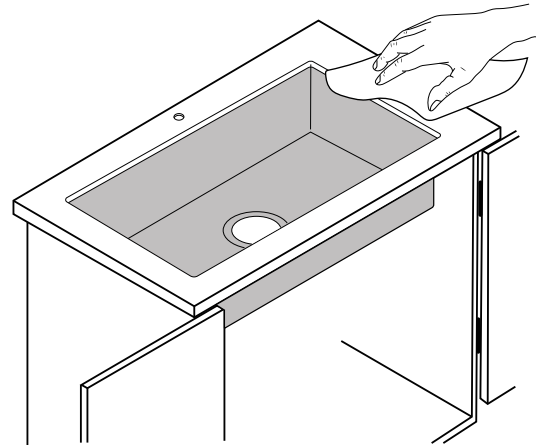
Clamp the boards so the sink stays suspended about 1 in below the countertop. Clean sink flange and underside of cut-out area of countertop, making sure that the area is smooth and free of debris. Apply continuous bead of silicone caulk evenly on top of sink flange.

6



Clean sink flange and underside of cut-out area of countertop, making sure that the area is smooth and free of debris. Apply continuous bead of silicone caulk evenly on top of sink flange.

7



Check alignment of sink again and tighten fasteners to secure sink. Wipe away excess silicone caulk with damp cloth. Connect drain and water supply according to manufacturer's instruction.

**Option 2:** To allow silicone to cure, it is recommended to wait for 24 hours at least before removing installation device.

### CARE AND CLEANING

Apply hot water and a few drops of mild dish soap.

Scrub the sink using the sponge.

After you have thoroughly scrubbed the sink, rinse it and dry using a soft cloth.

Optional: you could use a small amount of mineral oil to restore your sink's shine.