

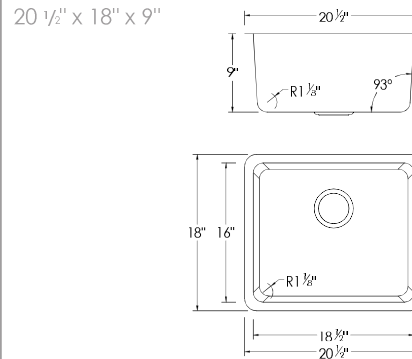


# PALMA S-408T

STAINLESS STEEL  
SINGLE BOWL KITCHEN SINK



### DIMENSIONS



### INCLUDED ACCESSORY



ST-05  
STRAINER

### RECOMMENDED ACCESSORIES



A-911  
BASKET



A-916DG  
DRYING MAT



A-904  
CUTTING BOARD



A-910  
SERVING BOARD



A-913  
CUTTING BOARD



A-900DG  
DRYING RACK



A-905  
COLANDER



S-01S  
SOAP DISPENSER

### SURFACE FINISH

BRUSHED  
SATIN FINISH

### DRAIN HOLE SIZE



### CORNER PROFILE



RADIUS 30mm

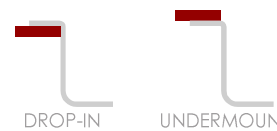
### INSULATION

COATED +  
RUBBER PADS

### BOWL DEPTH



### INSTALLATION OPTIONS



### MATERIAL

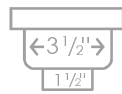
Premium 18 gauge stainless steel with 18/10 chrome-nickel content. The 18% of chrome content provides durability, maximum protection against rust and a beautiful satin finish. The 10% of nickel content provides excellent strength and hardness.



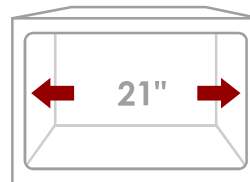
### PRODUCT DIMENSIONS

Overall Dimensions	20 1/2" x 18" x 9"
Internal Dimensions	18 1/2" x 16" x 9"
Left Basin	-
Right Basin	-
Drain Opening Size	3 1/2"

### STANDARD STRAINER



### CABINET SIZE



MINIMUM  
INTERNAL SIZE

### GARBAGE DISPOSAL

Stylish® sinks have on standard 3 1/2" drain opening that can fit any garbage disposal unit. The sink structure is well designed to withstand any heavy garbage disposal unit.



### WARRANTY

This product is covered by a limited lifetime warranty. Consult our website for complete details.

### PRODUCT CARE

Rinse and dry your sink with a clean soft cloth, working with, not a cross, the grain. We recommend the use of a mild solution of water and vinegar to remove any mineral deposits that may have built up on your sink.

Use mild non-abrasive liquid cream cleaners that do not contain chlorine, sodium hypochlorite or hydrochloric acid to help maintain the original appearance of your sink. Ensure that you thoroughly rinse your sink and wipe it dry. We recommend the use of a stainless steel grid that fits inside the bottom of the sink bowl and protect the sink from scratches.



### STANDARDS COMPLIANCE

This sink meets cUPC standards. The ST-05 strainer is cUPC certified by the factory.