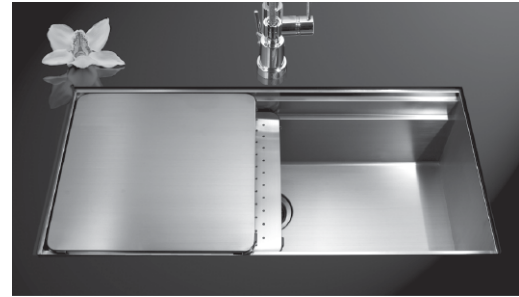


**NOVUS SERIES**

**Tight 3/8" Radius Undermount Large Single Bowl**

Dual Sliding Platforms System

**Model : NVS-5100**



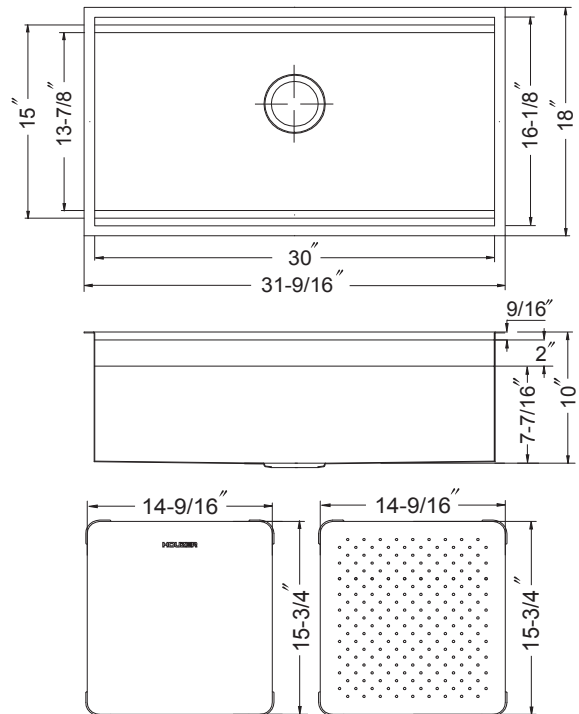
NVS-5100

**FEATURES**

- Premium grade T-304 stainless steel
- 10" depth • 18 gauge
- MegaShield™ insulation
- Tight 3/8" radius corner
- Includes interchangeable worktop cover, drying board
- Brushed satin, rear-set drain • 3-1/2" drain opening
- Fits 36" sink base
- Supplied with cutout template, fasteners and instructions
- Complies with ASME A112.19.3-2000, UPC®
- Lifetime Limited Warranty



ASME A112.19.3-2000



**OPTIONAL ACCESSORIES**

Bottom Grid: BG-4600

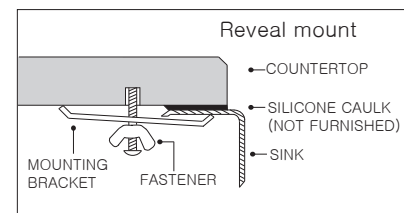
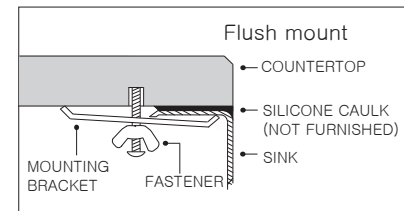
Cutting Board : CB-4700

Strainer: 190-9180

OVERALL DIMENSIONS	EACH BOWL	CUTOUT SIZE	PACKAGING*	WEIGHT*
31-9/16" x 18"	30" x 13-7/8"	See Template	1/10 pcs.	37/410 lbs.

\*Standard packaging: Single boxed /Pallet of single boxed.  
All dimensions are in inches. Specifications subject to change without notice.

**Installation profile**



Project/Job name

Architect/Engineer

Contractor

Model

Q'ty

Notes