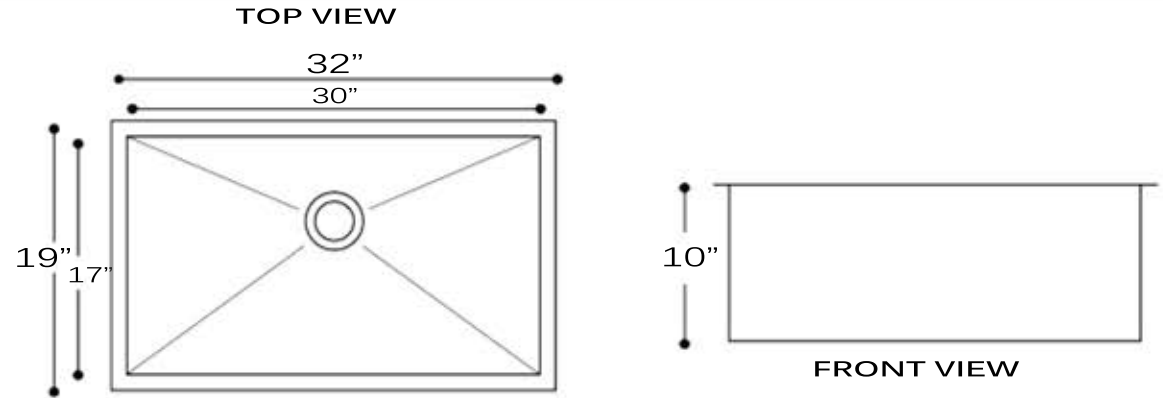


Pro Series Collection
Premium Stainless Steel
Zero Radius Pro Undermount Kitchen Sink



MODEL:
ZR3219-16



| Overall Dimensions | Large Bowl | Bowl Depth | Bottom Grid/s | Reverse Model |
|--------------------|------------|------------|---------------|---------------|
| 32" X 19" | 30" x 17" | 10" | BG3017 | NA |

FEATURES

- Premium 304, 16 gauge Stainless Steel Kitchen Sink
- 10" Bowl Depth
- Brushed Satin Finish
- Limited Manufactures Warranty
- Insulated to Reduce Condensation
- Rubber Padding is Applied for Noise Reduction



PROJECT/ NAME:

ARCHITECT/CONTRACTOR:

MODEL:

JOB NOTES: