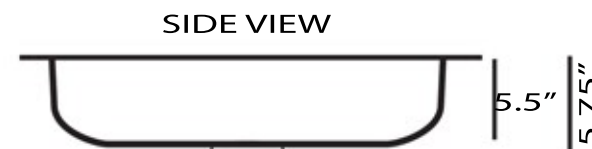
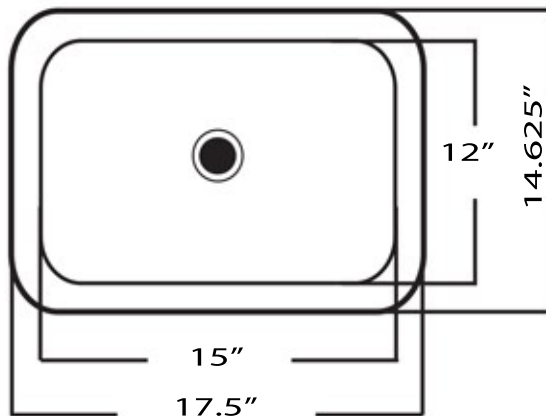


Brightwork Home Collection

Premium Hammered Stainless Steel Bar Sink



MODEL:
RES



Overall Dimensions	Interior Bowl	Bowl Depth	Drain Opening	Overflow
17.5" x 14.625" x 5.75"	15" x 12"	5.5" (Interior)	2"	None

FEATURES

- Premium 18 Gauge stainless steel bar sink
- Hand hammered, individual variations will exist
- May be overmounted or undermounted
- Limited Manufacturers Warranty (not for finish)
- As with all stainless may patina - polishing will bring back luster
- Correct drain is a Junior Duo (3") - drain not included with sink

** Nominal Dimenisons - Actual May Vary by up to .25"



PROJECT/ NAME:

ARCHITECT/CONTRACTOR:

MODEL:

JOB NOTES: