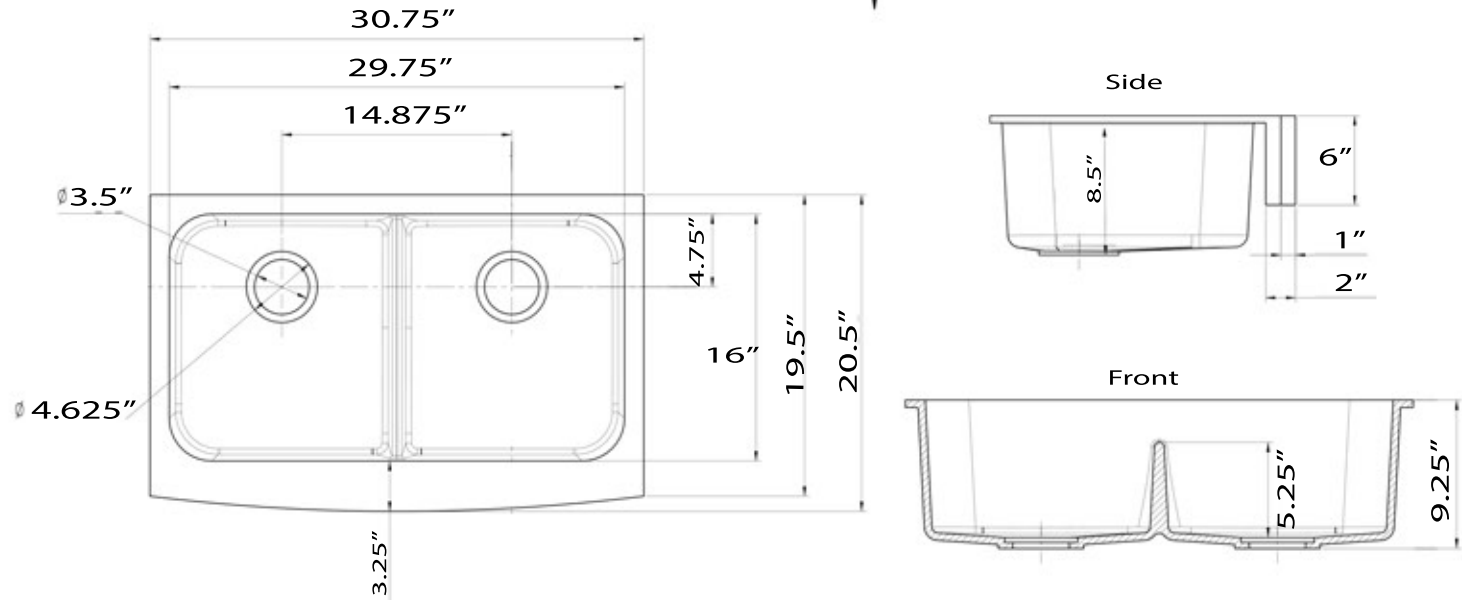


Glacierstone Collection

Double Bowl Retrofit Farmhouse Apron Sink



MODEL:
NS-GSEZA32D



| Overall Dimensions | Interior Bowl | Apron Height | Short Height Divider | Drain Dimensions |
|------------------------|---------------------|--------------|----------------------|------------------|
| 30.75" x 20.5" x 9.25" | 29.75" x 16" x 8.5" | 6" | 5.75" | 3.5" Opening |

Features:

- Premium Glacierstone kitchen sink
- Retrofit installation for standard base cabinet
- Grids and colander drains included
- Warranty against discoloration - 15 years
- Solid material - scratches can be buffed out (kit included)
- Heat resistant to 500°F
- Template Not Included
- Proper installation requires cutting of cabinetry fascia boards and building of supports



PROJECT/ NAME:

ARCHITECT/CONTRACTOR:

MODEL:

JOB NOTES:

ATTENTION!

Designed for framed cabinets. The distance from cabinet top to the cabinet door must be greater than six inches.