

# Brightwork Collection

32" Hand Hammerd Copper Prepstation Kitchen Sink



# Nantucket

S I N K S

model:

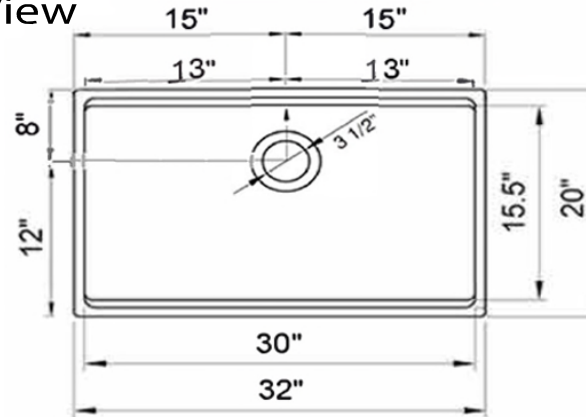
**KCH-PS-3220**

www.NantucketSinksUSA.com

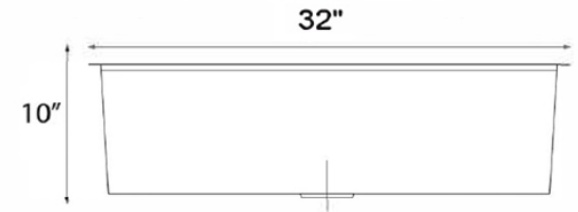
info@nantucketsinksusa.com



Top View



Front View



OVERALL DIMENSIONS	INTERIOR BOWL	BOWL DEPTH	DRAIN DIMENSIONS	HEIGHT
32" x 20" x 10"	30" x 15.5"	9.5"	3.5" Standard Opening	10"

## FEATURES:

- Lacquered Antique Copper Finish
- Accessory Ledge fits included Acaicia wood cutting board
- Hand Hammered Copper - each piece is unique
- 3.5" Drain opening (drain not included)
- Nominal Dimensions May vary by .25"
- Dualmount - can be topmounted or undermounted
- 16 Gauge Copper
- 9.5" Bowl Depth
- Garbage Disposal Safe

Project Name: \_\_\_\_\_

Architect / Contractor: \_\_\_\_\_

Job Notes: \_\_\_\_\_

\_\_\_\_\_

\_\_\_\_\_