

LEGEND SERIES

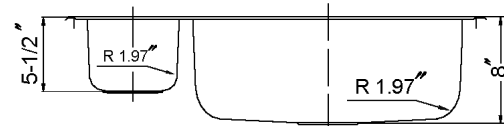
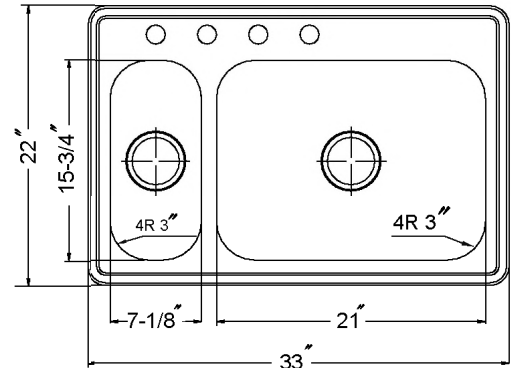
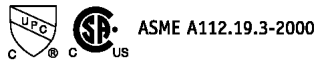
**Topmount 80/20 Double Bowl
Model LHD-3322**



LHD-3322

FEATURES

- Premium grade T-304 stainless steel
- 5-1/2" & 8" depth • 20 gauge
- StoneGuard™ undercoating over Super-Silencer pad
- Lustrous satin with highlighted rim
- Fits 36" sink base • 3-1/2" drain opening
- Supplied with fasteners and instructions
- Complies with ASME A112.19.3-2000, cUPC®
- Lifetime Limited Warranty



OPTIONAL ACCESSORIES

- Bottom Grid: BG-1100 & BG-2500 Rinsing Basket: RB-2500
 Cutting Board : CB-2500 Strainer: 190-9180
 Colander : CL-1120

OVERALL DIMENSIONS	EACH BOWL	CUTOUT SIZE	PACKAGING*	WEIGHT*
33" x 22"	7-1/8" x 15-3/4" 21" x 15-3/4"	32-1/4" x 21-1/4"	1/16/20 pcs.	17/310/330 lbs.

*Standard packaging: Single boxed /Pallet of single boxed/Pallet of bulk pack.
 All dimensions are in inches. Specifications subject to change without notice.

Project/Job name _____

Architect/Engineer _____

Contractor _____

Model _____ Q'ty _____

Notes _____

Installation profile

