



## Handmade Stainless Steel Undermount Kitchen Sink

KHU100-30 / KHU100-32 / KHU101-23 / KHU102-33 /  
KHU103-33 / KHU104-33 / KHU105-32 / KHU121-23 /  
KHU122-23 / KHU123-32

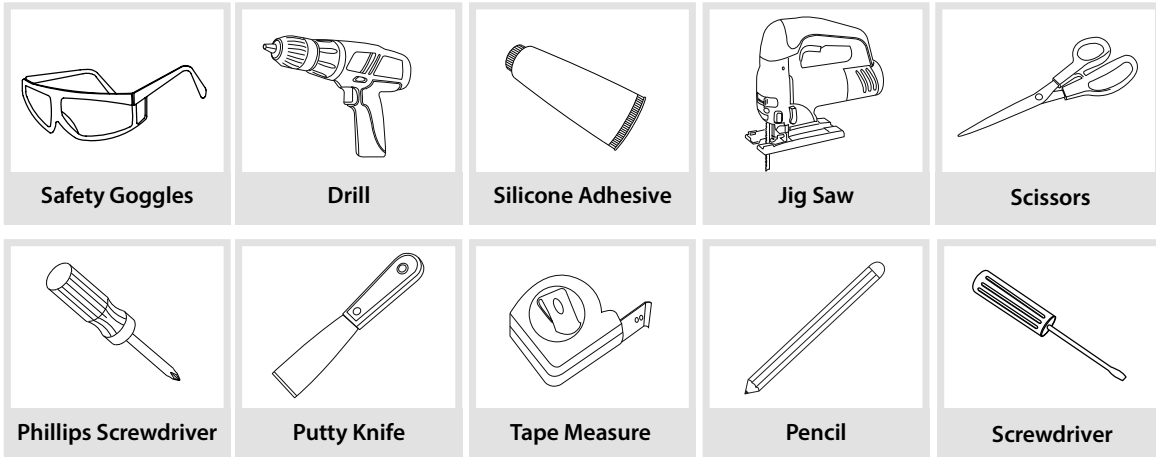
### **Prior to Installation:**

- Make sure that you have all necessary parts by checking the parts list. If any part is missing or damaged, please contact Customer Service
- Inspect the sink prior to installation to make sure that it has not been damaged or during shipping
- Use the cut-out template provided by Kraus
- Observe all plumbing and building codes according to your state requirements
- Not recommended to be installed with laminate countertop

The step-by-step guidelines in the installation instructions are a general reference for installing a Kraus Sink. Should there be any discrepancies, Kraus cannot be held liable. It is recommended to install all Kraus products by hiring a licensed professional.

## Tools you will need:

---



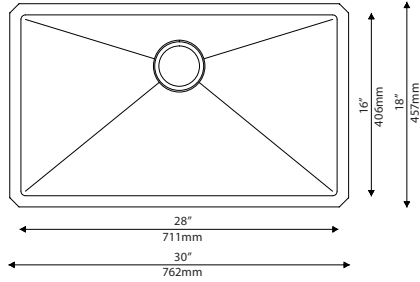
**NOTE:** Specialized tools may be necessary to install Kraus Stainless Steel Undermount sinks with countertop materials other than wood, marble, or granite

## Parts List

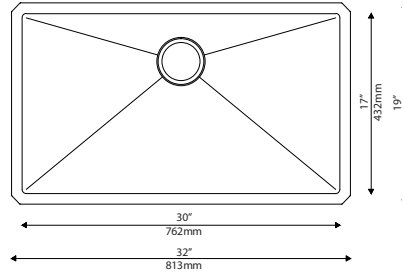
---

- Cut-Out Template
- Mounting Hardware
- Bottom Grids
- Drain

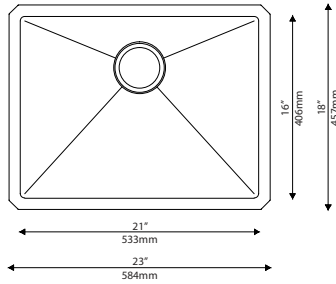
## Dimensions



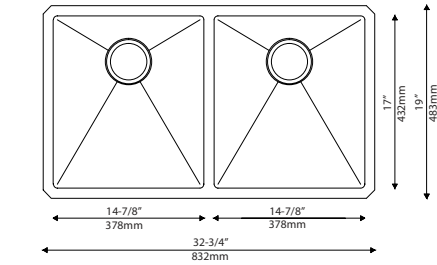
**KHU100-30**  
30" x 18" x 10"  
Min Cabinet Size: 33"  
Matching Grid: KBG-100-30  
Drain Model #: BST-1



**KHU100-32**  
32" x 17" x 10"  
Min Cabinet Size: 36"  
Matching Grid: KBG-100-32  
Drain Model #: BST-1

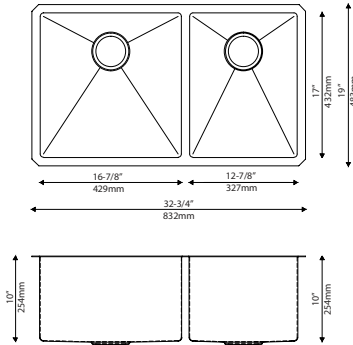


**KHU101-23**  
23" x 18" x 10"  
Min Cabinet Size: 27"  
Matching Grid: KBG-101-23  
Drain Model #: BST-1

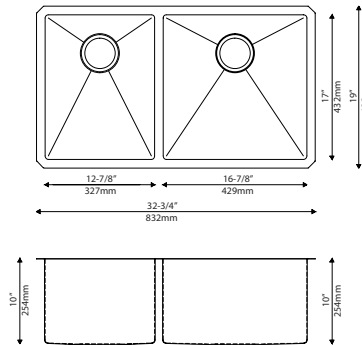


**KHU102-33**  
32 3/4" x 19" x 10"  
Min Cabinet Size: 36"  
Matching Grid: KBG-102-33-1  
and KBG-102-33-2  
Drain Model #: BST-1 & ST-1

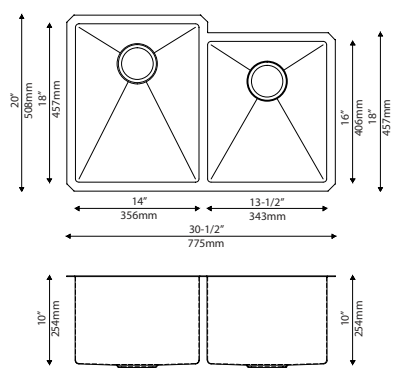
## Dimensions



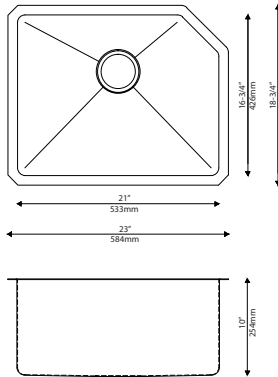
**KHU103-33**  
32 3/4" x 19" x 10"  
Min Cabinet Size: 36"  
Matching Grid: KBG-103-33-1  
and KBG-103-33-2  
Drain Model #: BST-1 & ST-1



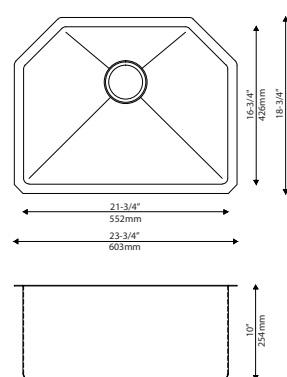
**KHU104-33**  
32 3/4" x 19" x 10"  
Min Cabinet Size: 36"  
Matching Grid: KBG-104-33-1  
and KBG-104-33-2  
Drain Model #: BST-1 & ST-1



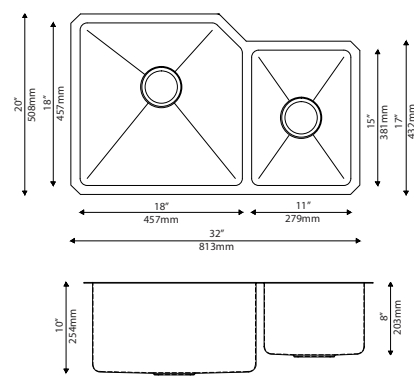
**KHU105-32**  
30 1/2" x 18" x 10"  
Min Cabinet Size: 36"  
Matching Grid: KBG-105-32-1 and  
KBG-105-32-2  
Drain Model #: BST-1 & ST-1



**KHU121-23**  
23" x 18 3/4" x 10"  
Min Cabinet Size: 27"  
Matching Grid: KBG-121-23  
Drain Model #: BST-1



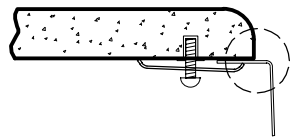
**KHU122-23**  
23 3/4" x 18 3/4" x 10"  
Min Cabinet Size: 27"  
Matching Grid: KBG-122-23  
Drain Model #: BST-1



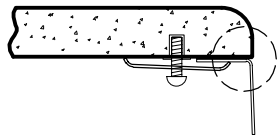
**KHU123-32**  
32" x 17" x 10"  
Min Cabinet Size: 36"  
Matching Grid: KBG-123-32-1  
and KBG-123-32-2  
Drain Model #: BST-1 & ST-1

## 1. Determine Reveal Type

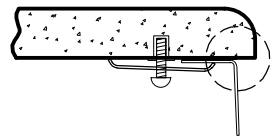
Use scissors to cut along the line of the paper template for your desired reveal type (Negative, Positive, or Flushed Reveal)



3/8" Positive Reveal

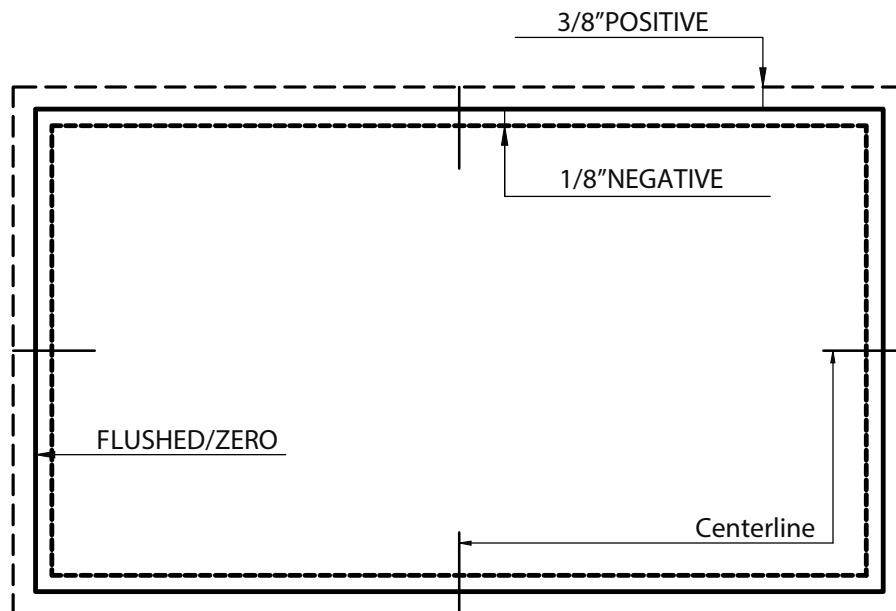


Flushed/Zero Reveal



1/8" Negative Reveal

KRAUS Recommended Installation Type

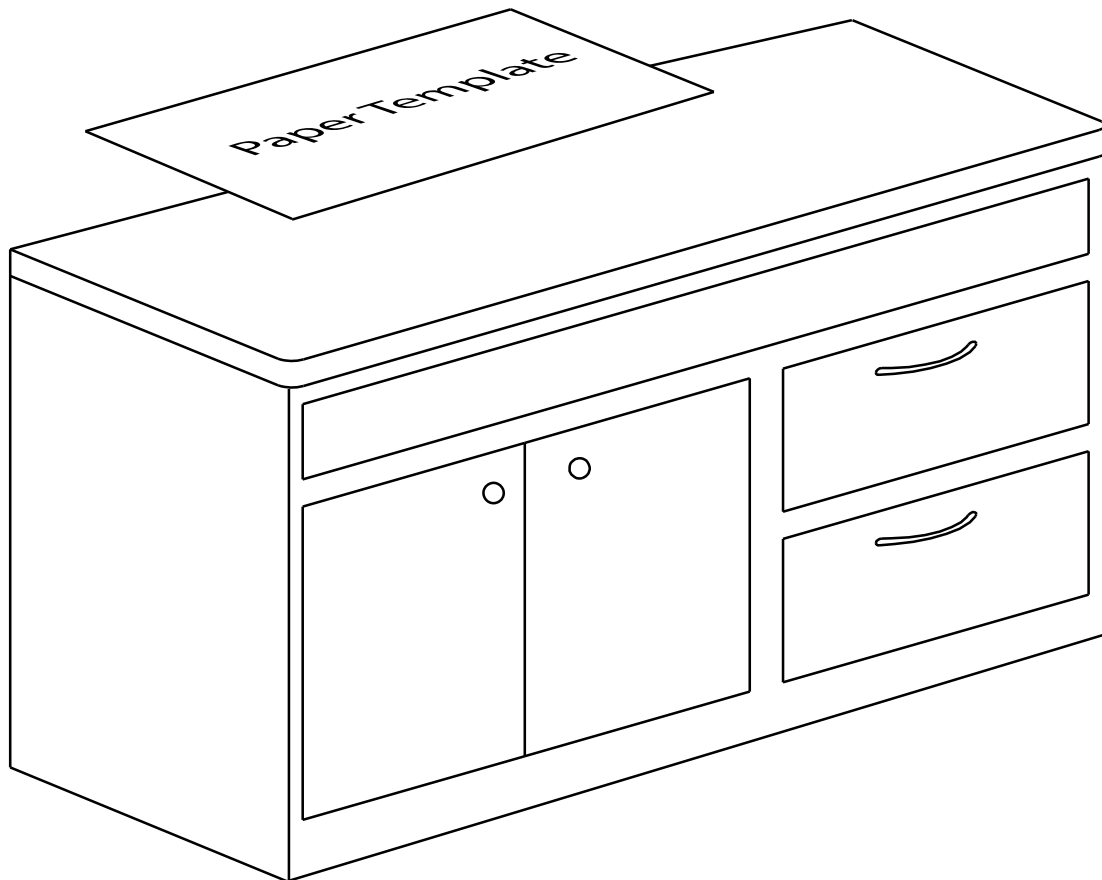


## 2. Position Template

---

- Check the cut-out template against the actual sink to ensure a proper sized cut-out
- Place the cut-out template in the desired location on the countertop

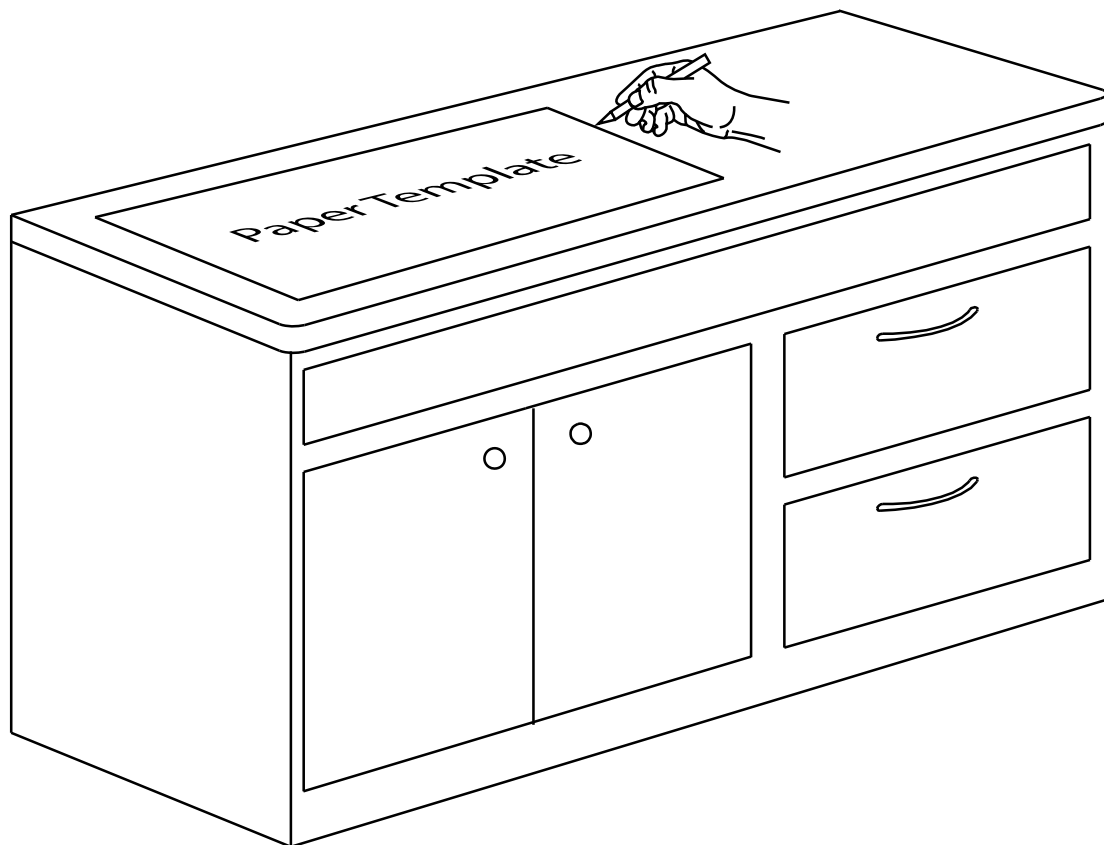
**NOTE:** Make sure clearance is suitable for backsplash, faucet, and plumbing for the sink



### 3. Trace Template

---

- Trace template on countertop with a pencil



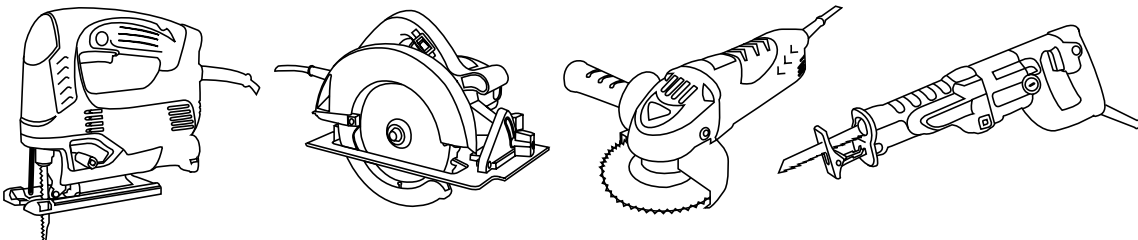
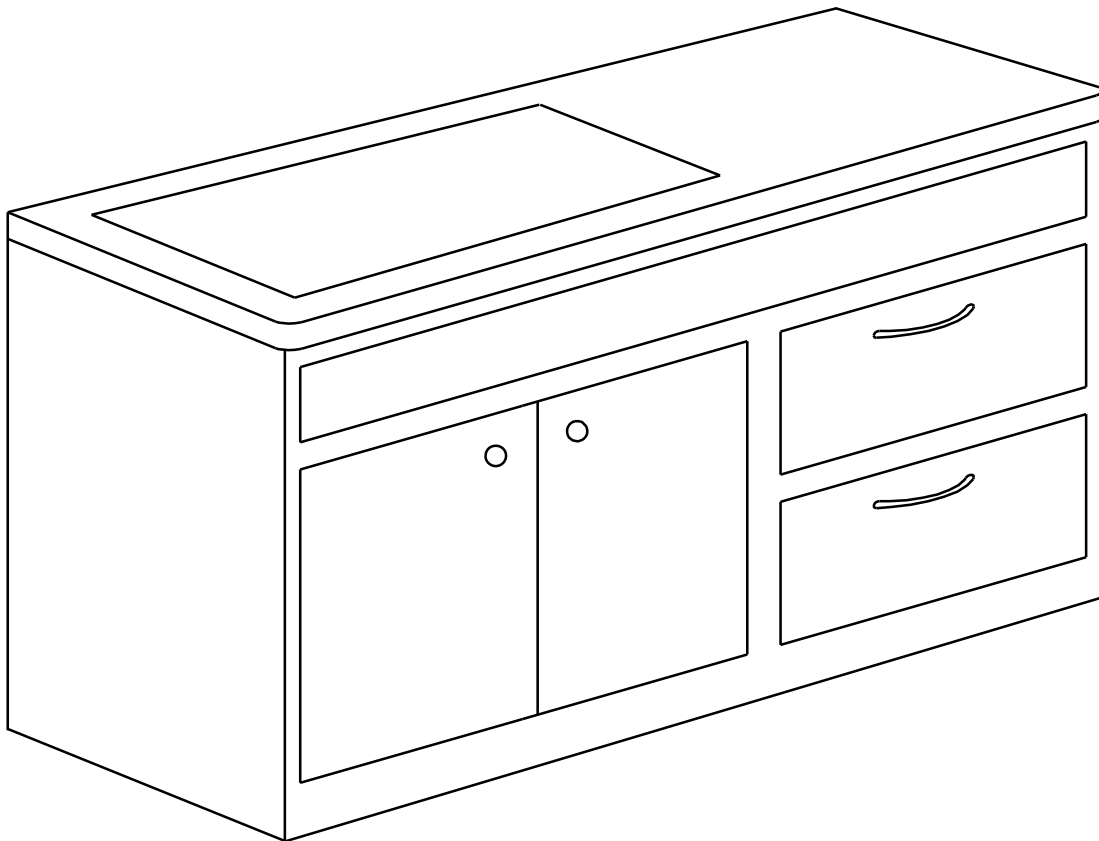


## 4. Cut Countertop

---

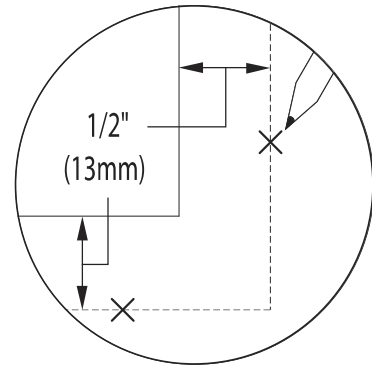
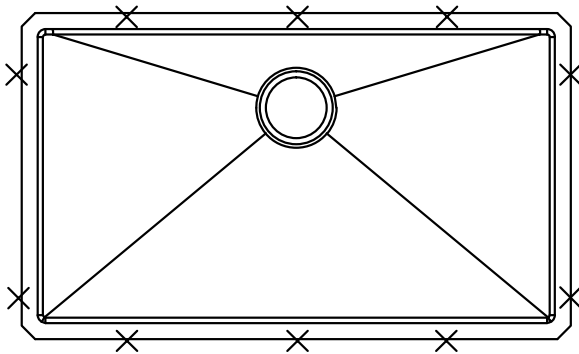
- Cut the opening in the countertop by carefully following the traced line

**NOTE:** Please use the appropriate saw that best fits your countertop material



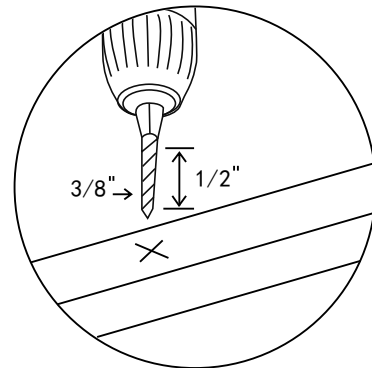
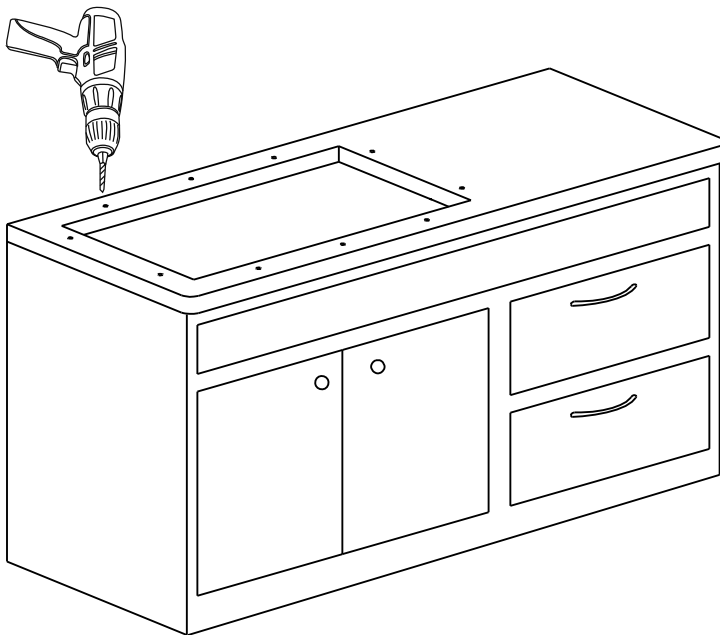
## 5. Set up Mounting Brackets

- Turn countertop over and align sink with countertop. Decide location for mounting brackets
- Mounting holes should be  $\frac{1}{2}$ " from edge of sink



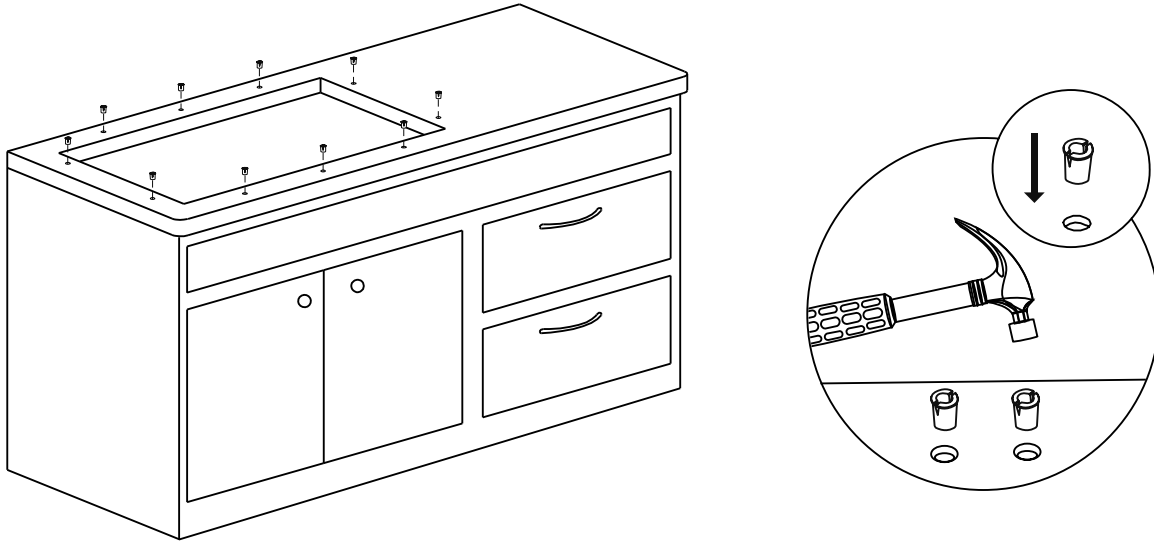
## 6. Drill Hole in Countertop

- Drill  $\frac{3}{8}$ " diameter x  $\frac{1}{2}$ " deep hole in the countertop



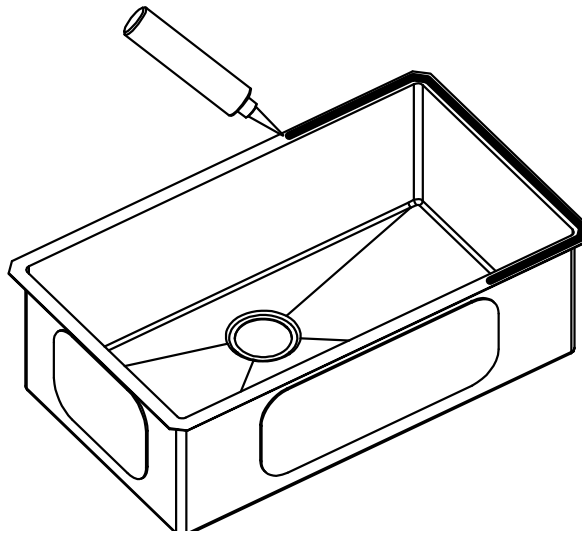
## 7. Install Anchors

- Insert anchors into drilled holes and lightly tap with a hammer until flush



## 8. Secure Sink to Countertop

- Use a bead of silicone (or preferred adhesive) around the rim of the sink. Check the alignment of the sink to the cutout in the countertop. Place sink over cutout hole and press firmly

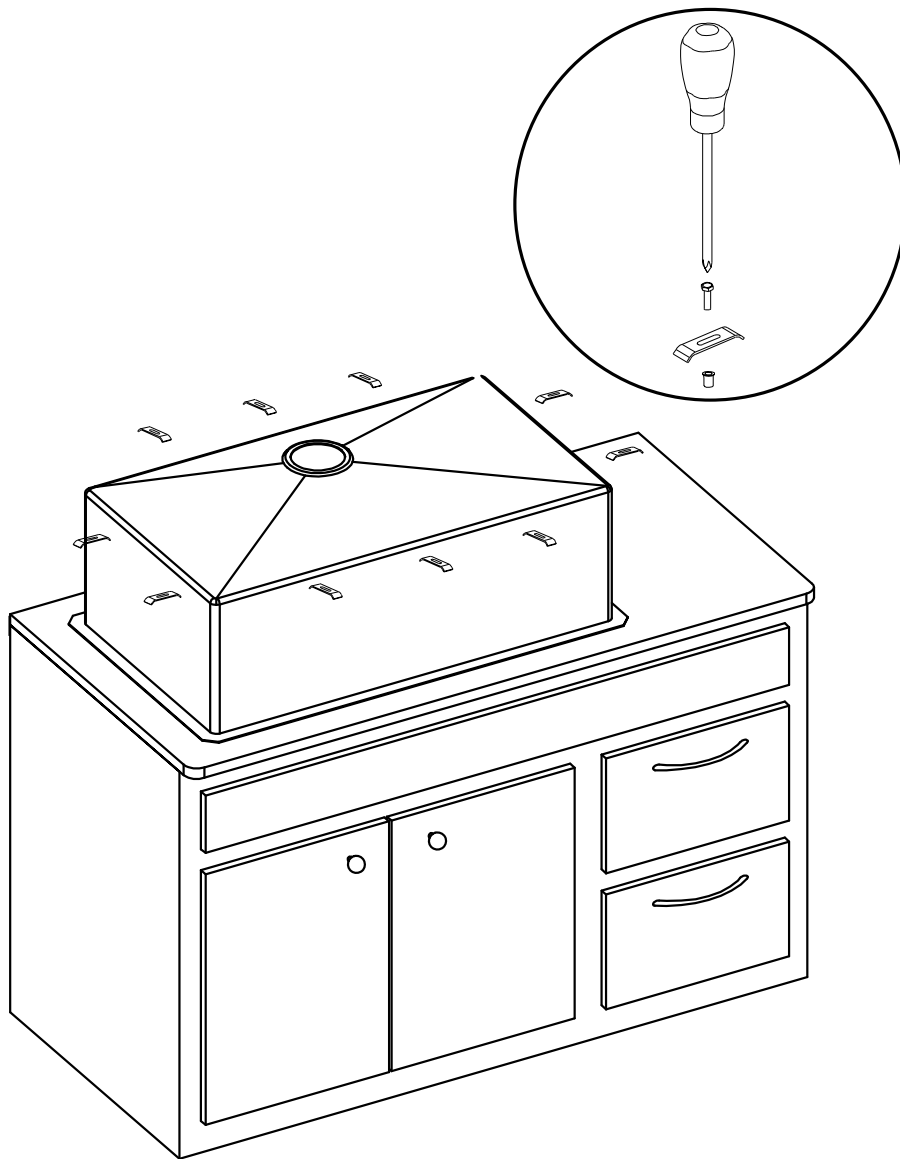


## 9. Attach Mounting Hardware

---

- Attach mounting hardware to secure bowl. Remove excess sealant from inside lip
- Allow sealant to set for 30 – 60 minutes

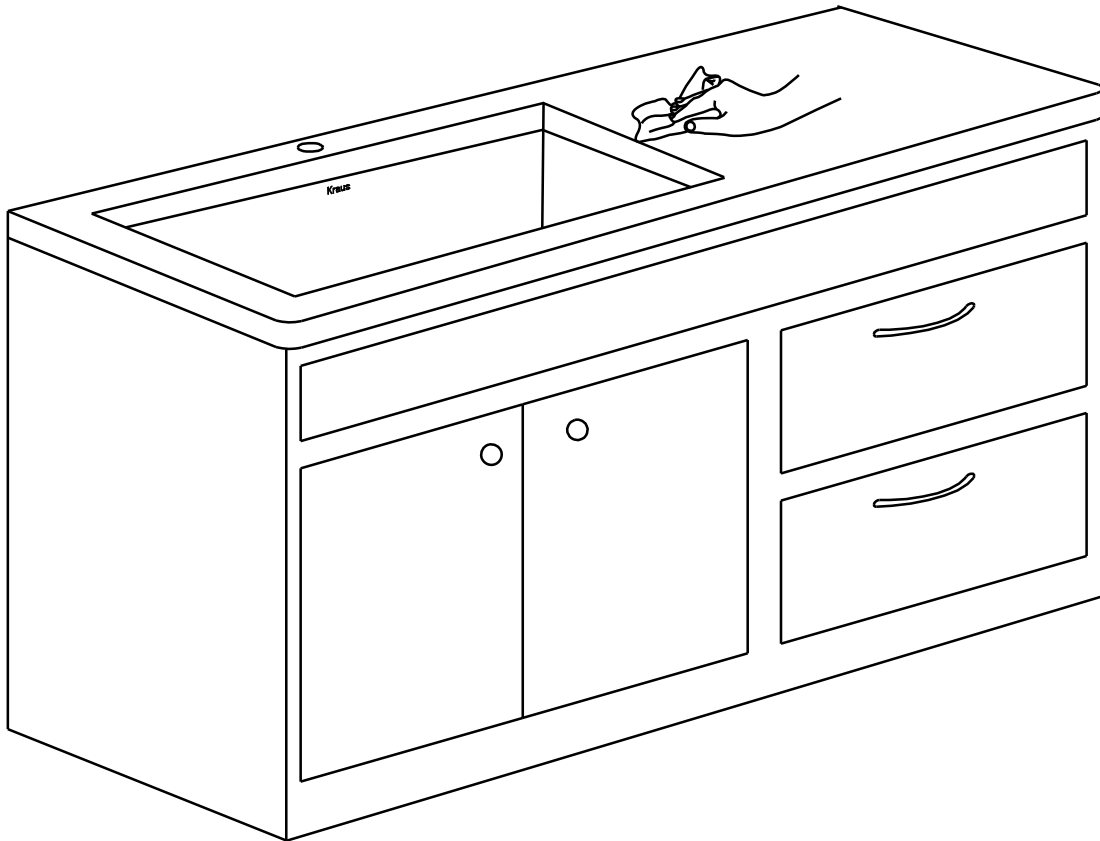
**NOTE:** Use acetone or rubbing alcohol to remove any excess sealant



## 10. Install Plumbing Fixtures

---

- Connect drain to sink. Connect trap to drain. Connect water supply connections to faucet according to manufacturer's instructions
- Run water into sink and check for leaks



## Codes/Standards Applicable:



## HELP LINE

---

**In requesting warranty service, please be ready to provide:**

1. Proof of purchase.
2. A description of the problem.