

Kräus®

INSTALLATION MANUAL

Kore Workstation Stainless Steel Undermount Kitchen Sinks

KWU111-17, KWU111-23, KWU110-27,
KWU110-30, KWU110-32, KWU112-33,
KWU120-45

Congratulations on the purchase of your new Kraus plumbing fixture!

Please keep the box and packaging materials until your product is completely installed. If you have any questions, require technical assistance or have any problems with your product:



DO NOT RETURN TO STORE

Have the model number available and retain a copy of your receipt with purchase date for reference.

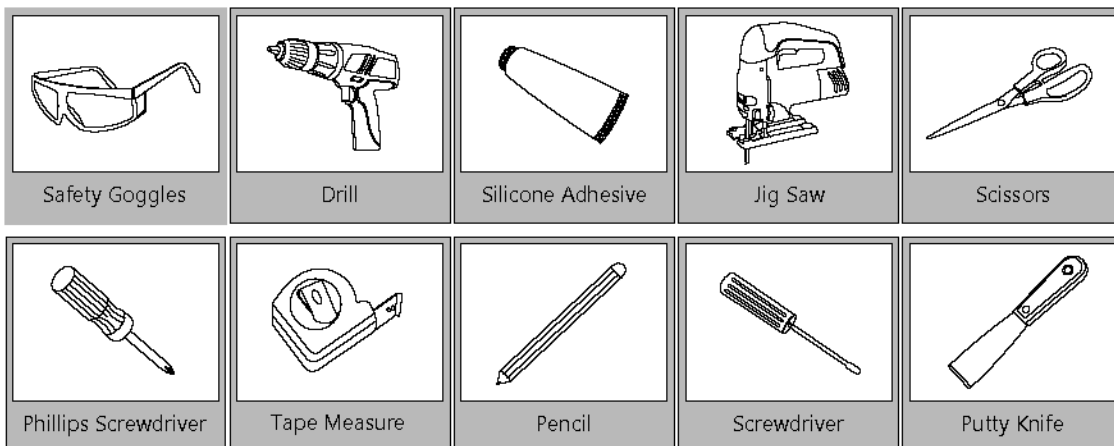
If for any reason this product does not meet your expectations, please be sure to repack this product in the original box and packaging material to avoid damage during transit.

Prior to Installation:

- Inspect the sink prior to installation to make sure that it has not been damaged or during shipping
- Use the cut-out template provided by Kraus
- Observe all plumbing and building codes according to your state requirements
- Not recommended to be installed with laminate countertop

The step-by-step guidelines in the installation instructions are a general reference for installing a Kraus sink. Should there be any discrepancies, Kraus cannot be held liable. It is recommended to install all Kraus products by hiring a licensed professional.

Tools you will need:



NOTE: Specialized tools may be necessary to install Kraus Stainless Steel Kitchen sinks with countertop materials other than wood, marble or granite.

Parts List

KWU111-17

- Cut-Out Template
- Mounting Hardware
- Bottom Grid KBG-WSU1-17
- Strainer ST-1
- Drain Cap STC-2
- Cutting Board KCB-WS03BB

KWU111-23

- Cut-Out Template
- Mounting Hardware
- Bottom Grid KBG-UN1-23
- Strainer ST-1
- Drain Cap STC-2
- Rolling Mat KRM-11BL
- Cutting Board KCB-WS101BB

KWU110-27

- Cut-Out Template
- Mounting Hardware
- Bottom Grid KBG-UN1-27
- Strainer ST-1
- Drain Cap STC-2
- Rolling Mat KRM-11BL
- Cutting Board KCB-WS103BB

KWU110-30

- Cut-Out Template
- Mounting Hardware
- Bottom Grid KBG-UN1-30
- Strainer ST-1
- Drain Cap STC-2
- Rolling Mat KRM-11BL
- Cutting Board KCB-WS103BB

KWU110-32

- Cut-Out Template
- Mounting Hardware
- Bottom Grid KBG-UN1-32
- Strainer ST-1
- Drain Cap STC-2
- Rolling Mat KRM-11BL
- Cutting Board KCB-WS103BB

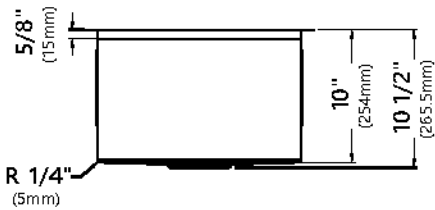
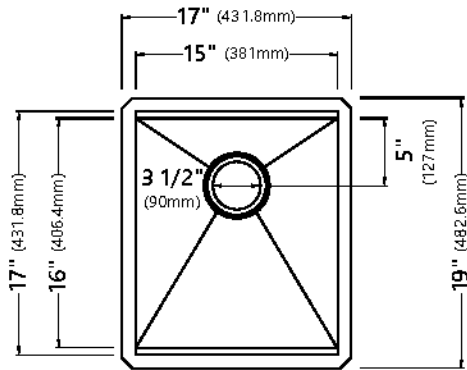
KWU112-33

- Cut-Out Template
- Mounting Hardware
- Bottom Grid KBG-WSU1-33
- Strainer ST-1
- Drain Cap STC-2
- Rolling Mat KRM-11BL
- Cutting Board KCB-WS103BB

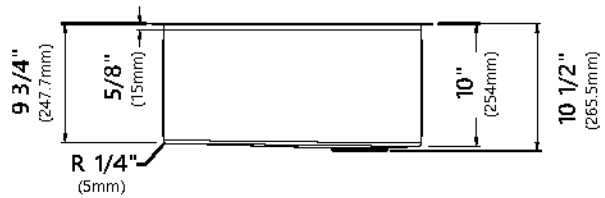
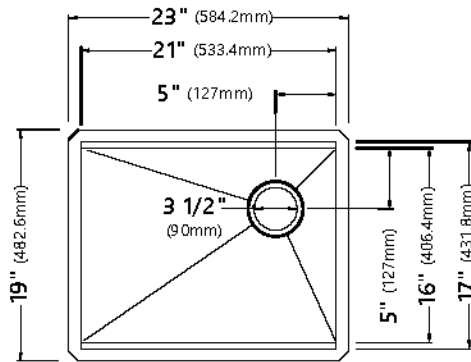
KWU120-45

- Cut-Out Template
- Mounting Hardware
- Bottom Grid KBG-UN1-23
- Bottom Grid KBG-WSU1-45
- Strainer ST-1
- Drain Cap STC-2
- Rolling Mat KRM-11BL
- Cutting Board KCB-WS104BB
- Dish Rack KDR-1
- Cutting Board, Colander and Bowl Set KAC-1005BB

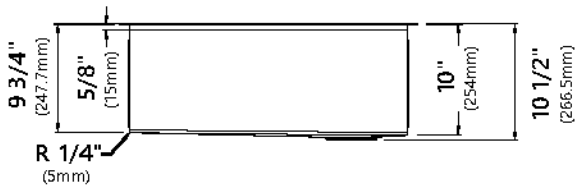
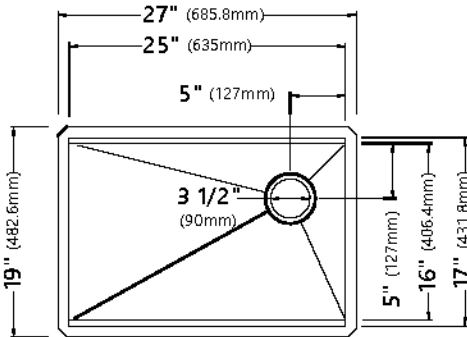
Dimensions



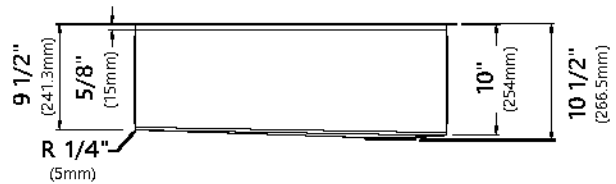
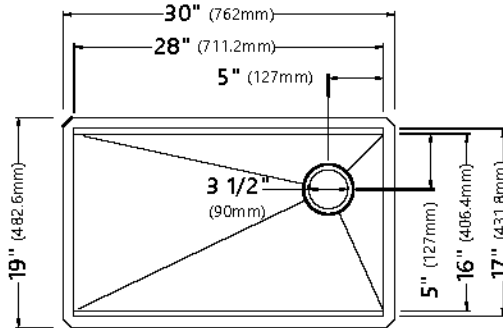
Model #: KWU111-17
Sink Dimensions: 17" x 19" x 10"
Min Cabinet Size: 21"



Model #: KWU111-23
Sink Dimensions: 23" x 19" x 10"
Min Cabinet Size: 27"

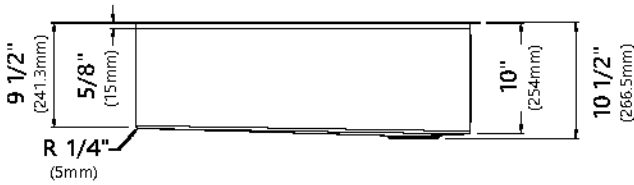
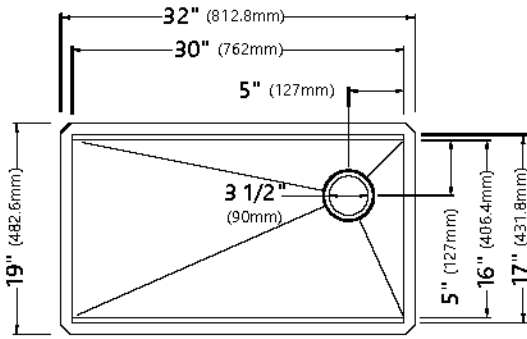


Model #: KWU110-27
Sink Dimensions: 27" x 19" x 10"
Min Cabinet Size: 30"

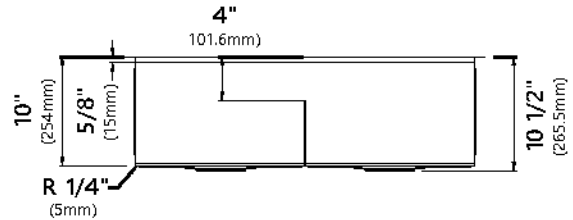
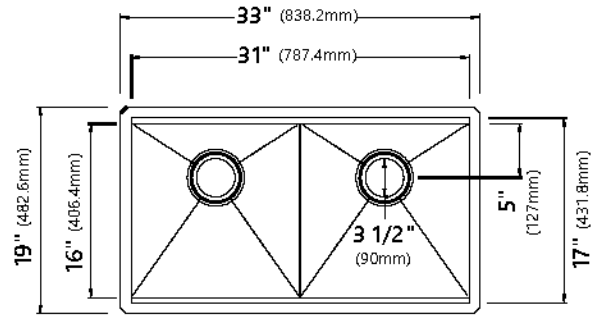


Model #: KWU110-30
Sink Dimensions: 30" x 19" x 10"
Min Cabinet Size: 33"

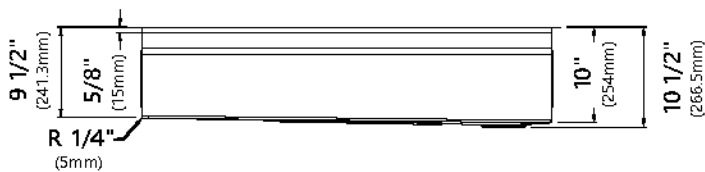
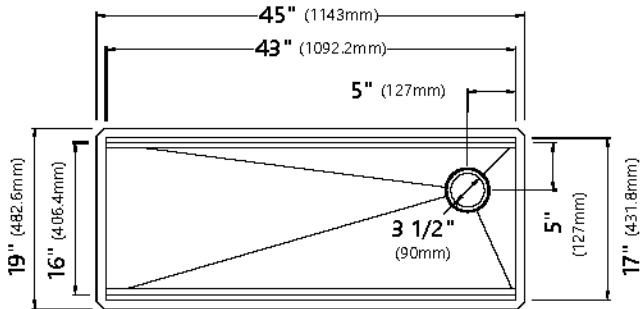
Dimensions



Model #: KWU110-32
Sink Dimensions: 32" x 19" x 10"
Min Cabinet Size: 36"



Model #: KWU112-33
Sink Dimensions: 33" x 19" x 10"
Min Cabinet Size: 36"

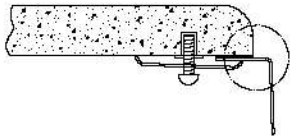


Model #: KWU120-45
Sink Dimensions: 45" x 19" x 10"
Min Cabinet Size: 48"

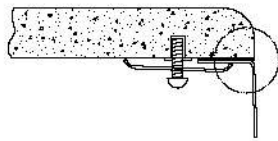
Step 1. Determine Reveal Type

- Use scissors to cut along the line of the paper template for your desired reveal type (Negative, Positive, or Flushed Reveal)

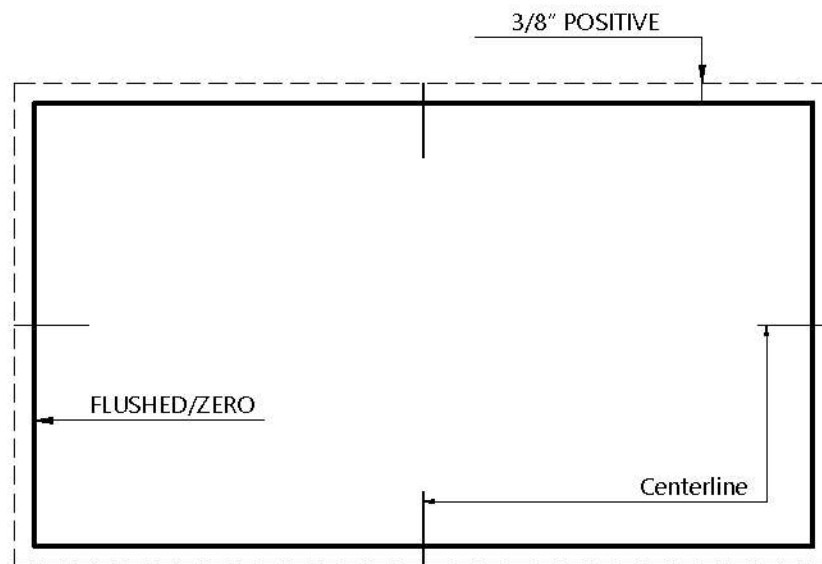
KRAUS Recommended Installation Type



3/8" Positive Reveal



Flushed/Zero Reveal



Step 2. Position Template

- Check the cut-out template against the actual sink to ensure a proper sized cut-out.
- Place the cut-out template in the desired location on the countertop.

NOTE: Make sure clearance is suitable for backsplash, faucet and plumbing for the sink.

