

KWT300-32

32 Inch Dual Mount Workstation Single Bowl Stainless Steel Kitchen Sink

Kräus®

SPECIFICATION SHEET

Sink Dimensions

Overall Dimensions: 31 1/4" x 20 1/2"

Bowl Dimensions: 28 1/2" x 13 7/8"

Sink Depth: 9"

Features

- 18 Gauge Stainless Steel Construction
- 3.5mm Thick Deck
- 3/8" Radius Vertical Corners
- 3/8" Radius Corners in the Bowl for Ease of Cleaning
- Pre-drilled Soap Dispenser Hole with Provided Cover
- Dual Mount Installation
- Single Bowl Sink
- Required Minimum Cabinet Size: 33" Left to Right, 24" Front to Back
- Rear Center-Set Drain
- 3 1/2" Drain Opening
- NoiseDefend Undercoating and Sound Dampening Pads

Accessories Included

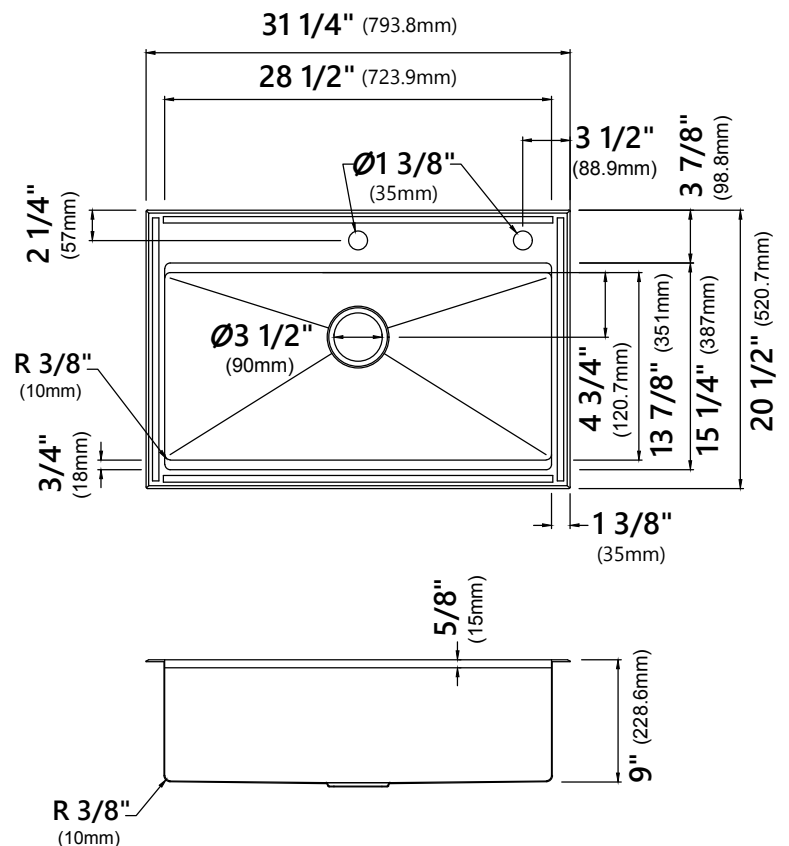
- Strainer ST-1
- Cover Cap STC-2
- Bottom Grid KBG-WST1-32
- Cutting Board KCB-WS105BB
- Colander CS-7
- Cut-Out Template
- Mounting Hardware
- Soap Dispenser Hole Cap

CODES/STANDARDS:

Product Certification

cUPC (ASME A112.19.3/CSA B45.4)

NOTE: Maximum countertop thickness for Top Mount installation is 1 1/2".



Warranty

Kraus Limited Lifetime Warranty