

Kräus[®]

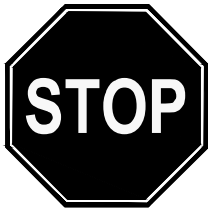
INSTALLATION MANUAL

Kore Workstation Stainless Steel Farmhouse Kitchen Sinks

KWF210-30, KWF210-33, KWF210-36
KWF410-30, KWF410-33, KWF410-36

Congratulations on the purchase of your new Kraus plumbing fixture!

Please keep the box and packaging materials until your product is completely installed. If you have any questions, require technical assistance or have any problems with your product:



DO NOT RETURN TO STORE

Please contact our Customer Service Team

Have the model number available and retain a copy of your receipt with purchase date for reference.





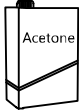

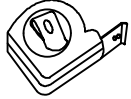
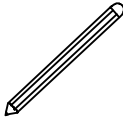
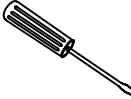
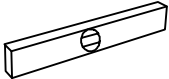
If for any reason this product does not meet your expectations, please be sure to repack this product in the original box and packaging material to avoid damage during transit.

Prior to Installation:

- Inspect the sink prior to installation to make sure the sink has not been damaged during shipping
- Use the cut-out template provided by Kraus
- Observe all plumbing and building codes according to your state requirement
- Additional floor and wall preparation may be required to avoid damaging the product
- Make sure to purchase the correct cabinet for your farmhouse sink. Farmhouse base cabinets should be 3" larger than the actual size of the sink
- Not recommended to be installed with laminate countertop

The step-by-step guidelines in the installation instructions are a general reference for installing a Kraus sink. Should there be any discrepancies, Kraus cannot be held liable. It is recommended to install all Kraus products by hiring a licensed professional.

Tools you will need:

				
Safety Goggles	Drill	Silicone Adhesive	Jig Saw	Acetone
				
Phillips Screwdriver	Tape Measure	Pencil	Screwdriver	Level

NOTE: Specialized tools may be necessary to install Kraus Stainless Steel Kitchen sinks with countertop materials other than wood, marble or granite.

Parts List

KWF210-30

- Cut-Out Template
- Mounting Hardware
- Bottom Grid KBG-UN1-30
- Strainer ST-1
- Drain Cap STC-2
- Rolling Mat KRM-11BL
- Cutting Board KCB-WS103BB

KWF410-30

- Cut-Out Template
- Mounting Hardware
- Bottom Grid KBG-UN1-30
- Strainer ST-1
- Drain Cap STC-2
- Rolling Mat KRM-11BL
- Cutting Board KCB-WS103BB

KWF210-33

- Cut-Out Template
- Mounting Hardware
- Bottom Grid KBG-UN1-33
- Strainer ST-1
- Drain Cap STC-2
- Rolling Mat KRM-11BL
- Cutting Board KCB-WS103BB

KWF410-33

- Cut-Out Template
- Mounting Hardware
- Bottom Grid KBG-UN1-33
- Strainer ST-1
- Drain Cap STC-2
- Rolling Mat KRM-11BL
- Cutting Board KCB-WS103BB

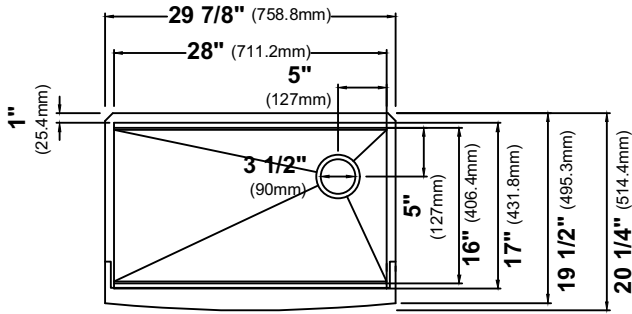
KWF210-36

- Cut-Out Template
- Mounting Hardware
- Bottom Grid KBG-UN1-36
- Strainer ST-1
- Drain Cap STC-2
- Rolling Mat KRM-11BL
- Cutting Board KCB-WS103BB

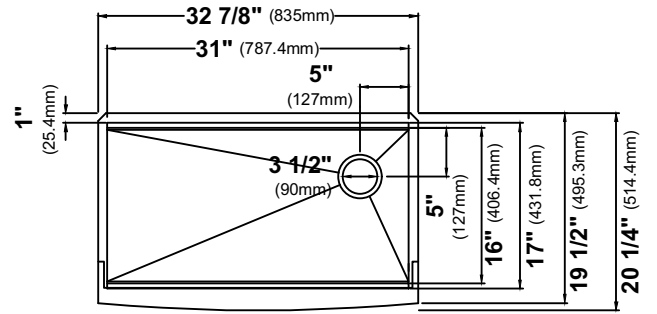
KWF410-36

- Cut-Out Template
- Mounting Hardware
- Bottom Grid KBG-UN1-36
- Strainer ST-1
- Drain Cap STC-2
- Rolling Mat KRM-11BL
- Cutting Board KCB-WS103BB

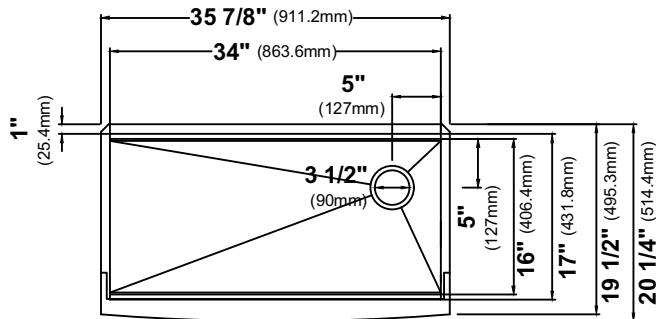
Dimensions:



Model #: KWF210-30
 Sink Dimensions: 29 7/8" x 20 1/4" x 10"
 Min Cabinet Size: 33"

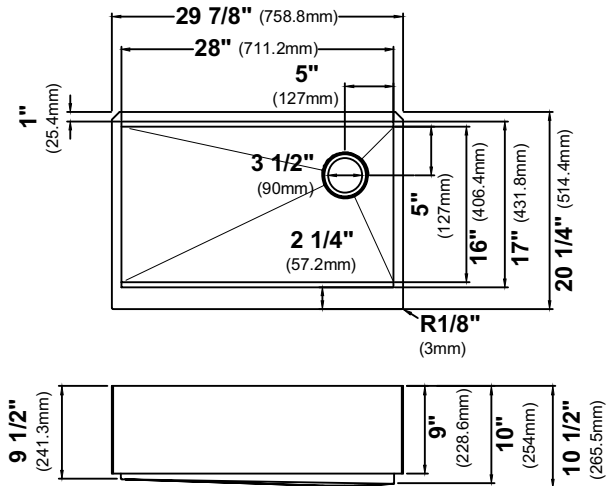


Model #: KWF210-33
 Sink Dimensions: 32 7/8" x 20 1/4" x 10"
 Min Cabinet Size: 36"

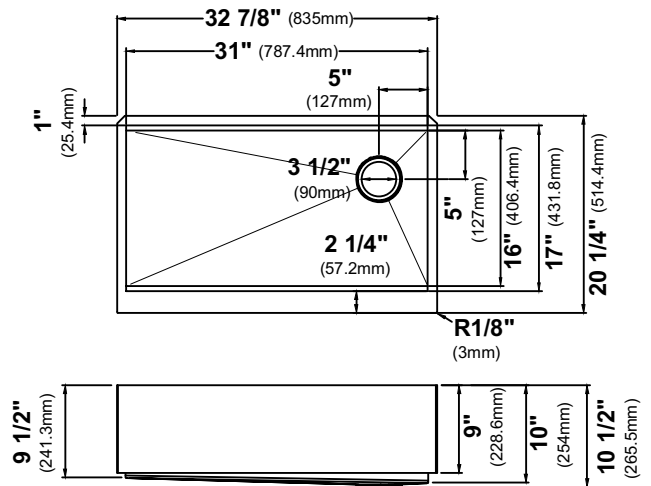


Model #: KWF210-36
 Sink Dimensions: 35 7/8" x 20 1/4" x 10"
 Min Cabinet Size: 39"

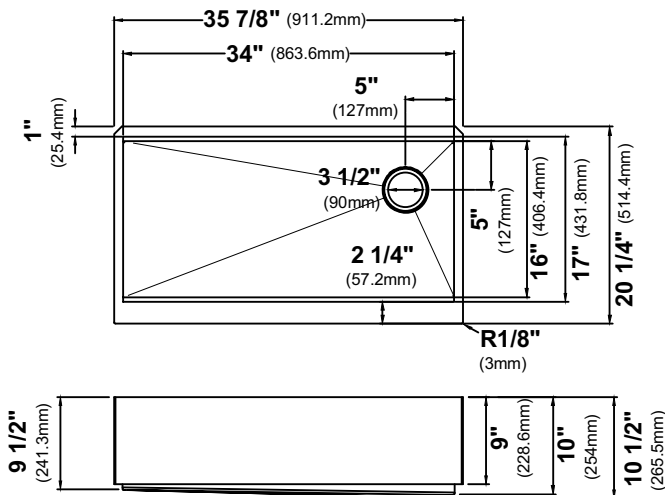
Dimensions:



Model #: KWF410-30
Sink Dimensions: 29 7/8" x 20 1/4" x 10"
Min Cabinet Size: 33"



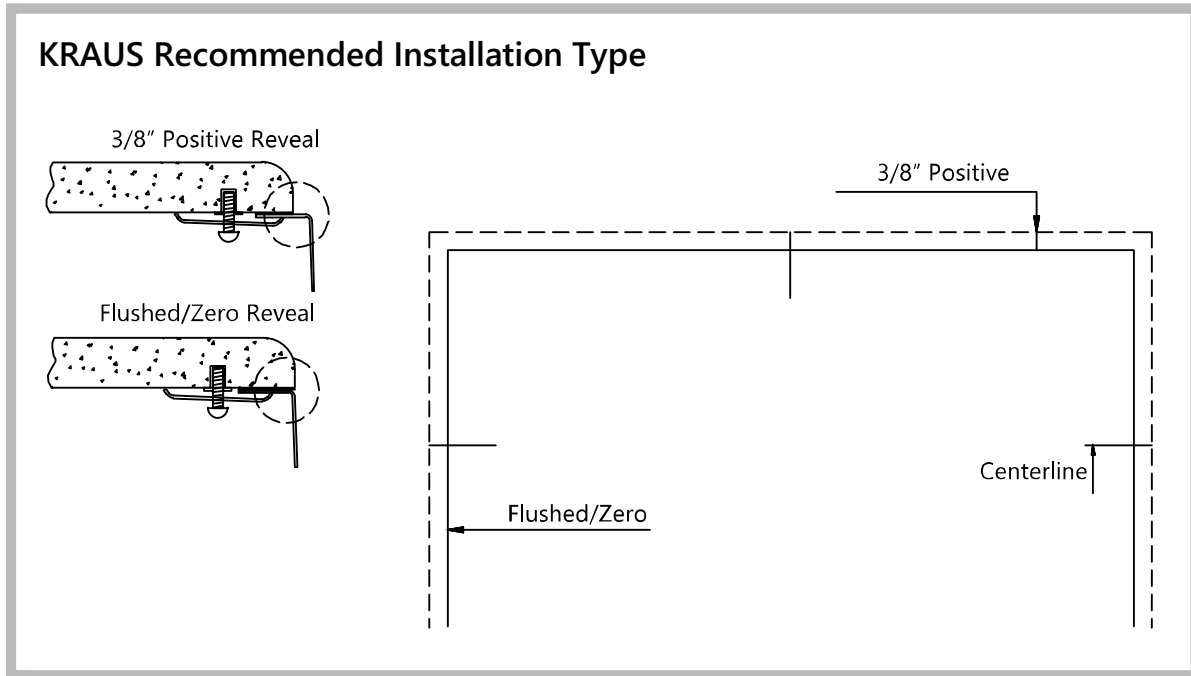
Model #: KWF410-33
Sink Dimensions: 32 7/8" x 20 1/4" x 10"
Min Cabinet Size: 36"



Model #: KWF410-36
Sink Dimensions: 35 7/8" x 20 1/4" x 10"
Min Cabinet Size: 39"

Step 1. Determine Reveal Type

- Use scissors to cut along the line of the paper template for your desired reveal type (Negative, Positive, or Flushed Reveal)



Step 2. Position Template

- Check the cut-out template against the actual sink to ensure a proper sized cut-out.
- Place the cut-out template in the desired location on the countertop.

NOTE: Make sure clearance is suitable for backsplash, faucet and plumbing for the sink.

