

Kräus®

INSTALLATION MANUAL

Britt™ Single Handle Commercial Kitchen Faucet

KPF-1690

Thank you for your purchase

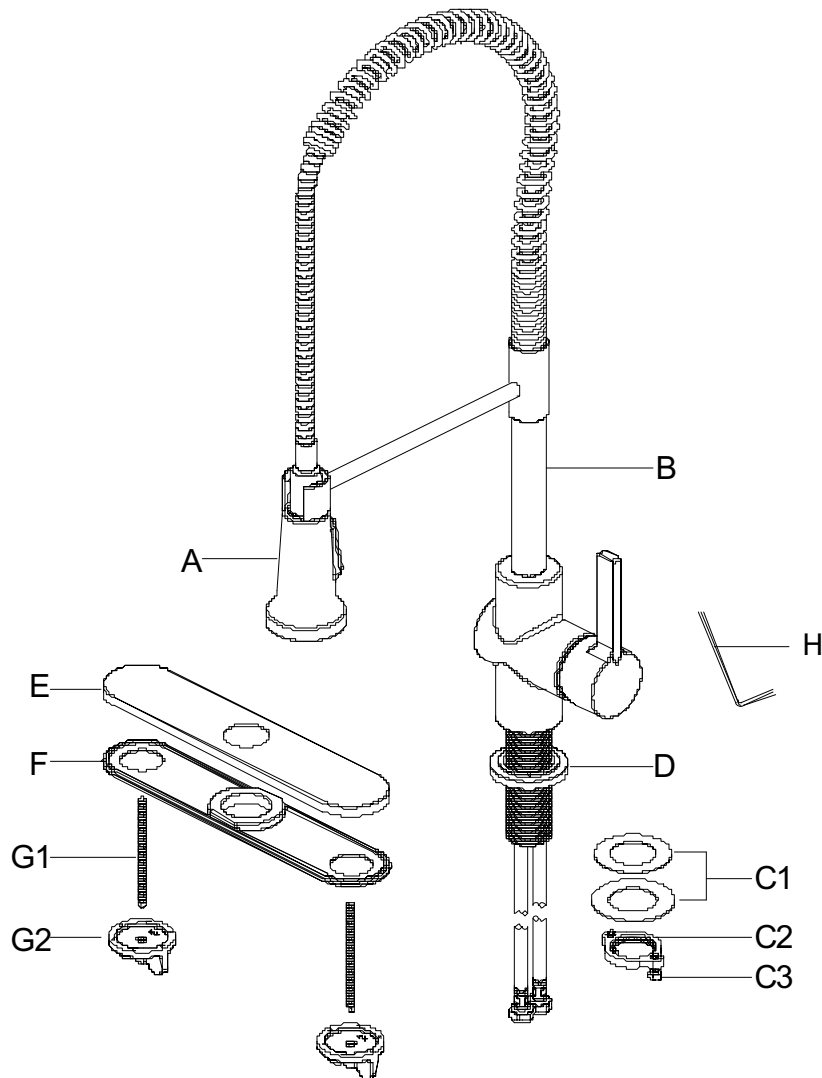
We would like to take this opportunity to thank you for choosing Kraus.

We hope that you are completely satisfied with your purchase, and enjoy it for years

Sincerely,

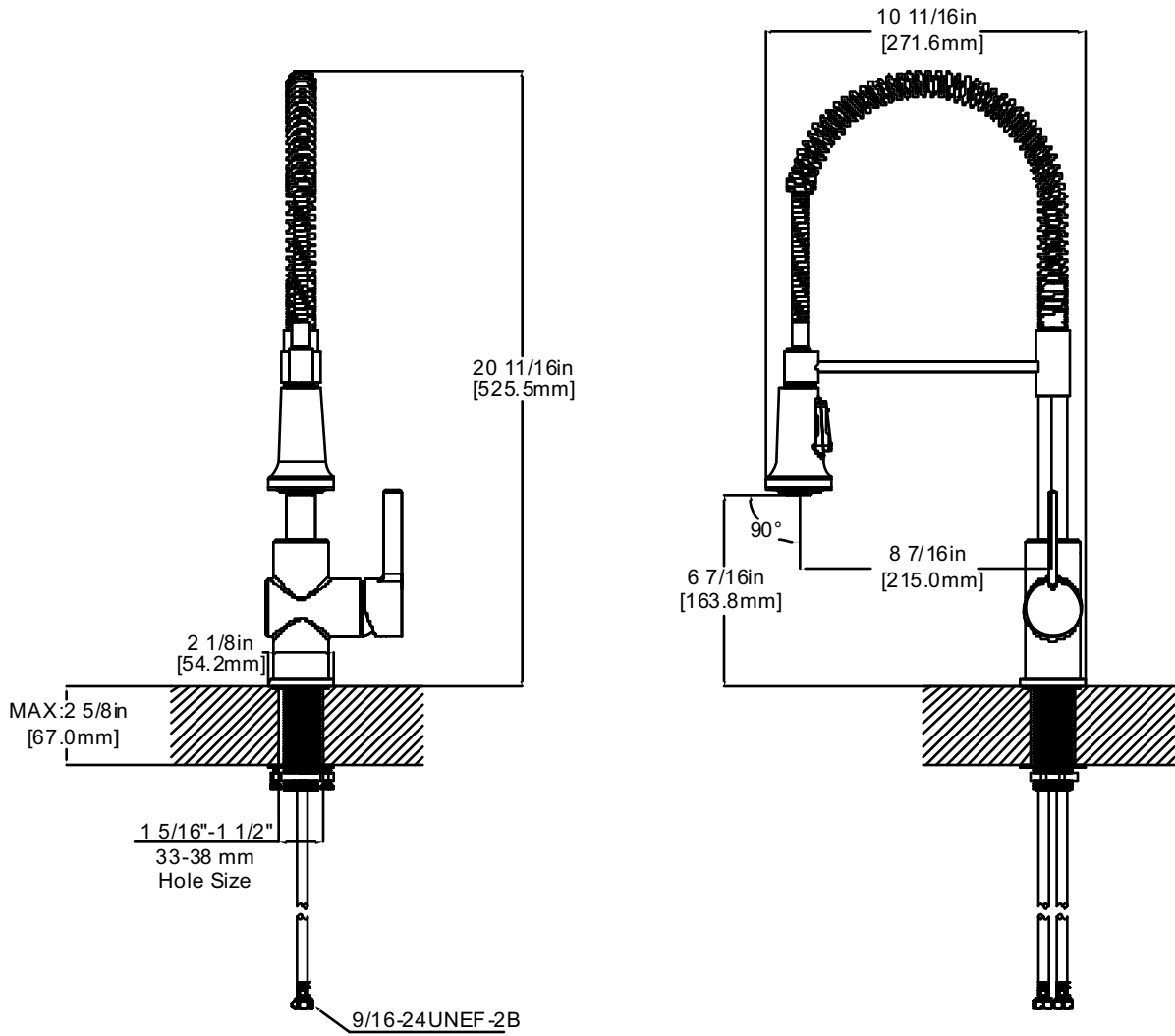
Kraus USA Customer Service

Diagram and Parts List

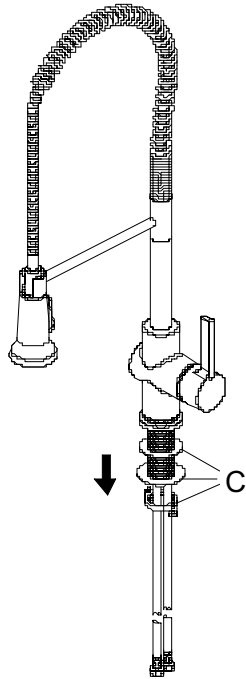


- A. Spray Head
- B. Faucet Body
- C. Mounting Hardware
 - C1. Plastic & Metal Washer
 - C2. Mounting Nut
 - C3. Mounting Screw
- D. Flange & Washer
- E. Escutcheon
- F. Base Plate
- G. Escutcheon Mounting Hardware
 - G1. Bolt
 - G2. Plastic Nut
- H. 2.5 mm Hex Wrench

Faucet Dimensions

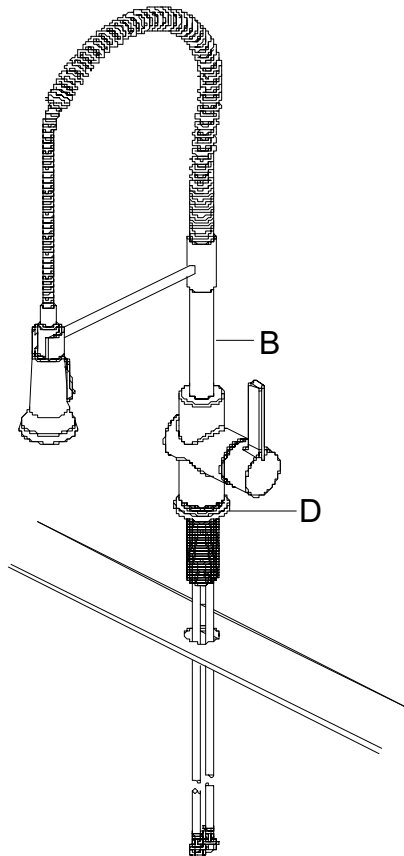


Step 1: Remove mounting hardware



Shut off the water supply.
Remove the old faucet. Clean the mounting surface. Remove mounting hardware (C) from faucet body (B)

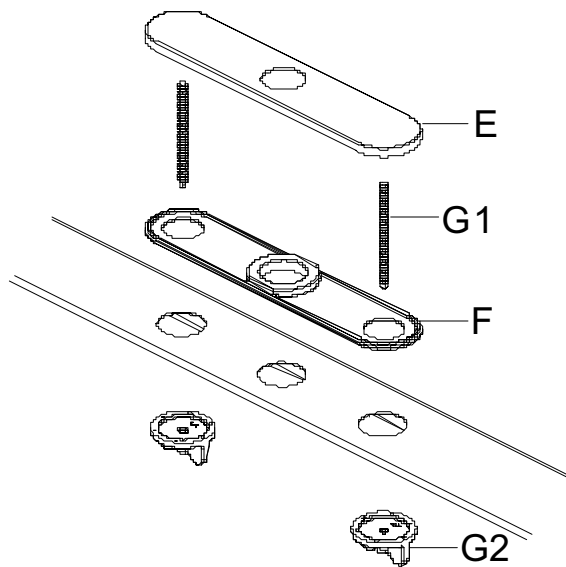
Step 2: Install the faucet assembly (without deckplate)



Before installation, ensure that the flange (D) is placed on the bottom of the new faucet assembly (B). Insert the faucet body through the hole in the sink.

NOTE: Skip this step and move on to Step 3 if installing with deckplate

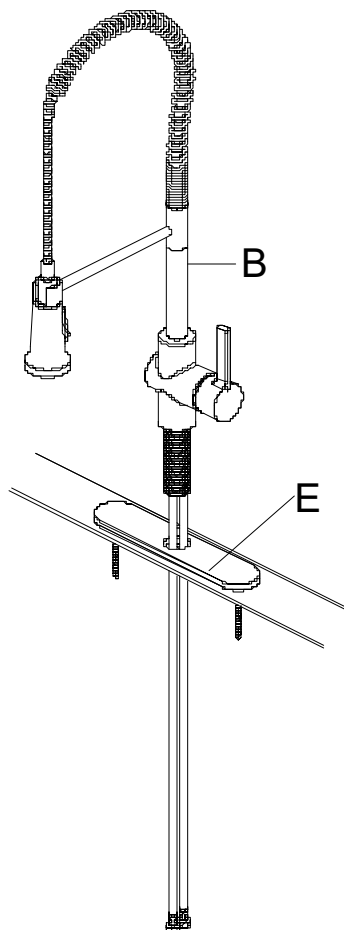
Step 3: Install the escutcheon



Before installation, remove the flange (D). Screw the bolts (G1) into the escutcheon (E) and ensure that the base plate (F) is pressed onto the escutcheon (E) before the escutcheon (E) is installed over the three holes in the sink. From underneath sink, hand tighten the mounting nuts (G2). Do not overtighten.

NOTE: Skip this step if installing without deckplate

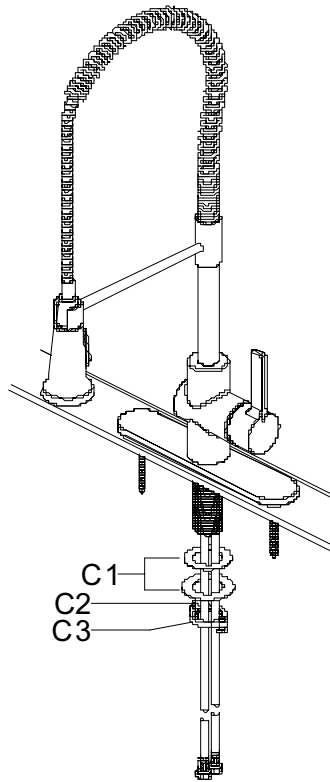
Step 4: Install the faucet assembly (with deckplate)



Insert the faucet assembly (B) through the hole in the escutcheon (E).

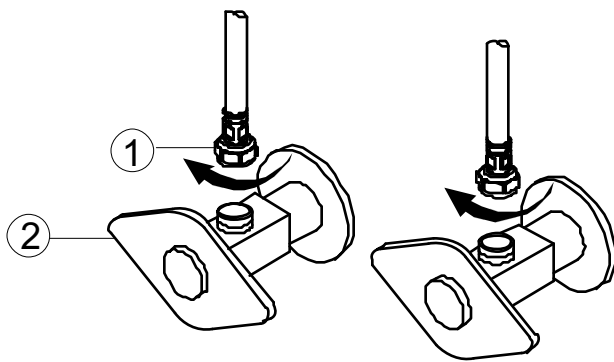
NOTE: Skip this step if installing without deckplate

Step 5: Secure the faucet assembly



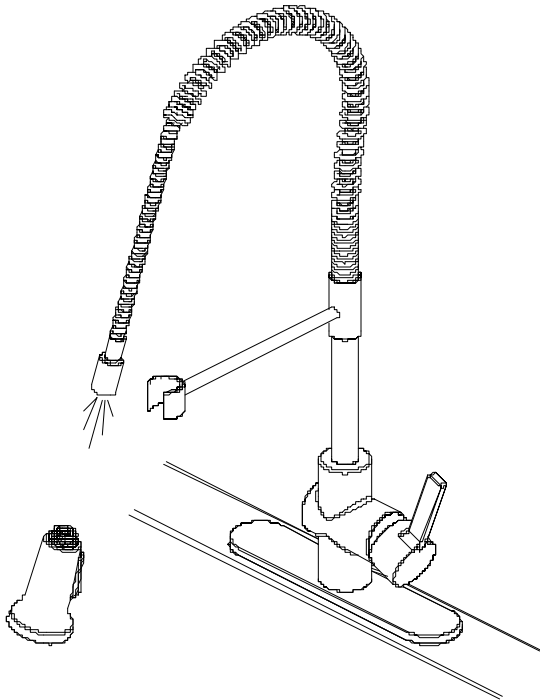
Install the plastic washer and metal washer (C1) onto the threaded mounting shank. Thread the nut (C2) onto the mounting shank. Lock the nut (C2) into position by tightening the screws (C3). Do not overtighten

Step 6: Connect the waterlines



Thread the nut (1) on the supply line onto the outlet of the water supply valve (2) and tighten with wrench. Do not overtighten

Step 7: Flush and check for leaks



Pull hose assembly out of spout and remove spray head by unscrewing from hose in a counterclockwise direction. Hold the end of the hose down into the sink and turn the faucet on to the warm position. Flush water lines for one minute to flush away any debris. Check for leaks.

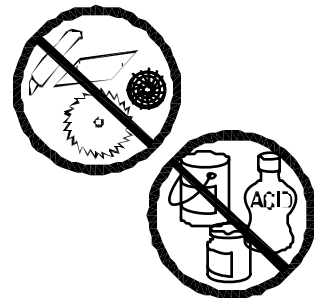
Re-tighten any connections if needed. Do not overtighten. Reinstall spray head by hand tightening it back onto the spray hose. After installation is completed, turn on the hot and cold water supplies to check for leaks

Care & Maintenance

*To keep the product clean & shining, follow the steps below:

1. Rinse with clean water & dry with a soft cloth
2. Do not clean with soaps, acid, polish, abrasives, or harsh cleaners
3. Do not use cloth with a coarse surface
4. Unscrew the aerator and clean when necessary

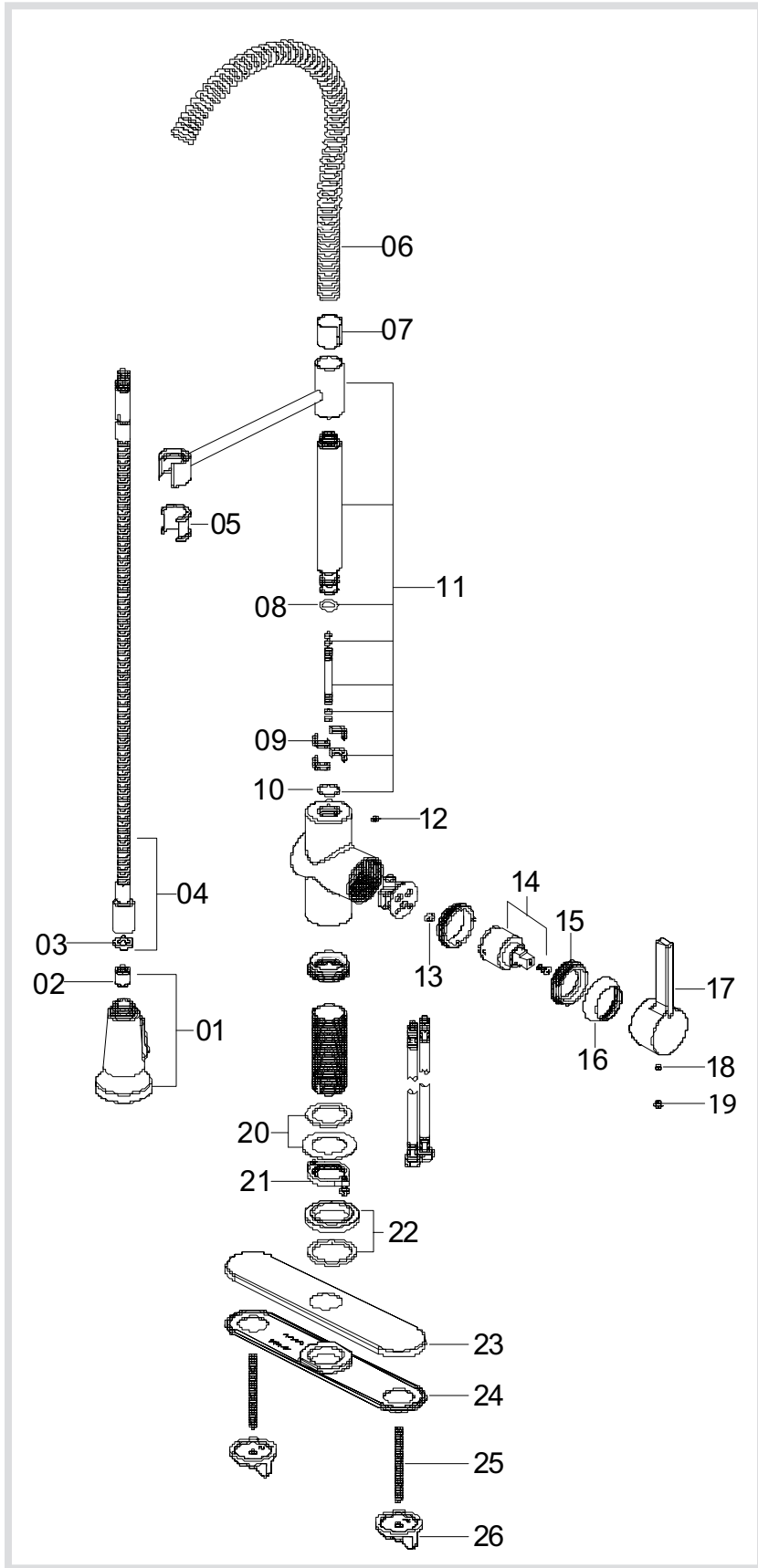
*This installation manual is subject to change without further notice.



Download the Kraus Care & Maintenance Guide at:

<http://www.kraususa.com/maintenance>

Replacement Parts



1. Spray Head
2. Check Valve
3. Washer
4. S.S Hose
5. Inverter
6. Spring
7. Washer
8. O-ring
9. Block
10. Washer
11. Spray Support & Shank Assemble
12. Set Screw
13. Flow Regulator
14. Cartridge & Screw
15. Bonnet Nut
16. Cap
17. Handle
18. Set Screw
19. Handle Button
20. Plastic Washer & Metal Washer
21. Nut & Screw
22. Flange
23. Escutcheon
24. Base Plate
25. Bolt
26. Nut

Trouble - Shooting

If you have followed the instructions carefully and your faucet still does not work properly, take the following corrective steps:

PROBLEM	CAUSE	ACTION
Leakage under the handle	The bonnet nut (15) has come loose and the ring on the cartridge is dirty or damaged	Tighten the bonnet nut. Clean or replace the cartridge
Leaking between spray head and hose	Spray head (1) may be loose or washer (3) may not be seated correctly in the hose connection	Tighten spray head (A) by hand until snug. Make sure washer (3) is seated correctly
The water pressure is low	Flow regulator (13) may be clogged with debris	Loosen set screw(18) with hex wrench. Remove handle and unscrew the cap (16) by hand. Unscrew the bonnet nut with an adjustable wrench. Remove the cartridge (14,15). Clean the flow regulator

