

# KP1TS25S-1

Pax™ Zero-Radius 25" Drop-In / Topmount  
Single Bowl 16 Gauge Stainless Steel Kitchen Sink  
Satin Finish

### Stainless Steel

Thickness 16 Gauge

### Bowl Configuration

Single Bowl

### Installation Type

Topmount

### Recommended Minimum Cabinet Size

24" Front to Back

27" Left to Right

### Bowl Dimensions

Front to Back: 18"

Left to Right: 23"

Depth: 9"

### Rim Dimensions

Front to Back: 22"

Left to Right: 25"

### Drain Size

3 1/2" (89mm)

### Drain Location

Rear Center

### Recommended Dish Grid

22.4" Stainless Steel Kitchen Sink Grid

Model No: KBG-P2318

### Included with Product

NoiseDefend Undercoating

NoiseDefend Sound Dampening Pads

Strainer ST-1

Cover Cap STC-2

Grid Model No. KBG-P2318

Installation Template

Silicone Mitt KSM-1BLACK

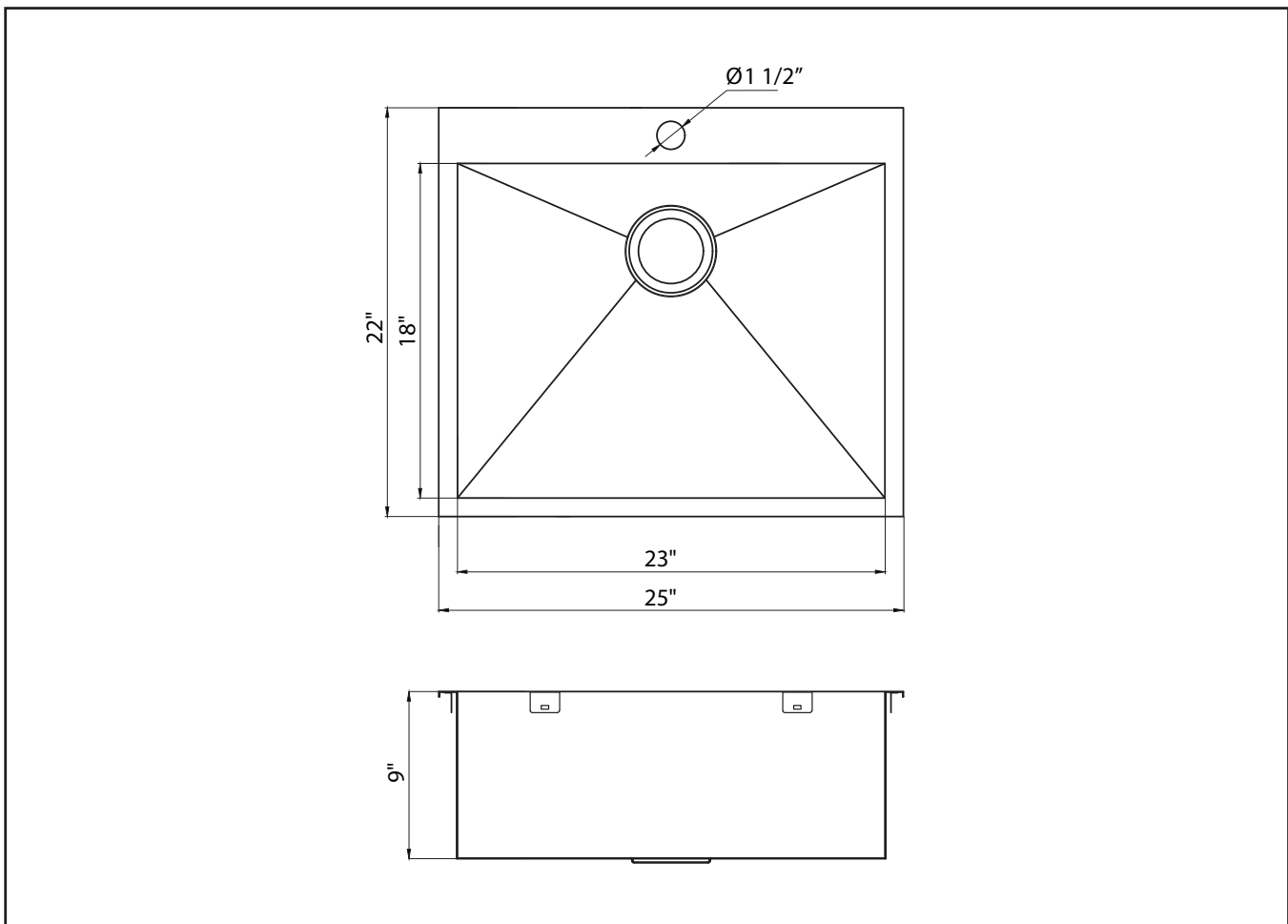
Silicone Trivet KST-1BLACK

### Warranty

Kraus Lifetime Limited Warranty

### Product Certification

cUPC (ASME A112.19.3/CSA B45.4)



REV. September 5, 2017