

Pax™ Zero Radius Series / KHU24L

Handmade Undermount Single Laundry & Utility Sink

Satin Finish

Material

18 Gauge Stainless Steel

Minimum Cabinet Size

Undermount : 27"

Installation Type

Undermount

Dimensions

Sink Dimensions: 24" x 18 1/2" x 12"

Bowl Type

Single Bowl Laundry Sink
Handmade

Accessories Included

ST-3, Mounting Hardware, Template, Towel

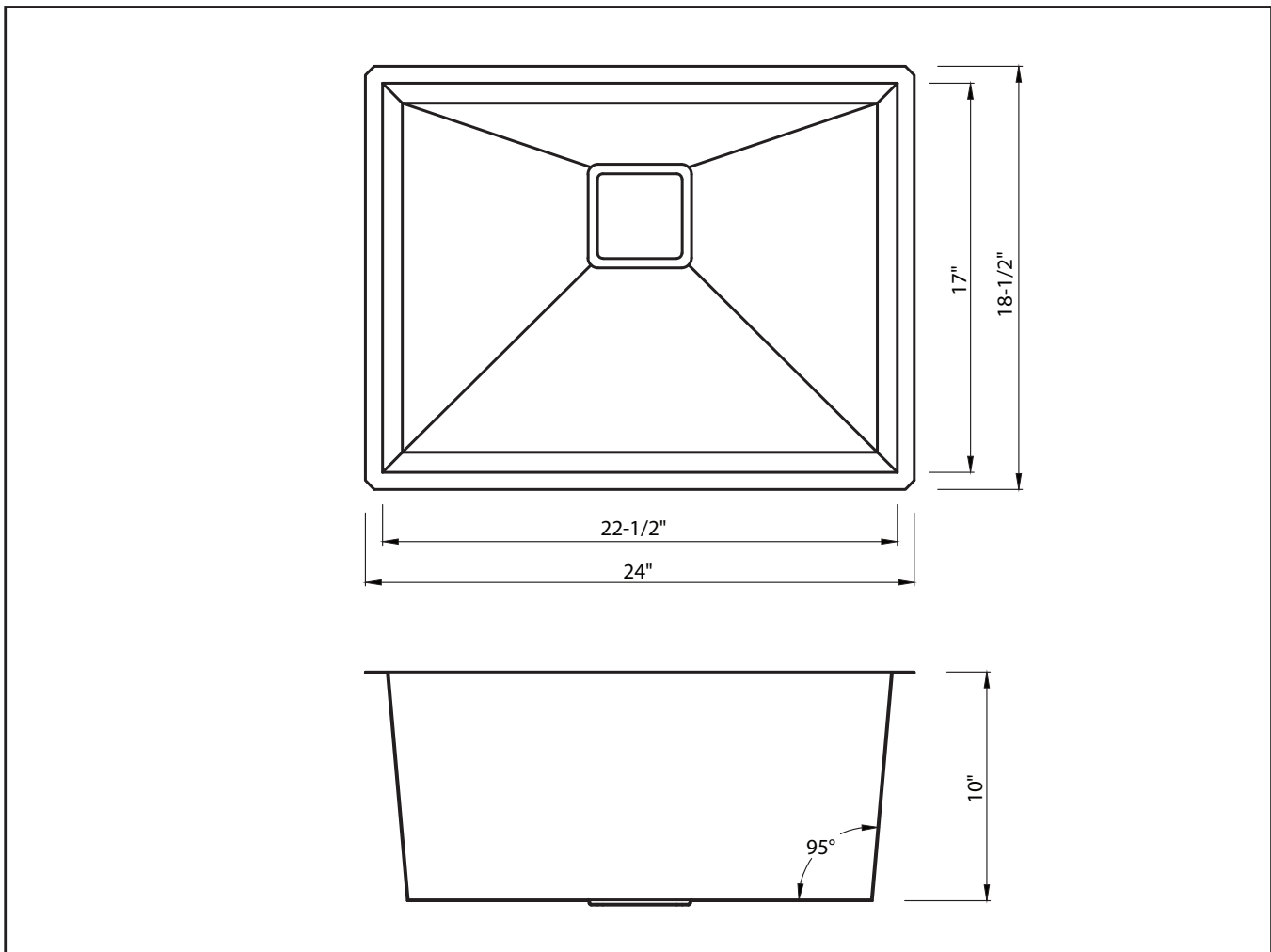
Technology

Noise Defend
EZ Stack

Optional Accessories

Garbage Disposal Adapter: GDA-1

Kraus Limited Lifetime Warranty:



Codes/Standards: Meets ASME A112.19.3/CSA B45.4

REV. August 16, 2016