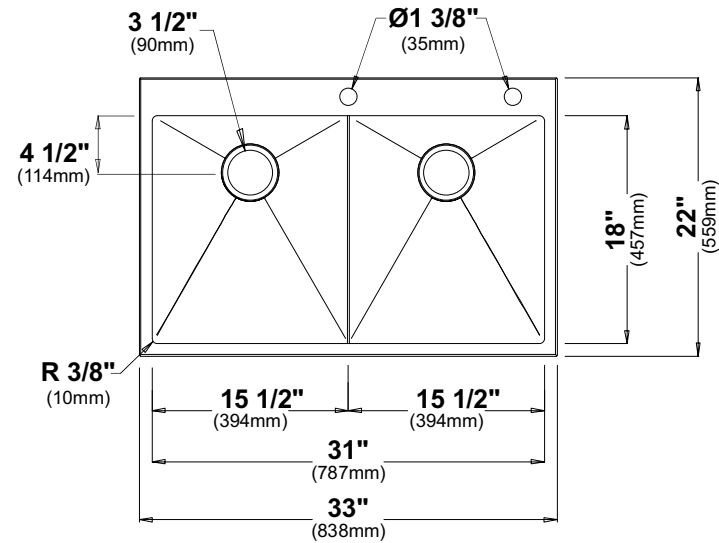




**Model No.
KHT302-33**

Undermount Cut-out
Pro Hotline: 516.801.8955
Customer Service: 800.755.0703

NOTE: Cutout template is provided as a guide **ONLY** and must be checked against actual sink to verify correct fit.



Please cut along inner solid line for negative reveal 1/8" →

Please tear perforated edge for zero / flushed reveal →

Please use outer edge for positive reveal 3/8" →