

**Kräus<sup>®</sup>**

INSTALLATION MANUAL

**Forteza<sup>™</sup> Series**  
**Granite Kitchen Sink**

## **Thank you for your purchase**

We would like to take this opportunity to thank you for choosing Kraus.

We hope that you are completely satisfied with your purchase, and enjoy it for years

### **Please note:**

- **KGUs can be installed undermount only (Option B)**
- **KGDs can be installed topmount & undermount (Options A & B)**

### **Prior to Installation:**

- Make sure that you have all necessary parts by checking the parts list. If any part is missing or damaged, please contact [Customer Service](#)
- Inspect the sink prior to installation to make sure that it has not been damaged during shipping
- Use the cut-out template provided by Kraus
- Observe all plumbing and building codes according to your state requirements

The step-by-step guidelines in the installation instructions are a general reference for installing a Kraus sink. Should there be any discrepancies, Kraus cannot be held liable. It is recommended to install all Kraus products by hiring a licensed professional.

## Tools and Required Materials

---



**NOTE:** Specialized tools may be necessary to install Kraus granite sinks with countertop materials other than wood, marble, or granite

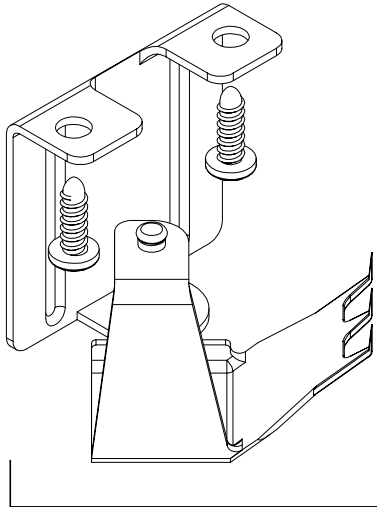
## Parts List

---

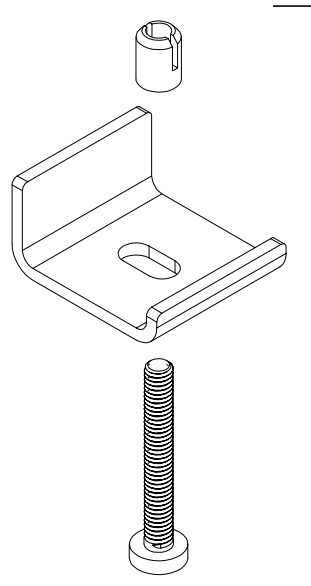
- Cut-Out Template
- Mounting Hardware
- Drain

## Hardware (Included)

---



Kit for Drop-In  
Installation

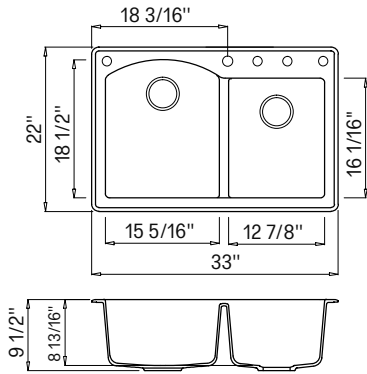


Kit for Undermount  
Installation

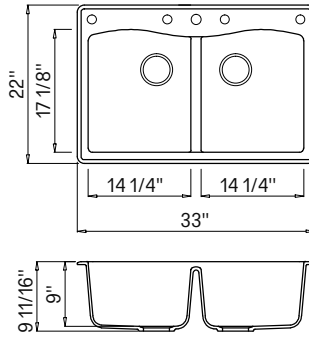
### Important

- Instructions may vary depending on countertop material. Read all instructions carefully, and ensure that counters are compatible with sink installation before proceeding
- Follow the plumber's code and builder's code effective in your area
- Shut off water valves prior to installation
- Open sink packaging and verify that the sink is in perfect condition. Put sink back into packaging to protect it until time of installation
- To replace an existing sink, make sure that the cut-out hole in the counter is of an adequate size to fit the new sink

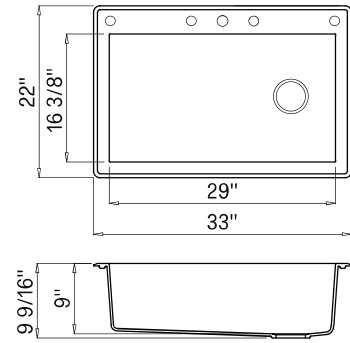
## Dimensions



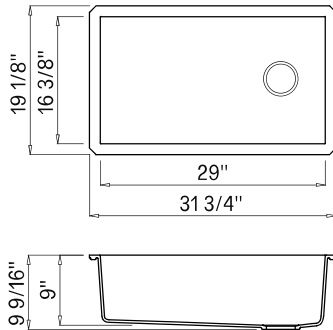
**KGD-50**  
33" X 22" X 9 1/2"  
Min Cabinet Size: 36"  
Drain Model #: ST-2 x (2)



**KGD-52**  
33" X 22" X 9 3/4"  
Min Cabinet Size: 36"  
Drain Model #: ST-2 x (2)



**KGD-54**  
33" x 22" x 9 5/8"  
Min Cabinet Size: 36"  
Drain Model #: ST-1G



**KGU-55**  
31 3/4" x 19 1/8" x 9 1/2"  
Min Cabinet Size: 36"  
Drain Model #: ST-1G

## Option A: DROP-IN INSTALLATION

### 1. Trace Opening

---

- Locate the drop-in template in the box
- Cut carefully along the dotted lines. Keep the inside portion of the template. It contains important information concerning care and maintenance for your new sink
- Place the template on the counter, in the location where you will be installing the sink. When placing the template, note the location of cabinet doors and panels to ensure that they are compatible with sink installation. Make sure that there is enough space for water supply installation. Identify the location of the faucet and soap dispenser
- Fix the template to the counter using masking tape
- Trace the inside of the template with a pencil. Remove the template from the countertop

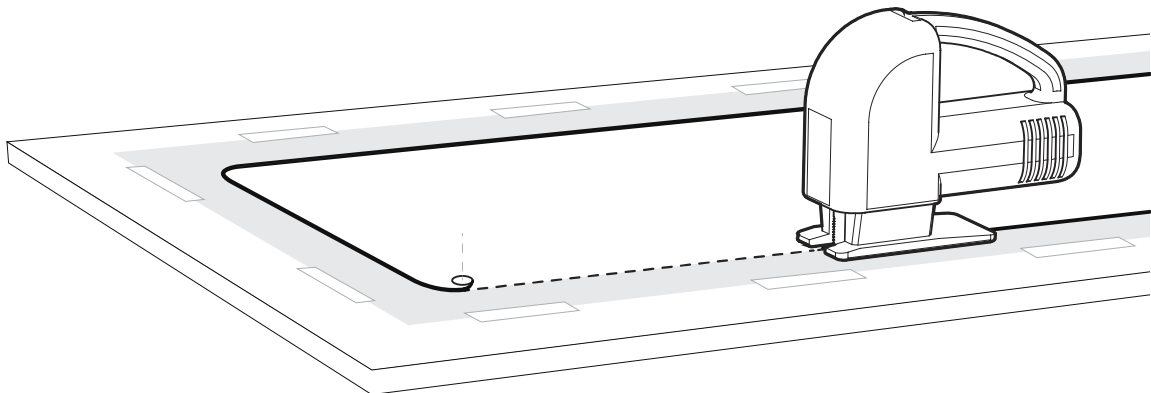
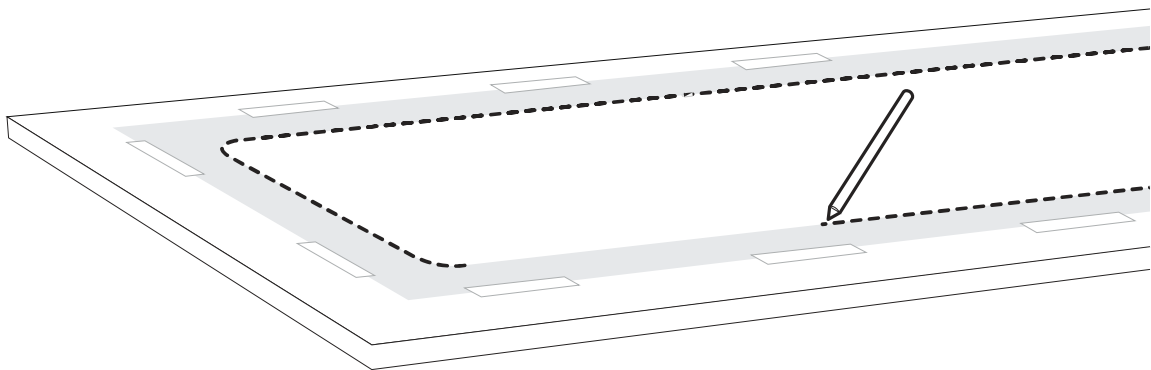
OR

- Turn the sink upside down and place it on top of the counter. Note the location of cabinet doors and panels to ensure that they are compatible with sink installation. Make sure that there is enough space for water supply installation. Identify the location of the faucet and soap dispenser
- Trace the outer edge of the sink with a pencil, then remove the sink
- Measure 7mm from the initial sink measurement and trace another line on the inside of the drawing. This second line will be the cutting line

## 2. Cut Opening

---

- Using the drill, make a small starting hole of about ½" on the inside of the cutting line
- Drill a second time in the same hole with a larger bit to enlarge the hole so that the jigsaw can be inserted properly
- Put masking tape on the outer side of the cutting line. This will protect the counter from scratches and shattered fragments caused by the jigsaw
- Using the jigsaw, trim the inside of the cutting line
- Insert the sink and adjust the opening if necessary



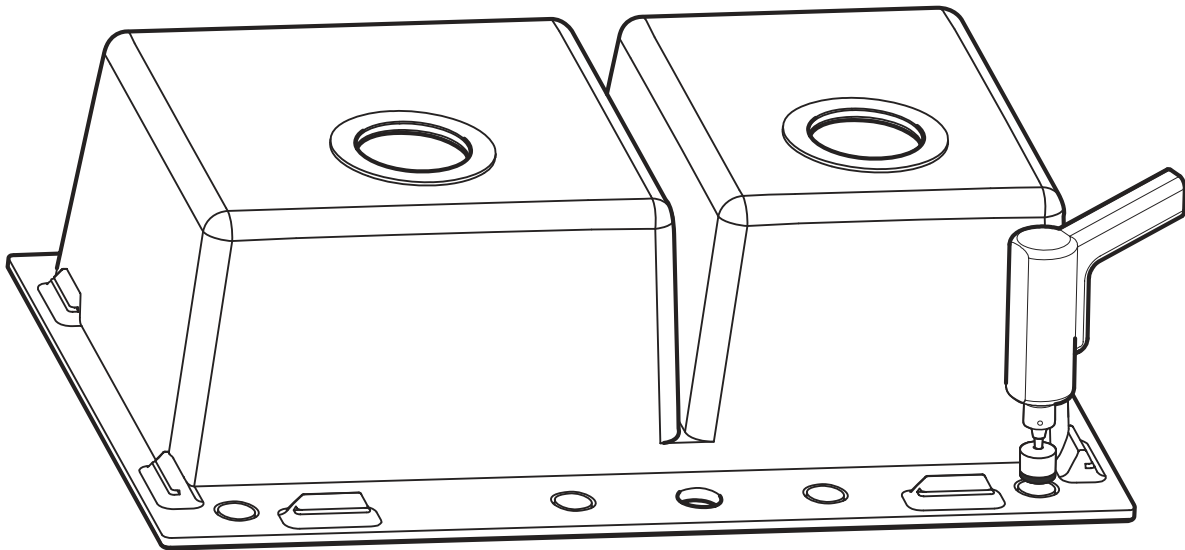


### 3. Add Additional Faucet Hole (Optional)

---

- Determine the location of the faucet
- Place the sink upside down on a suitable flat surface
- Using the 32mm (1 ¼") diamond hole saw at high power (1500tr. per min), break through in the desired location

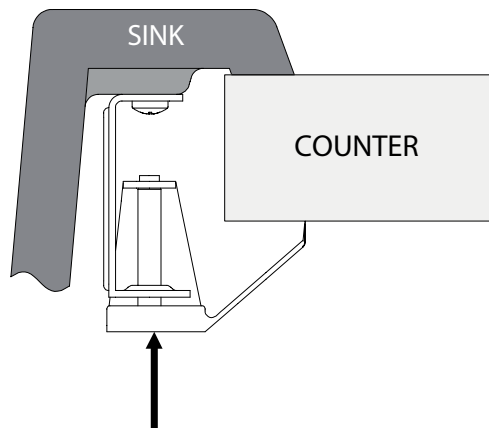
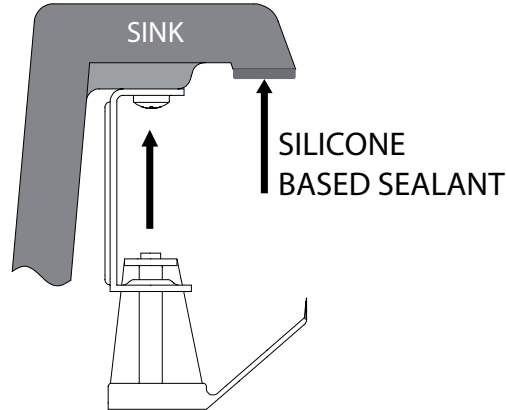
**CAUTION:** This procedure will cause the metal saw to become very hot. Please handle with care



## 4. Install Sink

---

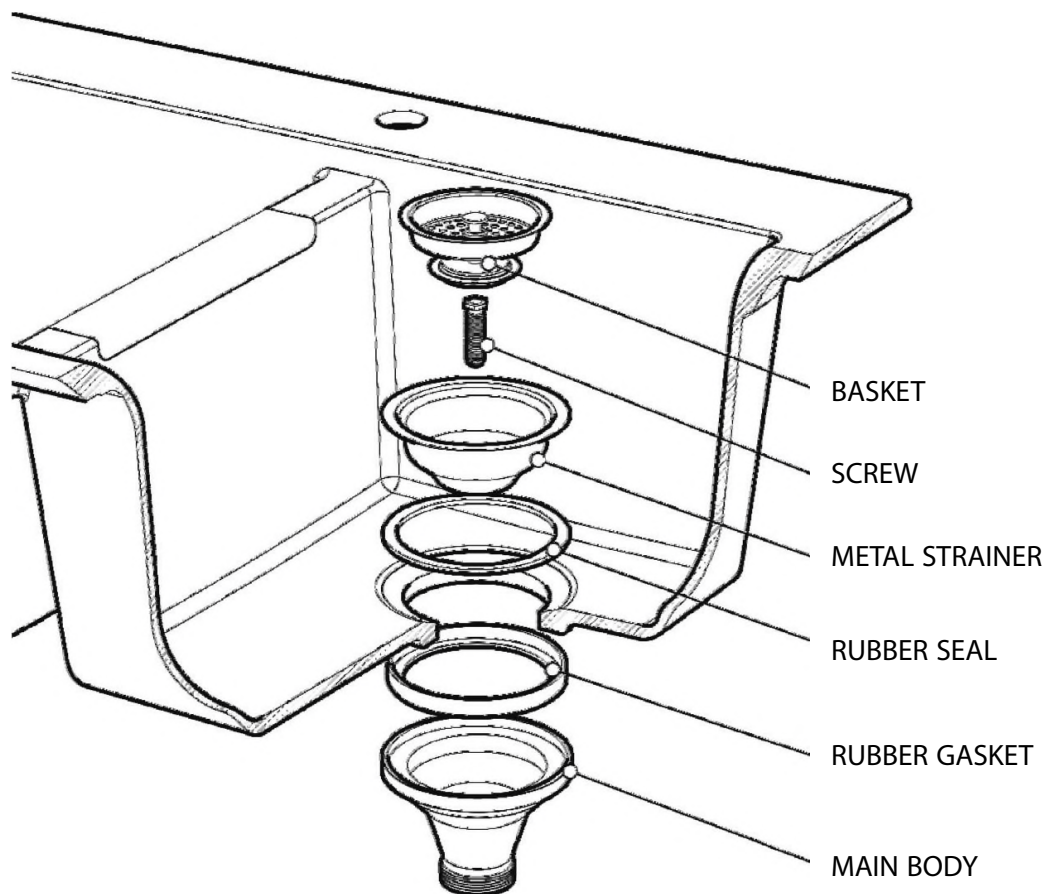
- Clean and dry the surface around the opening of the sink
- Verify that the sink fits correctly in the opening. The edge of the sink must sit on the counter
- Turn the unit upside down to apply sealant. Apply silicone-based sealant (not included) underneath the edge of the sink
- Ensure that the plastic flap holding the screw underneath the sink is partially opened, as shown
- Insert the sink into the opening
- Fix the sink to the counter by swiveling the mounting brackets, as shown
- Tighten the screws in the front of the sink, followed by the ones in the back and on the sides of the sink
- Remove excess silicone-based sealant



## 5. Install Drain

---

- Insert the metal strainer into the rubber seal, and then into the drain hole
- Insert the rubber gasket and the main drain body underneath the sink
- Using the screw, tighten the main drain body and the metal strainer into place
- Insert the basket on top of the drain installation



## 6. Install Pipes

---

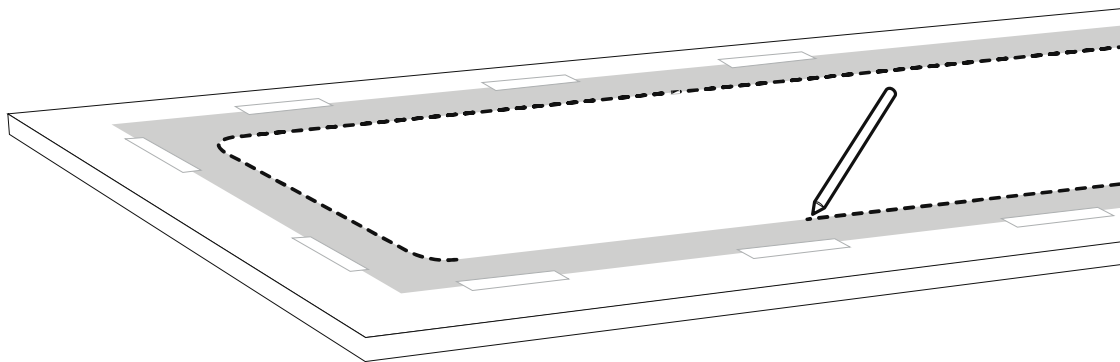
- Install the faucet following the manufacturer's instructions
- Make proper water and waste pipe connections

## Option B - UNDERMOUNT INSTALLATION

### 1. Trace Opening

---

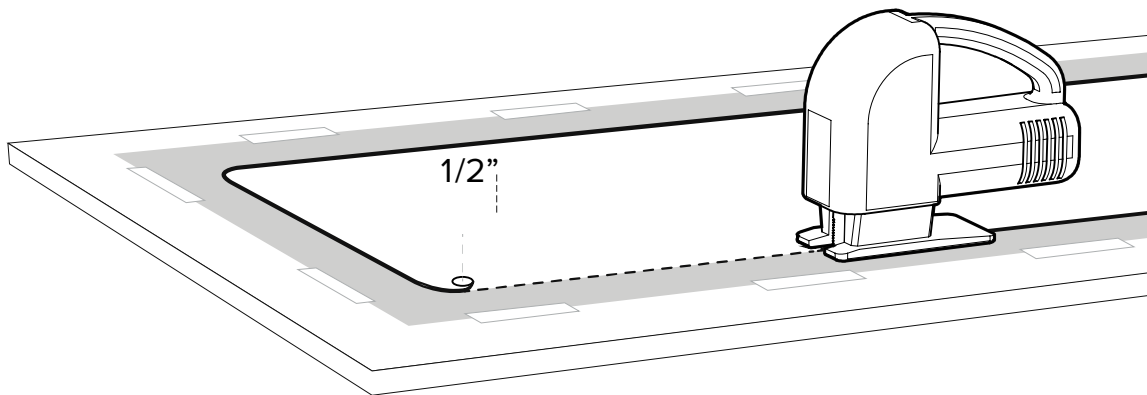
- Locate the undermount template in the box
- Cut carefully along the dotted lines. Keep the inside portion of the template. It contains important information concerning care and maintenance for your new sink
- Place the template on the counter, in the location where you will be installing the sink. When placing the template, note the location of cabinet doors and panels to ensure that they are compatible with sink installation. Make sure that there is enough space for water supply installation. Identify the location of the faucet and soap dispenser
- Fix the template to the counter using masking tape
- Trace the inside of the template with a pencil. Remove the template from the countertop



## 2. Cut Opening

---

- Using the drill, make a small starting hole of about 1/2" on the inside of the cutting line
- Drill a second time in the same hole with a larger bit to enlarge the hole so that the jigsaw can be inserted properly
- Put masking tape on the outer side of the cutting line. This will protect the counter from scratches and shattered fragments caused by the jigsaw
- Using the jigsaw, trim the inside of the cutting line

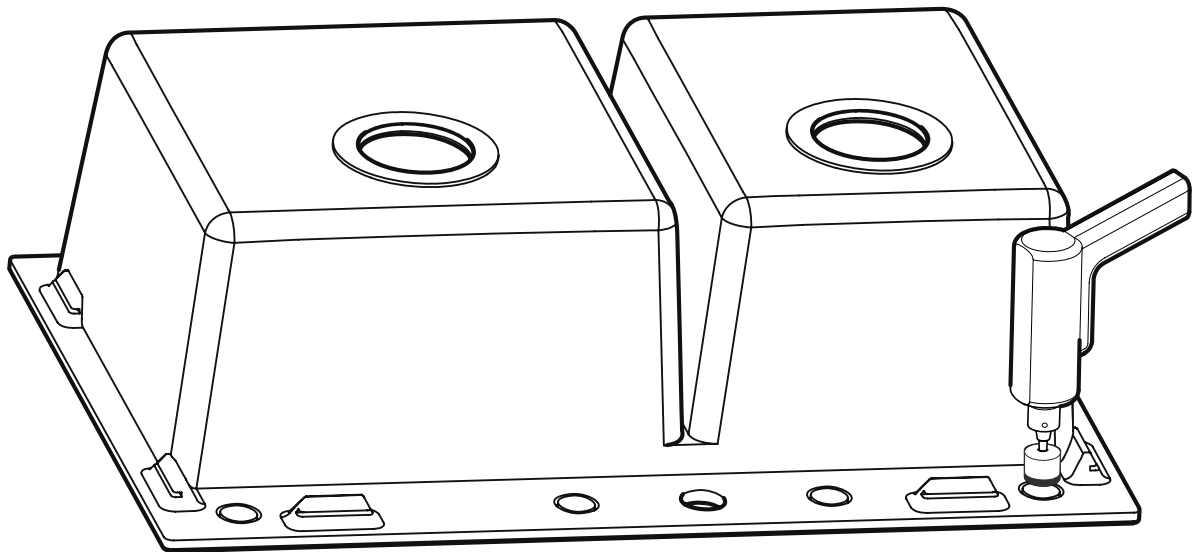


### 3. Add Additional Faucet Hole (Optional)

---

- Determine the location of the faucet
- Place the sink upside down on a suitable flat surface
- Using the 32mm (1 ¼") diamond hole saw at high power (1500tr. per min), break through in the desired location

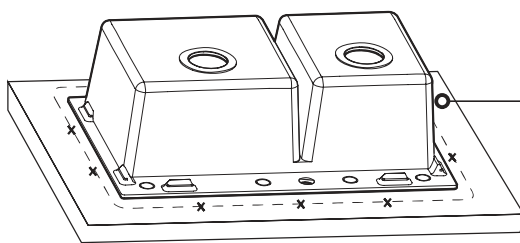
**CAUTION:** This procedure will cause the metal saw to become very hot. Please handle with care



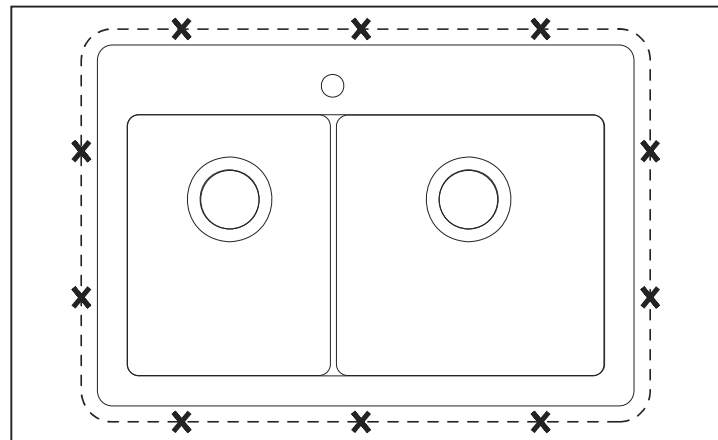
## 4. Install Sink

---

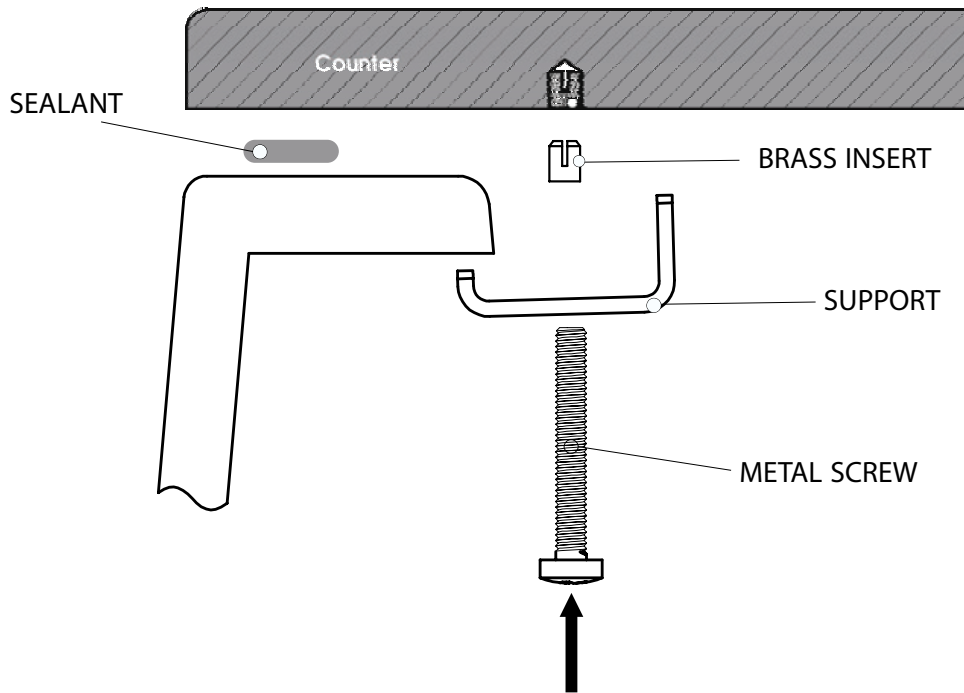
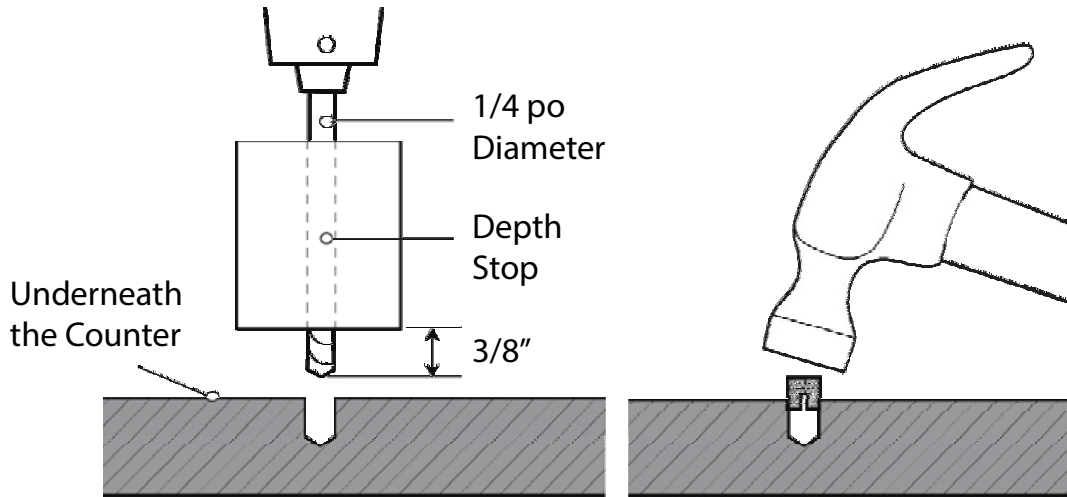
- Turn the sink upside down. Align the sink with the cutting line on the counter
- Using a pencil, mark 10 spots around the frame at a distance of about 1" (25.4mm) from the edge of the sink
- For a solid installation, it is recommended that all 10 mounting clips are used
- Drill  $\frac{1}{4}$ " fixation holes at a depth of  $\frac{3}{8}$ " in the indicated location
- Insert the brass inserts by tapping them into the holes, split end first
- Thoroughly clean the top portion of the sink edge. Clean underneath the counter and around the cutting line using denatured alcohol
- Apply a small quantity of silicone-based sealant (not included) around the cutting line,  $\frac{1}{8}$ " away from the edge of the counter.
- Align the sink and fix the mounting clips as shown. Firmly tighten the screw into the brass insert
- Once the sink is correctly installed, tighten the wing nuts to fix it into place
- Complete the installation of the counter
- Remove any excess sealant on the inside of the bowls



Underneath the counter



## 4. Install Sink (Continued)

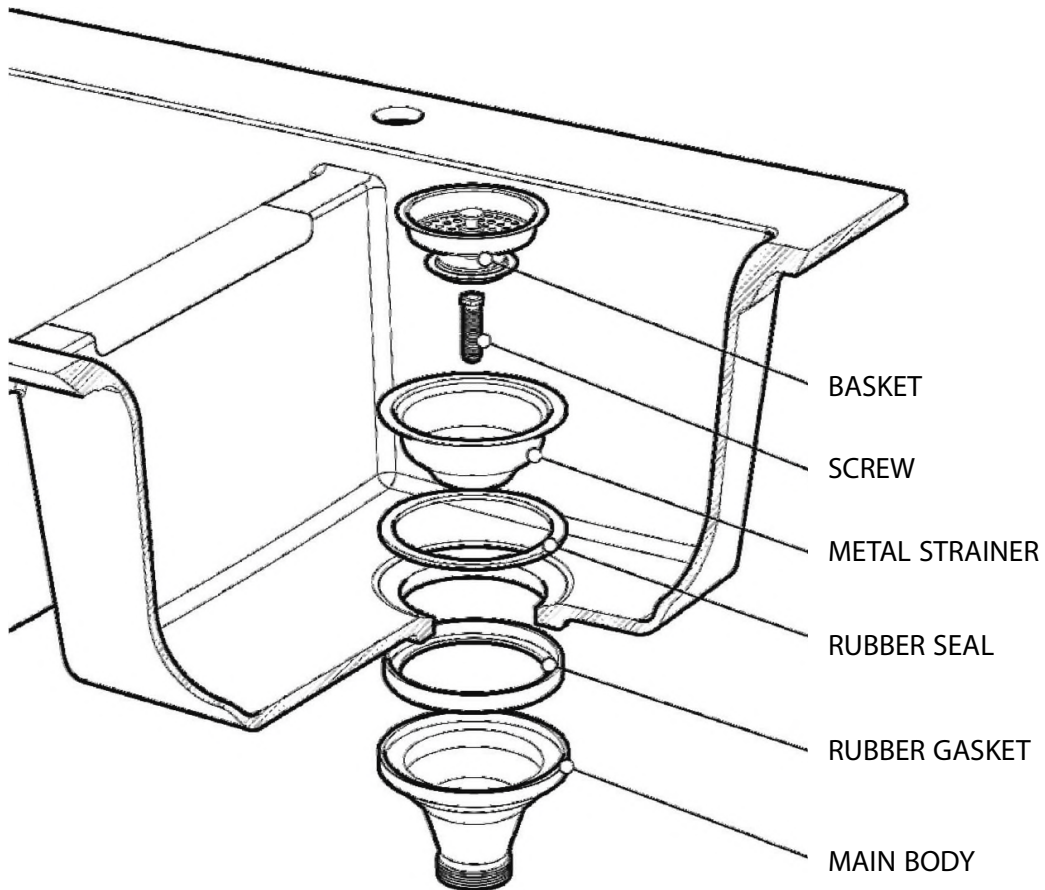




## 5. Install Drain

---

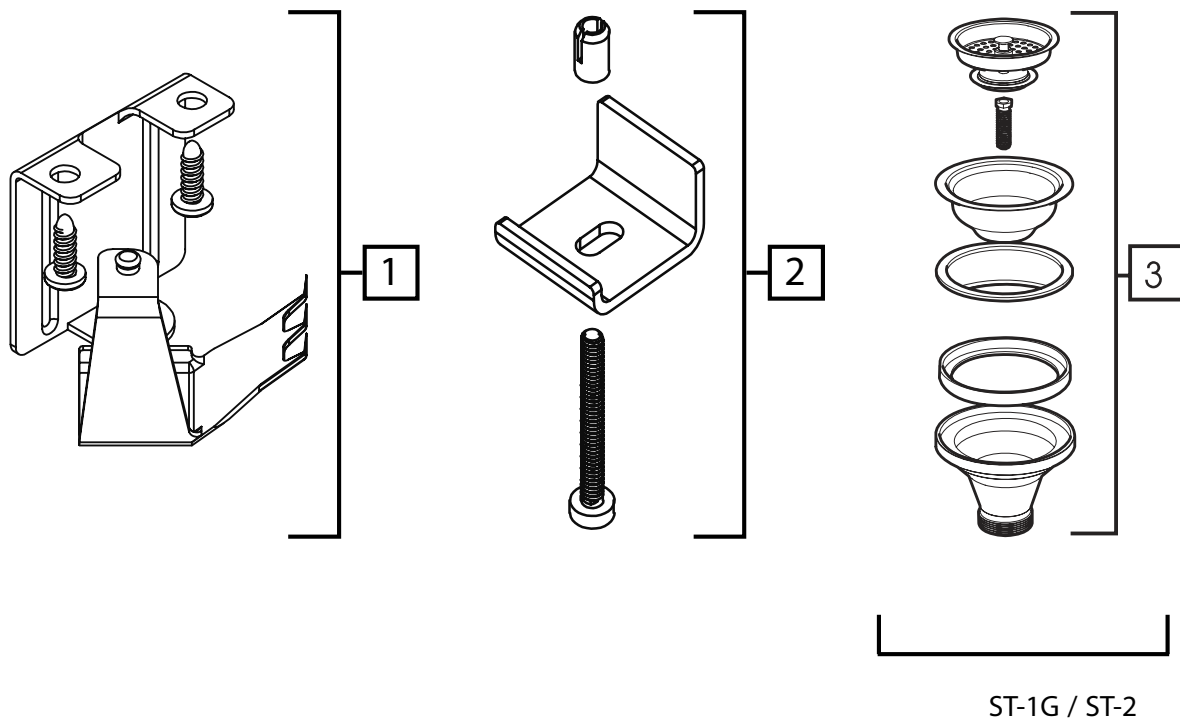
- Insert the metal strainer into the rubber seal, and then into the drain hole
- Install the rubber gasket and the main drain body underneath the sink
- Using the screw, tighten the main drain body and the metal strainer into place
- Install the basket on top of the drain installation



## 6. Install Pipes

---

- Install the faucet following the manufacturer's instructions
- Make proper water and waste pipe connections



## Maintenance

Clean your sink on a regular basis with warm soapy water. Rinse the sink after using cleaning products. Wipe the sink surface with a soft cloth to remove any liquid residue. Do not cut food directly on the surface of the sink. Do not leave sharp objects on the surface of the sink for an extended period of time. Do not use abrasive cleaning products, sanding tools, steel wool, or bleaching products

## Codes/Standards Applicable:



---

### **Kitchen Sink Warranty**

Kraus products are manufactured and tested to the highest quality standards by Kraus USA Inc. ("Kraus"). Kraus extends this warranty to the original purchaser for personal household use of the "**Kitchen Sink**" in its original location. The warranty is non-transferable.

Kraus warrants the structure and finish of the product to be free from defects in material and workmanship under normal usage for the lifetime of the product. The warranty commences from the initial date of purchase by the owner or trade professional, from an authorized Kraus dealer, through the lifetime of the original owner or end-user.

Any product reported to the authorized dealer or to Kraus as being defective within the warranty period will be repaired or replaced with a product of equal value at the option of Kraus. This warranty extends to the original owner or end-user, and is not transferable to a subsequent owner.

### **Restrictions**

This warranty does not cover antediluvian, discontinued, or display products, whether such items are purchased at discount outlets, unauthorized dealers, and/or sold on clearance.

This warranty does not cover instances of negligence, misuse, abuse, improper installation, carelessness, accident, hard water or mineral deposits, exposure to corrosive materials, misapplication, damages caused by improper maintenance, alteration of the product, or failure to follow care or installation instructions enclosed with your product. Avoid using abrasive cleaners such as powders, bleach, ammonia, alcohol, or chlorine. Avoid using abrasive pads, steel wool, or wire brushes, as these will damage and wear down the finish.

This warranty does not apply to Products that have not been installed or operated in accordance with instructions supplied by Kraus and all applicable rules, regulations, and legislation pertaining to such installations.

This warranty does not apply unless the Kraus product is installed by a fully insured and licensed trade professional. Kraus insists that such professionals have experience in the installation of bathroom and kitchen manufactured goods.

This warranty does not cover labor charges or costs of removal and reinstallation of said product.

This warranty does not allow recovery of incidental or consequential damages, such as loss of use, delay, property damage, or other consequential damages, and Kraus accepts no liability for such damages. **Due to the nature of drain usage, there is no finish warranty on any drain product (including pop-up drains, lavatory drains, and kitchen drains)**

This warranty does not cover Marine or Outdoor Installation.

Except as otherwise provided above, Kraus makes no warranties, expressed or implied, including warranties of merchantability and fitness for a particular purpose, or compliance with any code.

Shipping charges will be covered for the first (1) year of the warranted replacement part or product (HI, AK, and Puerto Rico shipping charges may apply). International shipping fees are not included.

### **Commercial Warranty**

Kraus extends the above warranty for a period of one (1) year to purchasers of products for industrial, commercial, and business use.

All incidental or consequential damages are specifically excluded. No additional warranties, express or implied are given, including but not limited to, any implied warranty of merchantability or fitness for a particular purpose.

Some states do not allow the exclusion or limitation of incidental or consequential damages or limitations on how long an implied warranty lasts, so the above limitations or exclusions may not apply to you.

This warranty gives you specific legal rights, and you may also have other rights which vary from state to state.