

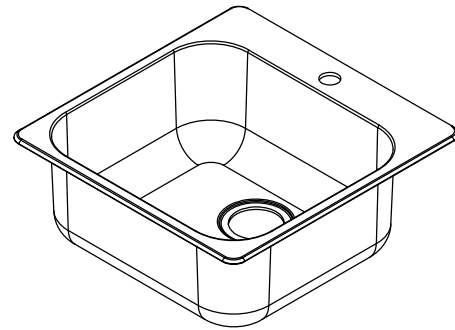
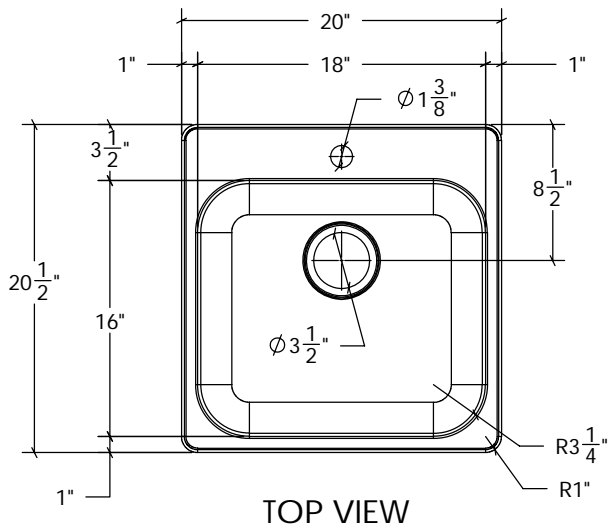
# KSS-2020

**FEATURES:**

- \* Sink Size: 20" x 20 1/2" x 8"
- \* Material: 304 Stainless Steel, 18 Gauge
- \* Single Basin Topmount Sink
- \* Strainer Drain Provided
- \* Warranty: Limited Lifetime Warranty

**CODES / STANDARDS APPLICABLE**

- \* CSA B45
- \* ASME A112.19.2



3D VIEW

