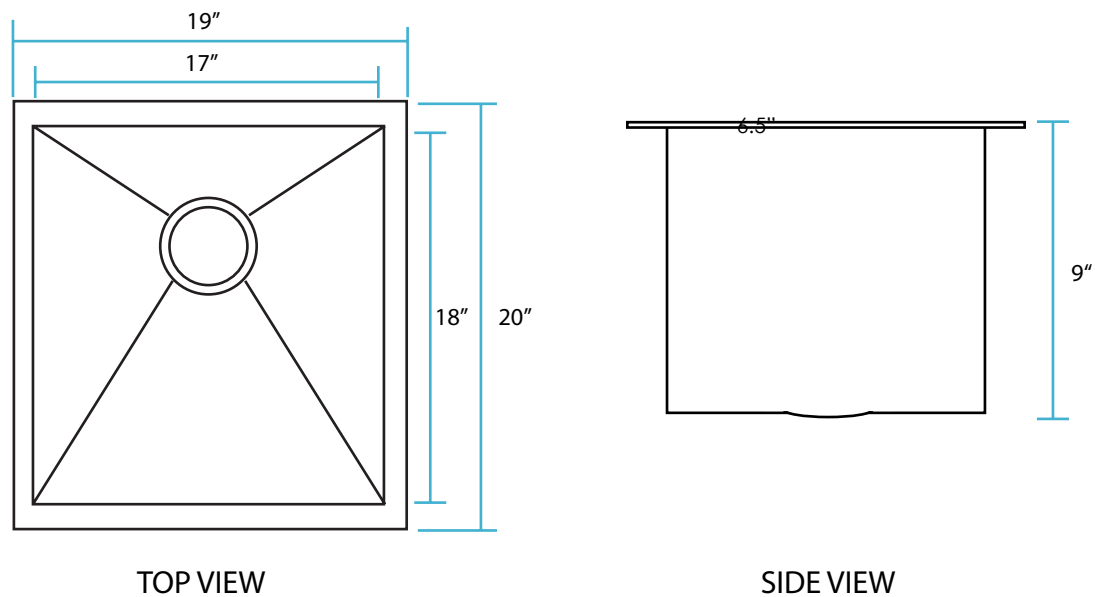


SPECIFICATION SHEET

Product Description

- 304 STAINLESS STEEL
- 18 GAUGE
- FOR UNDERMOUNT USE
- DRAIN OPENING 3 1/2"

Roughing-in Dimensions



*all around lip 1"