

Kraus Undermount Stainless Steel Sink Installation Instructions

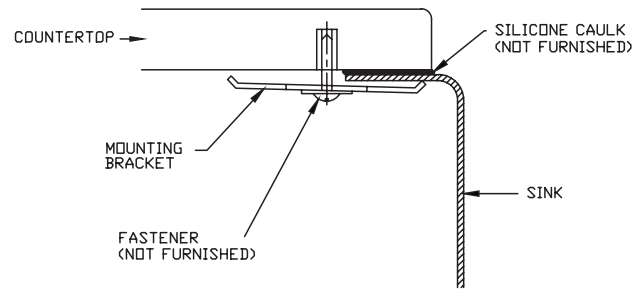
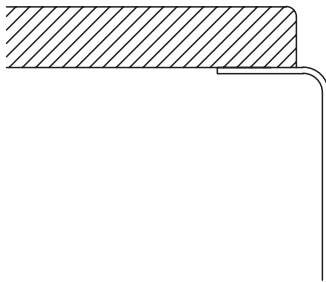
For the Attention of the Customer and the Installer:

1. For best results, Kraus recommends that the solid surface countertop cut-out should only be prepared by a professional fabricator, and undermount sinks should only be installed by a professional installer.
2. The enclosed paper template represents Kraus recommended countertop cut-out specification and sink mounting style.
3. Sink installation and countertop cut-out choices are not limited to Kraus specifications. Installer and customer must discuss these options, and reach an agreement on alternate countertop cut-out dimensions and sink installation methods prior to preparation of the countertop. Kraus will not be held responsible for alternate choices of sink installation and countertop cut-out.
4. In addition to the Kraus paper template, electronic (.dxf) files for countertop cut-outs are available on the Kraus website www.kraususa.com
5. Sink mounting requirements will vary according to countertop selection. Hardware for mounting the sink to the countertop is not included, and should be specified by the countertop fabricator for the specific countertop selection.
6. Sink may have sharp edges, please use caution when handling.
7. Inspect the sink unit prior to installation to confirm acceptance. Do not install a damaged unit.
8. Kraus USA is not responsible for any damage to sink or countertop incurred during installation.
9. Please follow all local plumbing and building codes.

Please note Kraus recommended sink mounting specifications A and B:

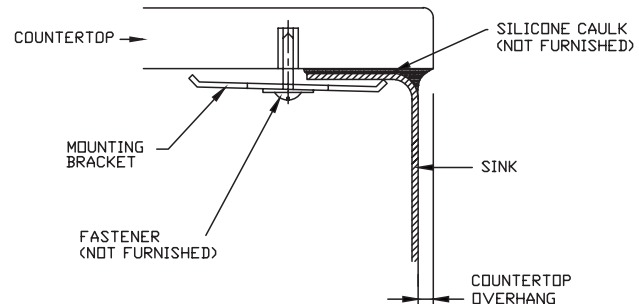
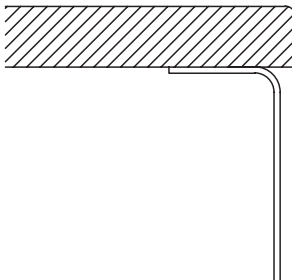
KRAUS RECOMMENDED

SPECIFICATION A: 1/4" REVEAL



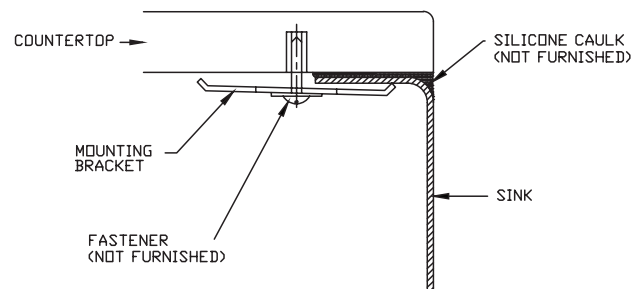
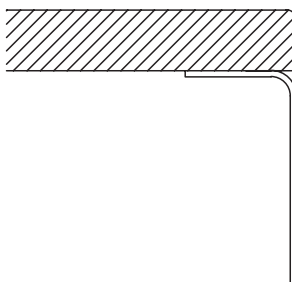
KRAUS RECOMMENDED

SPECIFICATION B: 1/8" OVERHANG



OPTIONAL CHOICE AT DISCRETION OF CUSTOMER

FLUSH FIT INSTALLATION



Flush fit installation is **NOT** recommended by Kraus.
Exposure of silicone joint is not considered aesthetically acceptable.
Precise match of sink and countertop cut-out is extremely difficult.

The following instructions apply only to Kraus-recommended sink mounting specification A and B.

1. Position undermount sink template on countertop, centered within the sink base cabinet unit. Make sure to provide adequate clearance from the countertop backsplash, with room for mounting faucet and fittings behind the sink. Avoid any potential interference with cabinet bracing.
2. Countertop cut-out may be prepared by using either the paper template included within the sink carton, or referencing the .dxf file found on www.kraususa.com
 - 2A. Trace a line around the paper template. Cut along the inside of this line to create opening in countertop.
 - 2B. Select the dxf file for the Kraus model purchased. CNC machine the countertop cut-out based on this dxf file.
3. Locate and drill the sink fastener mounting holes (following the countertop manufacturer's instructions). Type of fasteners should be recommended by countertop supplier.
4. Loosely fasten sink mounting clips to countertop.
5. Apply a bead of silicone caulking (not included) evenly along the sink flange.
6. Position and align sink to the countertop. Tighten fasteners until sink mounting clips are snug against the sink flange.
7. Check alignment of sink to cut-out opening, and adjust if necessary. Tighten fasteners evenly. DO NOT overtighten.
8. Wipe up and remove any excess silicone from the countertop cut-out edge.

Kraus Recommended Optional Accessories

NOTE: Kraus recommends using a high-quality dish grid with your stainless steel sink to protect the bottom of the basin from wear and tear. To ensure the proper fit, we recommend the following matching grids:

	DEX™ SERIES STAINLESS STEEL SINK	MODEL NO.	RECOMMENDED DISH GRID	MODEL NO.
1.	17" Undermount Single Bowl Stainless Steel Bar Sink	KD1US17B	15" Stainless Steel Kitchen Sink Grid	BG1517
2.	25" Undermount Single Bowl Stainless Steel Kitchen Sink	KD1US25B	23" Stainless Steel Kitchen Sink Grid	BG2317
3.	33" Undermount Single Bowl Stainless Steel Kitchen Sink	KD1US33B	31" Stainless Steel Kitchen Sink Grid	BG3117
4.	33" Undermount Double Bowl Stainless Steel Kitchen Sink	KD1UD33B	15" Stainless Steel Kitchen Sink Grid	BG1517 (x) 2

