

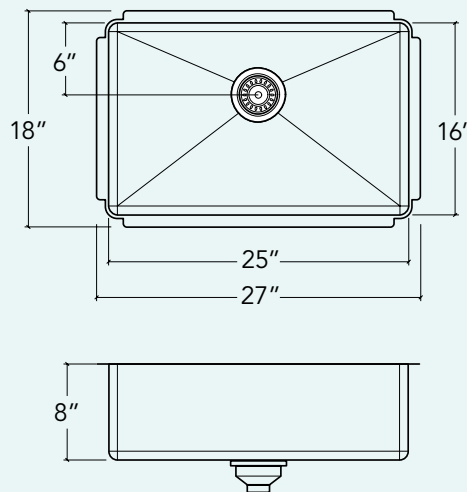
# IH75-US-27188

**ProInox H75**

**Stainless steel kitchen sink**

**Handcrafted**

Contemporary style corners [0,75"]



## Installation

Undermount

## Bowl

25" × 16" × 8"

## Overall

27" × 18" × 8"

## Recommended cabinet

30"

## Drain

Ø 3 ½"

## Packaging

28" × 21 ½" × 13"

24 lbs

## Features

- 304 brushed finish stainless steel (18/10) – 18 gauge
- Sound deadening pads for maximum noise reduction
- Drain located towards rear providing more space under the sink
- Stainless steel strainer (AA-SA-3.5-SA) and mounting hardware included
- Product certified ASME A112.19.3, CSA B45.0, and CSA B45.4

## Must-have accessories



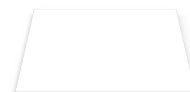
**Grid**  
IH-G-2516



**Colander**  
IH-CA-16



**Wood cutting board**  
IH-BA-16-MA

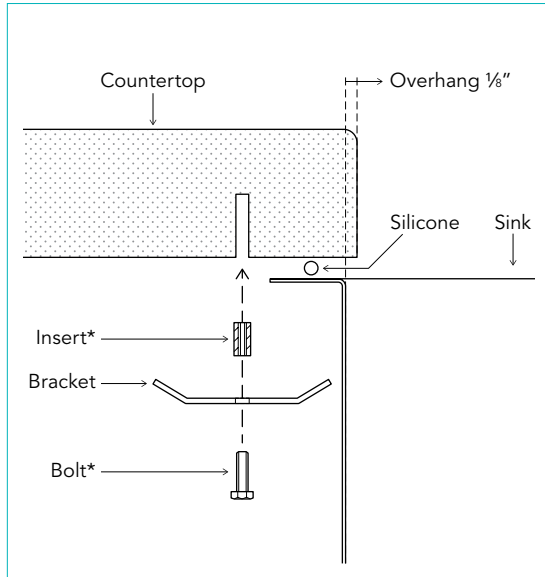


**Plastic cutting board**  
IH-BB-16-WH

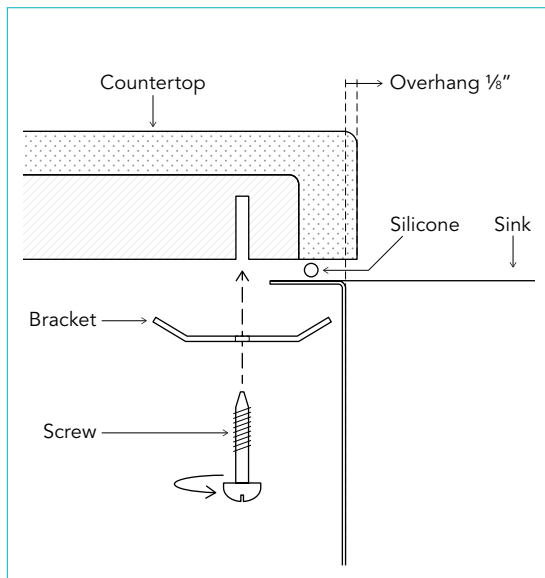
## Prolnox H75

### Undermount installation

A. Countertop made of granite, quartz, marble or other stone surface



B. Countertop made of granite, quartz, marble or other stone surface on a wood base



\* Not included

### Maintenance

Follow one simple rule to keep your sink in good condition:  
Clean it regularly.

#### Daily

Clean the sink with a sponge or a soft cloth.

Use mild soap (dish soap) or an all-purpose, non-abrasive liquid cleanser that contains no chlorines or acid.

Always rinse with warm water and wipe with a dry cloth to prevent calcium buildup.

Use a bottom grid to protect the metal from wear and scratches.

#### Precautions

Do not scrub the sink with steel wool or scouring pads.

Do not use abrasive cleansers or products containing chlorines or acid.

Do not use silver polish or grout cleaning products, which can discolor the finish and leave stains.

Use a water and vinegar solution to loosen calcium buildup.

Mustard, mayonnaise, lemon juice, grease, fat, and other food residue can cause rust and stains if left to sit. Be sure to rinse your sink with plenty of water.

Do not place a rubber mat on the bottom of your sink. Food, water, and cleaning products can cling to it and create stains.

### Warranty

Prochef offers a LIMITED LIFETIME WARRANTY on the fixed components of its stainless steel sinks. This warranty is limited to defects or damages resulting from a normal residential use. For further details on our product warranty, please refer to our catalog or Website.