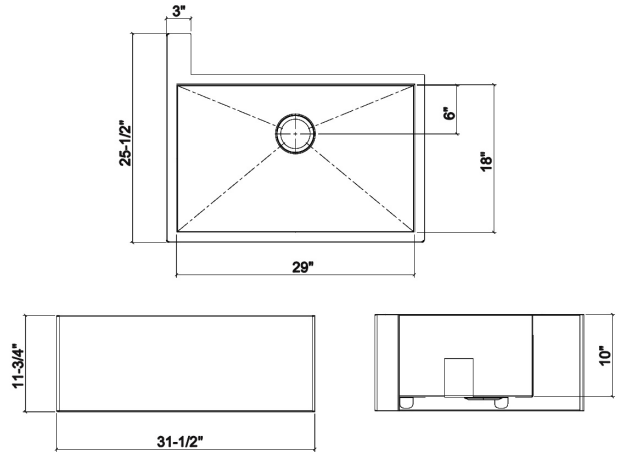
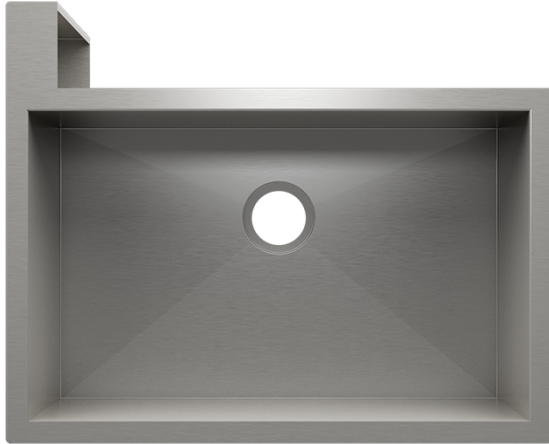


005302 | SOCIALCORNER

UNDERMOUNT WITH FLAT APRONS STAINLESS STEEL KITCHEN SINK



Specifications

Model	005302
Collection	SocialCorner
Bowl dimensions	29" x 18" x 10"
Overall dimensions	31 1/2" x 25 1/2" x 11 3/4"
Recommended cabinet	30"

Recommended accessories

Drain	100056
Grid	200328
Colander SmartStation	205019*
Colander SmartStation	205025*
Bin SmartStation	205028*
Tray SmartStation	205034*
Cutting board SmartStation	210053*
Drying Rack SmartStation	215008*

Features

- Designed by Matthew Quinn
- Handcrafted in Canada
- Commercial quality stainless steel - 16 ga thickness
- Corrosion resistant material - 304 series (18/10)
- Environmentally friendly product, 100% recyclable
- Elegant no. 4 brushed finish that matches the appliances
- Unique island corner installation to allow two people to work at the sink at the same time
- Designed for left corner installation
- Highly efficient sound deadening pads
- Practical flat sink bottom and straight bowl sides that maximize available space in the bowl
- Stylish and functional bowl bottom grooves that facilitate water drainage
- Rear 3-1/2" drain placement
- Mounting hardware included
- Certifications: ASME A112.19.3, CSA B45.0, CSA B45.4

Warranty

Home Refinements offers a LIMITED LIFETIME WARRANTY on the fixed components of its stainless steel sinks against defects of material and workmanship. For further details on our product warranty, please refer to our catalog or Web site.

*