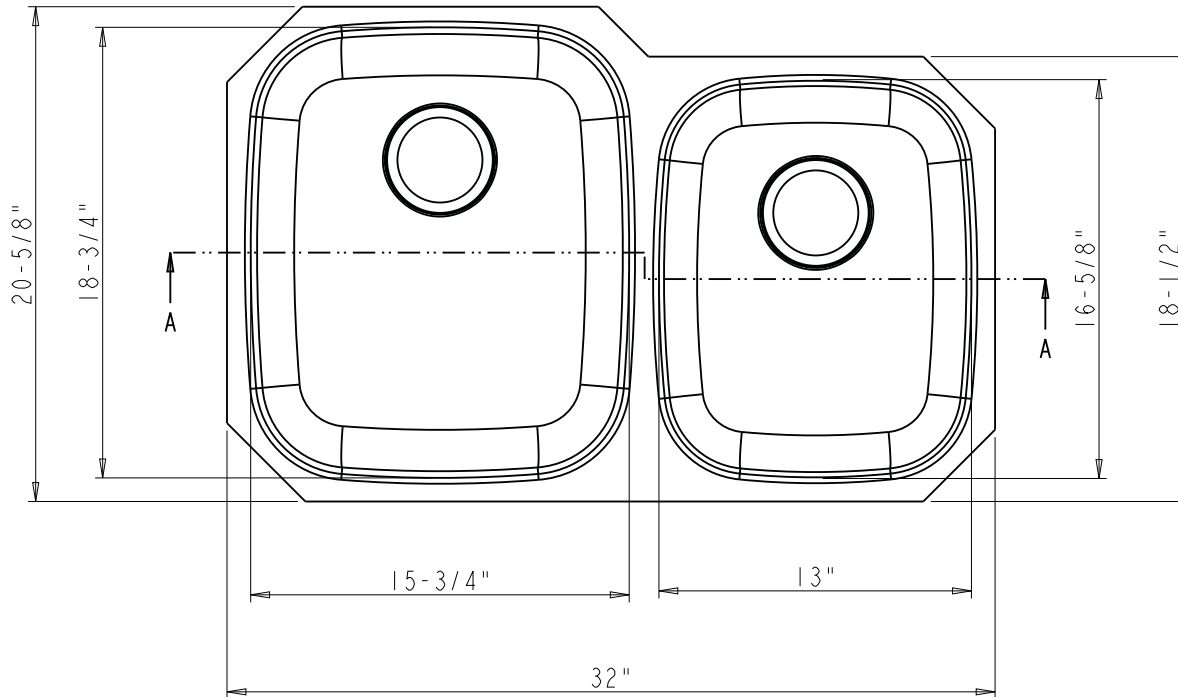
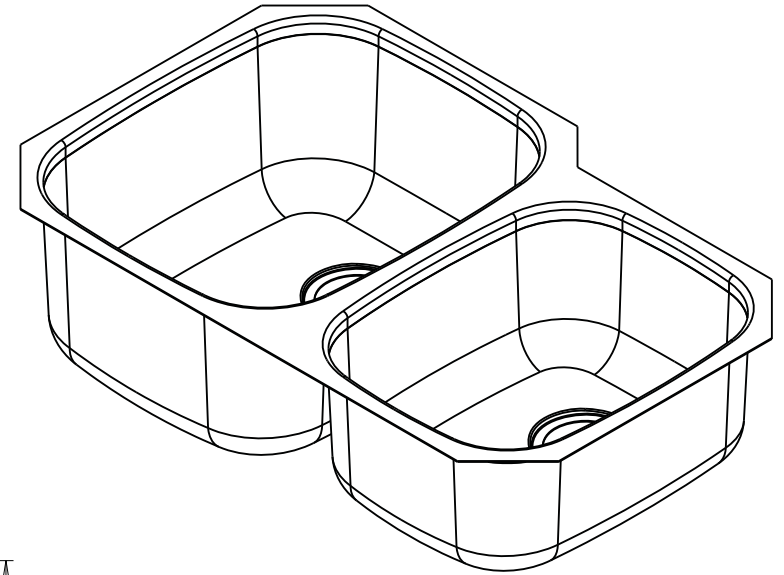


SECTION A-A  
 SCALE 1:8



<b>hardware resources</b>	ITEM:	801L-18		MATERIAL:	18 Gauge, 304SS	
	FINISH:			WEIGHT:	9	
<b>PROPRIETARY AND CONFIDENTIAL</b> THE INFORMATION CONTAINED IN THIS DRAWING IS THE SOLE PROPERTY OF HARDWARE RESOURCES INC. ANY REPRODUCTION IN PART OR AS A WHOLE WITHOUT THE WRITTEN PERMISSION OF HARDWARE RESOURCES INC. IS PROHIBITED.	TOLERANCE UNLESS OTHERWISE SPECIFIED:		UNITS:	DRAWN BY:	DATE:	
	X ±0.20			<b>Hugo.cai</b>	12-23-15	
	X.X ±0.10		SIZE:	APPROVED BY:	DATE:	
	X.XX ±0.05		SHEET:	RELEASE LEVEL:	REVISION:	
ANGULAR: ±0.5°		DO NOT SCALE DRAWING				