

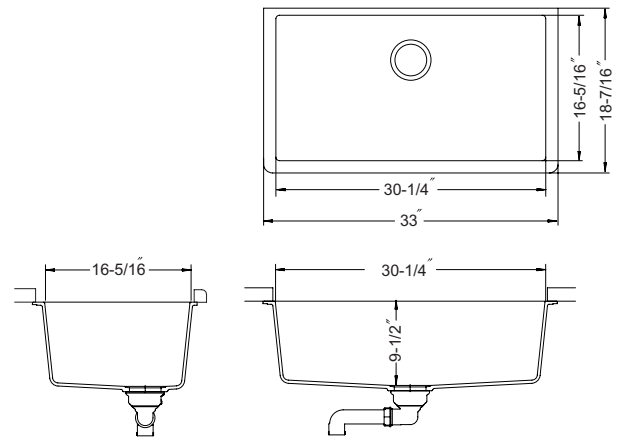
Quartztone®
Undermount Large Single Bowl
Model V-100U



V-100U

FEATURES

- 80% quartz
- 9-1/2" depth
- Inherently hygienic Non-porous surface
- Natural, antibacterial hygiene protection system
- Silky to the touch, 3 times harder than natural granite
- Food-safe, UV-stable-will not fade
- Heat resistance to +500°F
- Highest resistance to thermal shock, scratches and chips
- Color-fast throughout
- Fits 36" sink base • cUPC listed
- Supplied with cutout template, fasteners and instructions
- Lifetime Limited Warranty



OPTIONAL COLORS



Midnite Metallic
Mocha Solid
Earth Structured
Sand Solid
Cloud Solid

OVERALL DIMENSIONS	EACH BOWL	CUTOUT SIZE	PACKAGING*	WEIGHT*
33" x 18-7/16"	30-1/4" x 16-5/16"	See Template	1/10 pcs.	45/490lbs.

*Standard packaging: Single boxed /Pallet of single boxed.
All dimensions are in inches. Specifications subject to change without notice.

OPTIONAL ACCESSORIES

- Bottom Grid: 629705
- Wire Tray: WT-3500
- Strainer Options: Stainless steel strainers, Color strainers, Color Disposal flanges

Project/Job name _____

Architect/Engineer _____

Contractor _____

Model _____ Q'ty _____

Notes _____