

**PLATUS SERIES**

**Fire Clay Apron Front Single Bowl**

- Model** PTG-4300 WH - White  
 PTG-4300 BQ - Biscuit  
 PTS-4100 BL - Matte Black  
 PTS-4100 GR - Matte Gray



PTG-4300

**FEATURES**

- Apron Front Installation
- Non-porous glossy surface
- 9-1/4" depth • 3-1/2" drain opening
- Chip, crack and scratch resistant
- 2 distinctive colors
- Requires Custom Cabinet
- Supplied with fasteners and instructions
- No cut out template is supplied as each sink dimension will vary due to the nature of fireclay manufacturing process.
- Complies with ASME A112.19.2 and CSA B45.1-2013 standards Certified by ICC-ES PMG
- Lifetime Limited Warranty

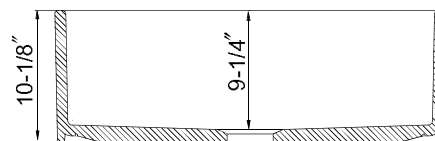
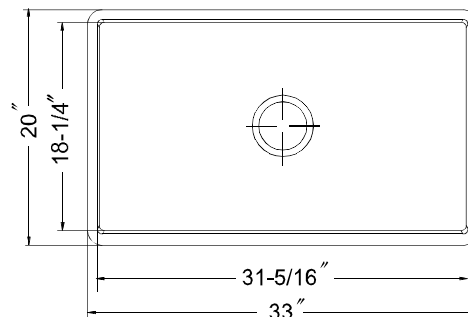


**OPTIONAL COLORS**



**White Biscuit Matte Black Matte Gray**

Color variations possible due to printing constraints.



OVERALL DIMENSIONS	EACH BOWL	CUTOUT SIZE	PACKAGING*	WEIGHT*
33" x 20"	31-5/16" x 14-1/4"	See Template	1/10 pcs.	130/1340lbs.

\*Standard packaging: Single boxed /Pallet of single boxed.  
 All dimensions are in inches. Specifications subject to change without notice.

**OPTIONAL ACCESSORIES**

- Bottom Grid: BG-7200  
 Strainer : 190-9180

Project/Job name \_\_\_\_\_

Architect/Engineer \_\_\_\_\_

Contractor \_\_\_\_\_

Model \_\_\_\_\_ Q'ty \_\_\_\_\_

Notes \_\_\_\_\_