

NOUVELLE SERIES

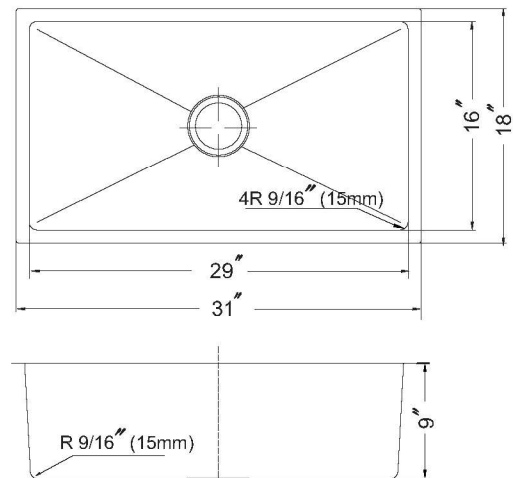
Nouvelle Undermount Gourmet Single Bowl Model NOG-4150



NOG-4150

FEATURES

- Premium grade T-304 stainless steel
- 9" depth • 18 gauge
- 15mm seamlessly drawn corner radius
- Lustrous satin with highlighted rim
- Fits 36" sink base
- 3-1/2" rear-set drain opening
- Supplied with cutout template, fasteners and instructions
- cUPC® Listed
- Lifetime Limited Warranty



OPTIONAL ACCESSORIES

Bottom Grid: BG-6400

Cutting Board : CB-4100

Strainer: 190-9180

OVERALL DIMENSIONS	EACH BOWL	CUTOUT SIZE	PACKAGING*	WEIGHT*
31" x 18"	29" x 16"	See Template	1 pc.	26 lbs.

*Standard packaging: Single boxed .

All dimensions are in inches. Specifications subject to change without notice.

Project/Job name _____

Architect/Engineer _____

Contractor _____

Model _____

Q'ty _____

Notes _____

Installation profile

